

## Directions for use of Parts Catalogue

### 1. Applicable model of machines

All component and option parts used for TM3160 tractors are listed in this parts catalogue.

#### 1) MODEL TYPE

- F..... FOUR WHEEL DRIVE
- M..... MID PTO.
- R..... FRONT/REAR HITCH & ROPS

#### 2) AREA CODE

- E4..... EUROPE

### 2. Explanation for head paragraph

| KEY | PART CODE       | DESCRIPTION | SPC | TYPE OF MODEL |        |        |        |        |        | I<br>T<br>C | L<br>O<br>I | G<br>R<br>P | REMARKS |
|-----|-----------------|-------------|-----|---------------|--------|--------|--------|--------|--------|-------------|-------------|-------------|---------|
|     |                 |             |     | SSM4EM        | SSM4EF | SSM4EG | SPM4EM | SPM4EF | SPM4EG |             |             |             |         |
| 1   | W606-201-001-20 | CASE/LOWER  | *   |               |        |        |        |        |        |             |             |             |         |
| 1A  | W607-201-001-00 | CASE/UPPER  | *   |               |        |        | 1      |        |        |             |             |             |         |
| 2   | W606-201-001-10 | CASE/LOWER  | *   |               |        |        | 1      |        |        |             |             |             |         |
| 2   | W620-100-001-00 | P.T.O.      | *   |               |        |        | 4      |        |        |             |             |             |         |
| 4   | W171-200-001-00 | WHL. SEIS   | *   |               |        |        |        |        |        |             |             |             |         |

- ① KEY shows the location of parts diagramed in the illustration.
- ② Parts numbers begin with `V` and `W` are standard parts of the market.
- ③ `LH` and `RH` on the parts name are described against the moving direction of the machine or are described on the condition how to install parts on the machines.
- ④ SPC : The following symbol classifies parts to be used for machines.
  - `\*` means standard parts.
  - `T` shows that the parts can be installed as optional parts.
  - `R` shows that the parts can be used as applicable parts to replace originally equipped parts.

- ⑤ Upper column : QTY shows the number of parts to be used for one unit of machine.

`M` is indicated for parts supplied by a meter long.

`ℓ` is indicated for parts supplied by liter.

`AR` is indicated for parts need to be adjusted or regulated.

Lower column : serial number

—229 means serial number up to 229.

230— means serial number 230 and after.

- ⑥ ITC : Interchangeability

`1`...OLD ← NEW

New parts can be used in place of the old parts.

`2`...OLD → NEW

Old parts can be used in place of the new parts.

`3`...OLD →← NEW

Old parts and new parts can not be replaced each other.

- ⑦ COL : Color code

Color is signified with color code number for colored parts.

Please see the color list shown in the next page.

- ⑧ GRP : Parts shown in this column can be replaced by SET parts.

Example : Parts marked ④ can be replaced by parts marked ⑥, and ⑦ for ⑤, so the rest follow in the same alphabetical order.

- ⑨ Remarks

\* Other maker's part code number is shown in this column.

\* When Fig. No. is shown in the Remark column of SET parts or ASSY parts, each of their component parts are listed in said Fig. No.

### 3. Color :

The following colors are used color parts.

| COLOR CODE | COLOR        | SPRAY TYPE CODE NUMBER | PAINTS 4K DRUM  | PAINTS 16K DRUM |
|------------|--------------|------------------------|-----------------|-----------------|
| 4 L        | NEO BLUE     | 1300-985-001-10        | 1300-985-003-00 | —————           |
| 5 I        | SUNSET GRAY  | 1300-959-001-10        | 1300-959-003-00 | 1300-959-004-00 |
| 7 F        | MIRROR BLACK | 1300-954-001-10        | 1300-954-003-00 | 1300-954-004-00 |

NOTE : Color code is signified only for the parts assigned by the maker as color parts.

#### 4. Serial Numbers :

- 1) For engines serial number is stamped on CYLINDER BLOCK ASSY.

Please see Fig. No. 5-1.

- 2) For chassies serial number is shown on the LABEL.

Please see



#### 5. Parts Order

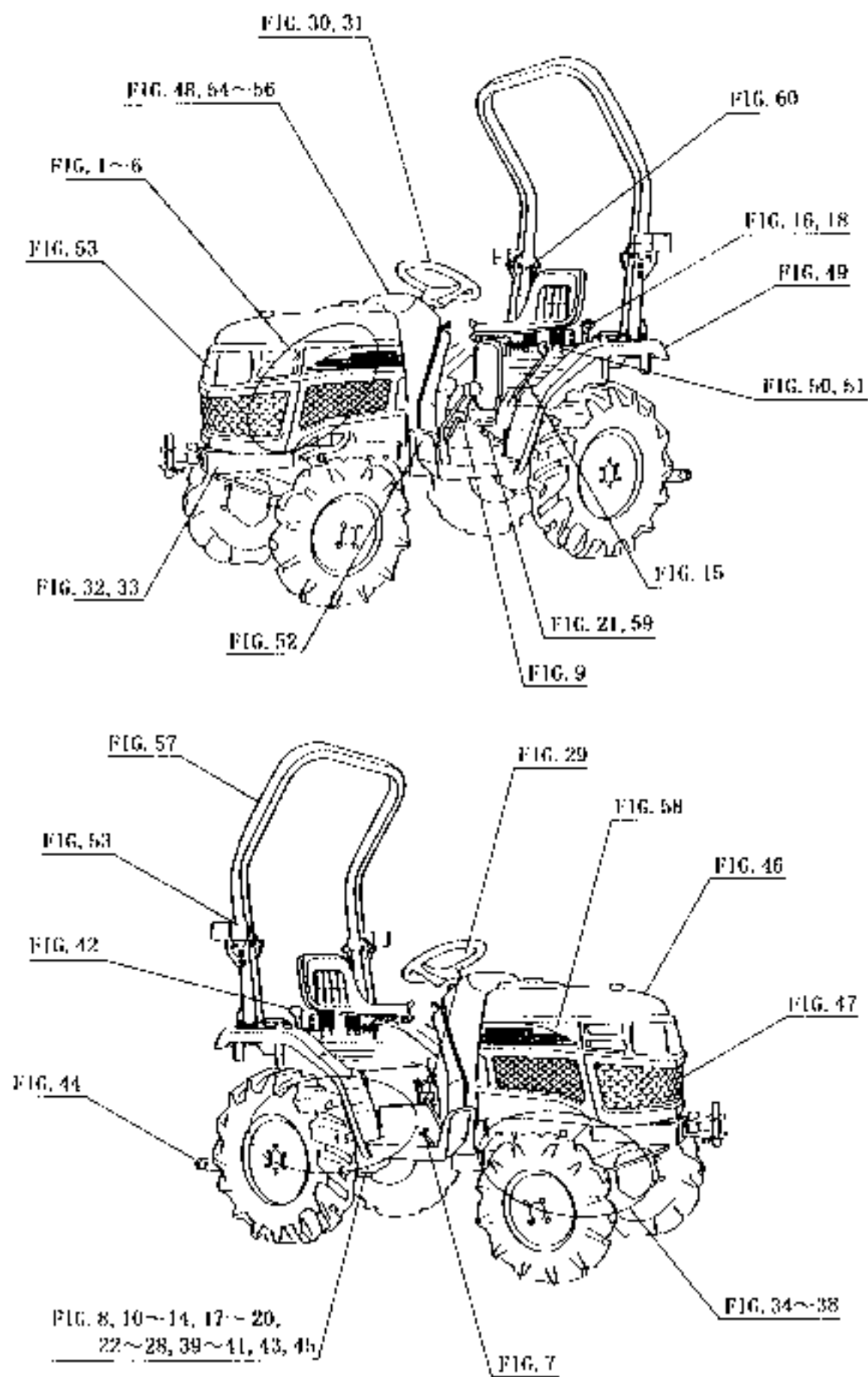
- 1) Parts numbers listed in the parts catalogue are all registered in “ISEKI on-line computer”.
- 2) When you order parts, please make sure of correct numbers.
- 3) When substitute parts is available, the part number ordered will be automatically turned to a new part number.
- 4) Please be sure to use “ISEKI GENUINE PARTS”.

Any other similar parts other than ISEKI parts when used may cause a trouble that makes us unable to repair or guarantee the warrant.



\*\*\* Structure Table of Model \*\*\*

|  |  |  |  |  |  |  |  |  |  |  |  |
|--|--|--|--|--|--|--|--|--|--|--|--|
| <p>M<br/>O<br/>D<br/>E<br/>L</p> <p>FIG.</p> | <p>T<br/>M<br/>3 F F F<br/>1 M M R<br/>6 E R E<br/>0 4 E 4<br/>4</p> |  |  |  |  |  |  |  |  |  |  |
| <p>46</p>                                    | <p>* * *</p>   |  |  |  |  |  |  |  |  |  |  |
| <p>47</p>                                    | <p>* * *</p>   |  |  |  |  |  |  |  |  |  |  |
| <p>48</p>                                    | <p>* * *</p>   |  |  |  |  |  |  |  |  |  |  |
| <p>49</p>                                    | <p>* * *</p>   |  |  |  |  |  |  |  |  |  |  |
| <p>50</p>                                    | <p>* * *</p>   |  |  |  |  |  |  |  |  |  |  |
| <p>51</p>                                    | <p>* * *</p>   |  |  |  |  |  |  |  |  |  |  |
| <p>52</p>                                    | <p>* * *</p>   |  |  |  |  |  |  |  |  |  |  |
| <p>53</p>                                    | <p>* * *</p>   |  |  |  |  |  |  |  |  |  |  |
| <p>54</p>                                    | <p>* * *</p>   |  |  |  |  |  |  |  |  |  |  |
| <p>55</p>                                    | <p>* * *</p>   |  |  |  |  |  |  |  |  |  |  |
| <p>56</p>                                    | <p>* * *</p>   |  |  |  |  |  |  |  |  |  |  |
| <p>57</p>                                    | <p>* *</p>   |  |  |  |  |  |  |  |  |  |  |
| <p>58</p>                                    | <p>* * *</p>   |  |  |  |  |  |  |  |  |  |  |
| <p>59</p>                                    | <p>* * *</p>   |  |  |  |  |  |  |  |  |  |  |
| <p>60</p>                                    | <p>* * *</p>   |  |  |  |  |  |  |  |  |  |  |
| <p>61</p>                                    | <p>* * *</p>   |  |  |  |  |  |  |  |  |  |  |
| <p>62</p>                                    | <p>T</p>   |  |  |  |  |  |  |  |  |  |  |
| <p>63</p>                                    | <p>TTT</p>   |  |  |  |  |  |  |  |  |  |  |
| <p>64</p>                                    | <p>TTT</p>   |  |  |  |  |  |  |  |  |  |  |
| <p>65</p>                                    | <p>T</p>   |  |  |  |  |  |  |  |  |  |  |
| <p>66</p>                                    | <p>TTT</p>   |  |  |  |  |  |  |  |  |  |  |
| <p>67</p>                                    | <p>TTT</p>   |  |  |  |  |  |  |  |  |  |  |
| <p>68</p>                                    | <p>T</p>   |  |  |  |  |  |  |  |  |  |  |
| <p>69</p>                                    | <p>T</p>   |  |  |  |  |  |  |  |  |  |  |
| <p>70</p>                                    | <p>TTT</p>   |  |  |  |  |  |  |  |  |  |  |
| <p>71</p>                                    | <p>* * *</p>   |  |  |  |  |  |  |  |  |  |  |
| <p>72</p>                                    | <p>* * *</p>   |  |  |  |  |  |  |  |  |  |  |



# Contents

## TM3160

### ENGINE(E393B06)

|                                  |         |
|----------------------------------|---------|
| CYLINDER HEAD.....               | Fig. 1  |
| CYLINDER HEAD COVER.....         | Fig. 2  |
| INLET MANIFOLD.....              | Fig. 3  |
| EXHAUST MANIFOLD.....            | Fig. 4  |
| CYLINDER BLOCK.....              | Fig. 5  |
| BEARING/UNDER SIZE (OPTION)..... | Fig. 6  |
| OIL PAN.....                     | Fig. 7  |
| REAR PLATE.....                  | Fig. 8  |
| TIMING GEAR CASE.....            | Fig. 9  |
| HANGER.....                      | Fig. 10 |
| VALVE.....                       | Fig. 11 |
| CAM SHAFT.....                   | Fig. 12 |
| PISTON.....                      | Fig. 13 |
| PISTON/OVER SIZE (OPTION).....   | Fig. 14 |
| CRANK SHAFT.....                 | Fig. 15 |
| OIL PUMP.....                    | Fig. 16 |
| WATER PUMP.....                  | Fig. 17 |
| COOLING FAN.....                 | Fig. 18 |
| INJECTION NOZZLE.....            | Fig. 19 |
| INJECTION PUMP.....              | Fig. 20 |
| FUEL PIPE.....                   | Fig. 21 |
| ADAPTER.....                     | Fig. 22 |
| ELECTRIC (1).....                | Fig. 23 |
| ELECTRIC (2).....                | Fig. 24 |

REPAIR PARTS (OPTION)..... Fig. 25

COMPONENT PARTS

    FOR 6215-300-037-00 ON Fig.19..... Fig. 26

COMPONENT PARTS

    FOR 6215-600-109-30 ON Fig.20..... Fig. 27

COMPONENT PARTS

    FOR 6281-100-014-00 ON Fig.23..... Fig. 28

COMPONENT PARTS

    FOR 6281-200-007-00 ON Fig.23..... Fig. 29



# Contents

## CHASSIS

|                                     |         |
|-------------------------------------|---------|
| RADIATOR SYSTEM.....                | Fig. 1  |
| MUFFLER SYSTEM.....                 | Fig. 2  |
| AIR CLEANER SYSTEM.....             | Fig. 3  |
| FILTER SYSTEM.....                  | Fig. 4  |
| FUEL TANK SYSTEM.....               | Fig. 5  |
| BATTERY SYSTEM.....                 | Fig. 6  |
| ACCELERATOR SYSTEM.....             | Fig. 7  |
| MAIN CLUTCH,INPUT SHAFT SYSTEM..... | Fig. 8  |
| PEDAL (CLUTCH) SYSTEM.....          | Fig. 9  |
| CASE (TRANSMISSION) SYSTEM.....     | Fig. 10 |
| GEAR (INPUT) SYSTEM.....            | Fig. 11 |
| PINION (DRIVE) SYSYTEM.....         | Fig. 12 |
| GEAR (REVERSE) SYSTEM.....          | Fig. 13 |
| GEAR (4WD) SYSTEM.....              | Fig. 14 |
| LEVER (MAIN) SYSTEM.....            | Fig. 15 |
| LEVER (SUB) SYSTEM.....             | Fig. 16 |
| CHANGE (4WD) SYSTEM.....            | Fig. 17 |
| CHANGE (MAIN/SUB) SYSTEM.....       | Fig. 18 |
| GEAR (PTO) SYSTEM.....              | Fig. 19 |
| SHAFT (PTO) SYSTEM.....             | Fig. 20 |
| LEVER (PTO) SYSTEM.....             | Fig. 21 |
| SHIELD COVER SYSTEM.....            | Fig. 22 |
| MID PTO SYSTEM(1/2)(2/2).....       | Fig. 23 |
| DIFF CASE SYSTEM.....               | Fig. 24 |
| REAR AXLE HOUSING SYSTEM.....       | Fig. 25 |
| SHAFT (WHEEL) SYSTEM.....           | Fig. 26 |
| PEDAL (DIFF-LOCK) SYSTEM.....       | Fig. 27 |

|                                       |         |
|---------------------------------------|---------|
| BRAKE SYSTEM.....                     | Fig. 28 |
| PEDAL (BRAKE) SYSTEM(1/2)(2/2).....   | Fig. 29 |
| STEERING WHEEL SYSTEM.....            | Fig. 30 |
| STEERING (MANUAL) SYSTEM.....         | Fig. 31 |
| BRACKET (AXLE) SYSTEM.....            | Fig. 32 |
| HITCH (FRONT) SYSTEM (R TYPE).....    | Fig. 33 |
| SHAFT (DRIVE) SYSTEM.....             | Fig. 34 |
| BEVEL CASE SYSTEM.....                | Fig. 35 |
| AXLE HOUSING SYSTEM.....              | Fig. 36 |
| FINAL GEAR CASE SYSTEM.....           | Fig. 37 |
| TIE ROD SYSTEM.....                   | Fig. 38 |
| CASE (CYLINDER) SYSTEM.....           | Fig. 39 |
| LIFT ARM SYSTEM.....                  | Fig. 40 |
| CYLINDER SYSTEM.....                  | Fig. 41 |
| CONTROL SYSTEM.....                   | Fig. 42 |
| PIPING SYSTEM.....                    | Fig. 43 |
| LINK (3P) SYSTEM.....                 | Fig. 44 |
| HITCH (DRAW BAR) SYSTEM (R TYPE)..... | Fig. 45 |
| HOOD SYSTEM(1/2)(2/2).....            | Fig. 46 |
| GRILLE SYSTEM.....                    | Fig. 47 |
| STEERING COVER SYSTEM.....            | Fig. 48 |
| FENDER SYSTEM.....                    | Fig. 49 |
| SEAT BASE SYSTEM.....                 | Fig. 50 |
| FRAME SYSTEM.....                     | Fig. 51 |
| STEP SYSTEM.....                      | Fig. 52 |
| LAMP SYSTEM.....                      | Fig. 53 |
| PANEL SYSTEM.....                     | Fig. 54 |
| SWITCH SYSTEM.....                    | Fig. 55 |
| HARNESS SYSTEM.....                   | Fig. 56 |
| ROPS SYSTEM (R TYPE).....             | Fig. 57 |
| ORNAMENT,LABEL.....                   | Fig. 58 |
| LABEL (CONTROL).....                  | Fig. 59 |
| LABEL (CAUTION).....                  | Fig. 60 |

TOOLS..... Fig. 61

## OPTIONAL PARTS

MID PTO SET (EXCEPT M TYPE)

(OPTION)(1/2)(2/2)..... Fig. 62

REAR WHEEL (TURF) SYSTEM (OPTION)..... Fig. 63

REAR WHEEL SYSTEM (OPTION)..... Fig. 64

HITCH (FRONT) SET (EXCEPT R TYPE)

(OPTION)..... Fig. 65

FRONT WHEEL SYSTEM (OPTION)..... Fig. 66

FRONT WHEEL (TURF) SYSTEM (OPTION)..... Fig. 67

HITCH (DRAW BAR) SET (EXCEPT R TYPE)

(OPTION)..... Fig. 68

ROPS SET (EXCEPT R TYPE) (OPTION)..... Fig. 69

WEIGHT (BUMPER) SYSTEM (OPTION)..... Fig. 70

## COMPONENT PARTS

COMPONENT PARTS

FOR K211-001-000-00 ON Fig.41..... Fig. 71

COMPONENT PARTS

FOR 1682-406-210-10 ON Fig.31..... Fig. 72

WIRING DIAGRAM (1)

WIRING DIAGRAM (2)



# ENGINE

E393B06...TM3160





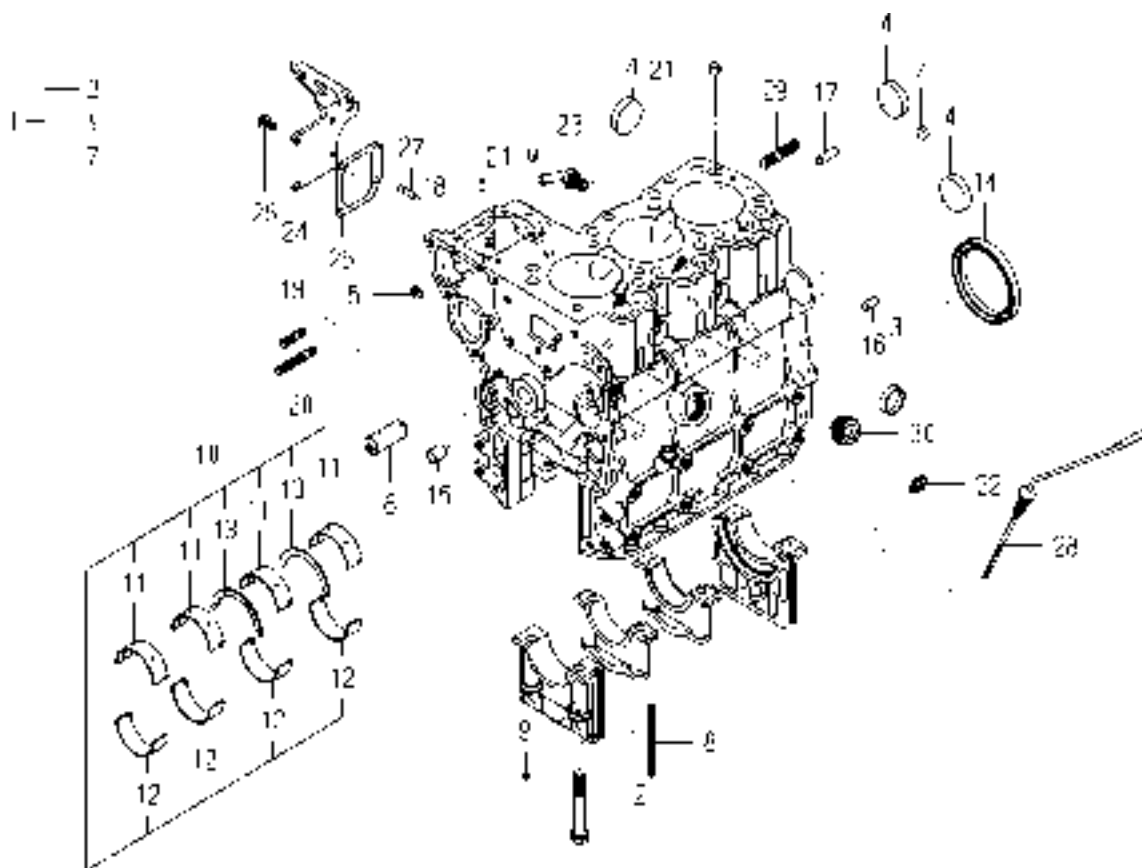








**FIG. 5 CYLINDER BLOCK**



6003-201Y-0100

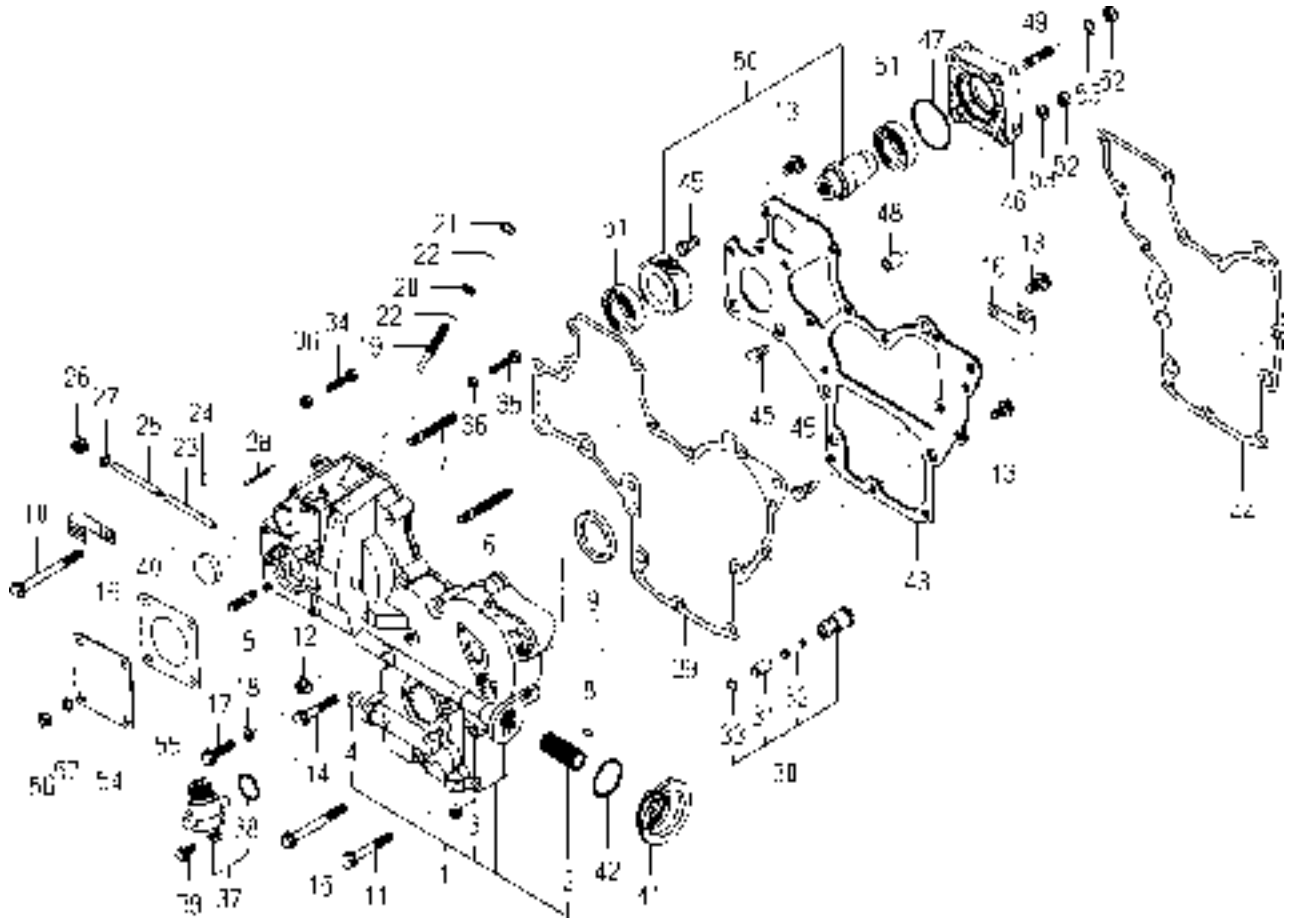
| KEY | PART CODE       | DESCRIPTION          | S<br>P<br>C | TYPE OF MODEL |  | I<br>T<br>C | C<br>O<br>L | G<br>R<br>P | REMARKS |
|-----|-----------------|----------------------|-------------|---------------|--|-------------|-------------|-------------|---------|
|     |                 |                      |             | E393B06       |  |             |             |             |         |
| 1   | 6211-210-050-20 | CYLINDERBLOCK ASSY   | *           | 1             |  |             |             |             |         |
| 2   | 6209-000-004-10 | BOLT                 | *           | 8             |  |             |             |             |         |
| 3   | 6209-610-001-10 | CUP/SEALING/28       | *           | 2             |  |             |             |             |         |
| 4   | 6209-610-009-00 | CUP/SEALING/36       | *           | 4             |  |             |             |             |         |
| 5   | 6509-605-019-10 | PLUG                 | *           | 3             |  |             |             |             |         |
| 6   | 6212-531-005-10 | PIN/IDLEGEAR         | *           | 1             |  |             |             |             |         |
| 7   | 6209-610-008-00 | CUP/SEALING/12       | *           | 1             |  |             |             |             |         |
| 8   | 6211-258-001-00 | SEAL,BEARING CAP     | *           | 4             |  |             |             |             |         |
| 9   | 6211-258-002-00 | SEAL,BEARING CAP/7   | *           | 2             |  |             |             |             |         |
| 10  | 6211-510-001-00 | METAL,CRANK SET      | *           | 1             |  |             |             |             |         |
| 11  | 6211-511-003-00 | BEARING/CRANK/UPPER  | *           | 4             |  |             |             |             |         |
| 12  | 6211-511-004-00 | BEARING/CRANK/LOWER  | *           | 4             |  |             |             |             |         |
| 13  | 6211-599-001-10 | BEARING,THRUST CRANK | *           | 2             |  |             |             |             |         |
| 14  | 6209-625-012-00 | OILSEAL              | *           | 1             |  |             |             |             |         |
| 15  | 6209-749-001-20 | PIN/TUBE             | *           | 2             |  |             |             |             |         |
| 16  | 6213-129-006-00 | PIN/STRAIGHT         | *           | 1             |  |             |             |             |         |
| 17  | V523-100-802-40 | PIN                  | *           | 1             |  |             |             |             |         |
| 18  | 6213-129-005-00 | PIN/STRAIGHT         | *           | 2             |  |             |             |             |         |
| 19  | 6904-110-818-00 | STUD                 | *           | 1             |  |             |             |             |         |
| 20  | 6904-110-840-00 | STUD/M8X40           | *           | 1             |  |             |             |             |         |
| 21  | 6294-453-002-00 | DOWEL                | *           | 2             |  |             |             |             |         |
| 22  | 6909-902-299-00 | NIPPLE               | *           | 1             |  |             |             |             |         |
| 23  | 6213-721-007-00 | PIPE/WATERDRAIN      | *           | 1             |  |             |             |             |         |
| 24  | 6211-291-016-00 | COVER/INJECTIONPUMP  | *           | 1             |  |             |             |             |         |
| 25  | 6211-292-001-20 | GASKET/COVER         | *           | 1             |  |             |             |             |         |
| 26  | V230-360-601-20 | FLANGE BOLT          | *           | 4             |  |             |             |             |         |
| 27  | 6215-549-001-10 | PIN,STARTING SPRING  | *           | 1             |  |             |             |             |         |
| 28  | 6211-760-012-20 | LEVELGAGE            | *           | 1             |  |             |             |             |         |
| 29  | 6209-300-013-00 | STUD                 | *           | 2             |  |             |             |             |         |
| 30  | 6209-605-005-10 | PLUG/PT3/4           | *           | 1             |  |             |             |             |         |







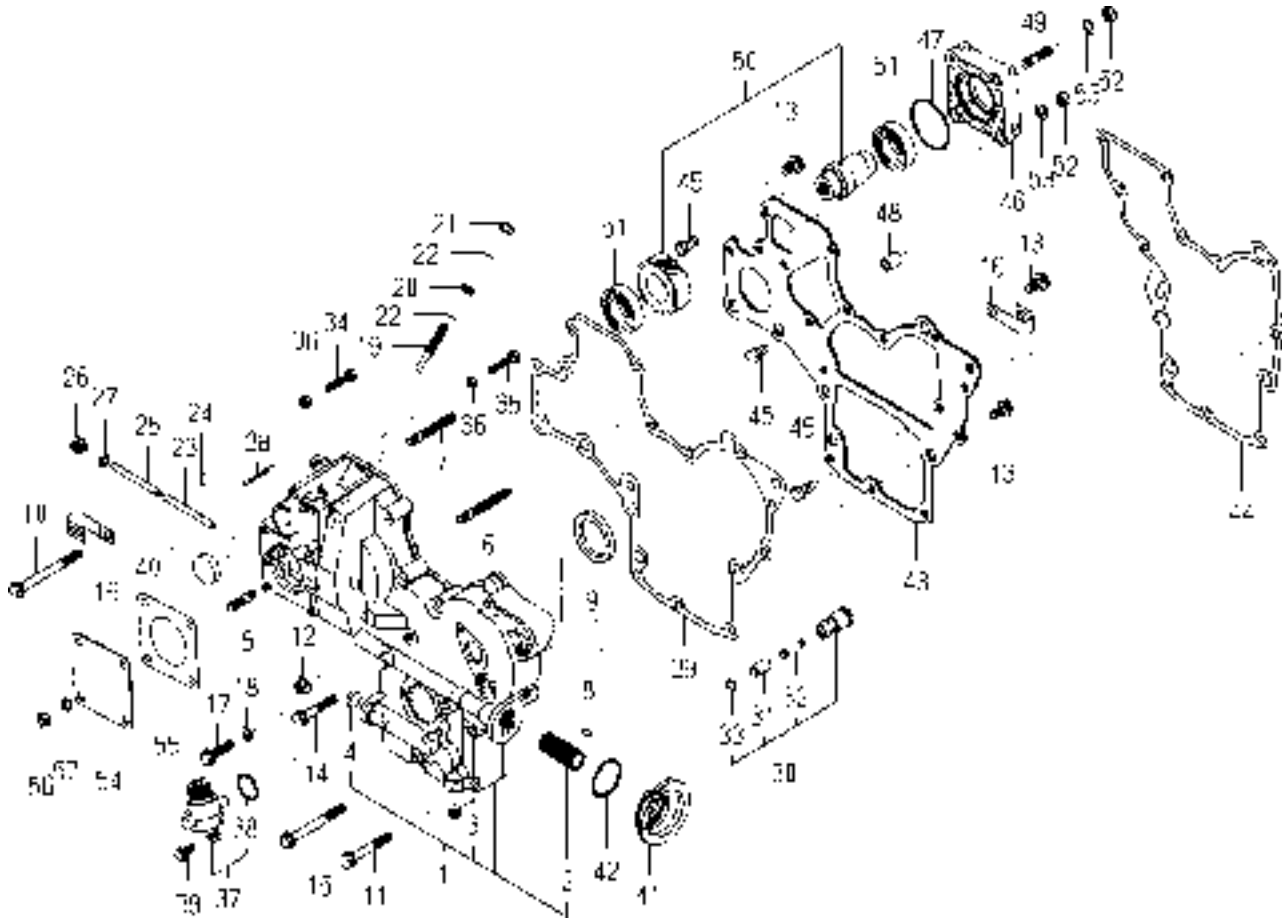
**FIG. 9 TIMING GEAR CASE**



6003-240H-0100,6003-240H-0200

| KEY | PART CODE       | DESCRIPTION         | S<br>P<br>C | TYPE OF MODEL |  | I<br>T<br>C | C<br>O<br>L | G<br>R<br>P | REMARKS |
|-----|-----------------|---------------------|-------------|---------------|--|-------------|-------------|-------------|---------|
|     |                 |                     |             | E393B06       |  |             |             |             |         |
| 1   | 6211-310-017-30 | GEARCASE ASSY       | *           | 1             |  |             |             |             |         |
| 2   | 6213-319-004-00 | CONNECTOR/OILFILTER | *           | 1             |  |             |             |             |         |
| 3   | 6509-605-019-10 | PLUG                | *           | 1             |  |             |             |             |         |
| 4   | 6209-610-002-10 | CUP/SEALING/16      | *           | 1             |  |             |             |             |         |
| 5   | 6904-110-822-00 | STUD                | *           | 4             |  |             |             |             |         |
| 6   | 6904-110-855-00 | STUD                | *           | 2             |  |             |             |             |         |
| 7   | 6904-110-850-00 | STUD                | *           | 1             |  |             |             |             |         |
| 8   | 6213-129-005-00 | PIN/STRAIGHT        | *           | 1             |  |             |             |             |         |
| 9   | 6209-625-002-00 | SEAL,OIL            | *           | 1             |  |             |             |             |         |
| 10  | V231-360-808-50 | FLANGEBOLT          | *           | 1             |  |             |             |             |         |
| 11  | V231-360-805-50 | FLANGEBOLT          | *           | 2             |  |             |             |             |         |
| 12  | 3817-401-001-00 | NUT/M08             | *           | 1             |  |             |             |             |         |
| 13  | V231-360-801-60 | FLANGEBOLT          | *           | 3             |  |             |             |             |         |
| 14  | V231-360-804-50 | FLANGEBOLT          | *           | 5             |  |             |             |             |         |
| 15  | V231-360-807-50 | FLANGEBOLT          | *           | 1             |  |             |             |             |         |
| 16  | 1425-621-004-00 | HOLDER/JE/9-9       | *           | 2             |  |             |             |             |         |
| 17  | V231-360-803-00 | FLANGEBOLT          | *           | 1             |  |             |             |             |         |
| 18  | 6209-500-003-00 | WASHER/08X14X01     | *           | 1             |  |             |             |             |         |
| 19  | 6215-546-003-10 | STOPPER/FULLLOAD    | *           | 1             |  |             |             |             |         |
| 20  | 6209-409-001-00 | NUT/M8              | *           | 1             |  |             |             |             |         |
| 21  | V341-120-008-00 | NUT,CAP/M 8         | *           | 1             |  |             |             |             |         |
| 22  | 6209-920-002-00 | PACKING             | *           | 2             |  |             |             |             |         |
| 23  | 6215-542-004-20 | PIN/ARM             | *           | 1             |  |             |             |             |         |
| 24  | P117-303-003-00 | PIN/SNAP            | *           | 2             |  |             |             |             |         |
| 25  | 6215-542-005-10 | PIN                 | *           | 1             |  |             |             |             |         |
| 26  | 6209-600-004-00 | PLUG/SCREW          | *           | 1             |  |             |             |             |         |
| 27  | 6209-500-003-00 | WASHER/08X14X01     | *           | 1             |  |             |             |             |         |
| 28  | 6209-740-001-00 | PIN,GROOVE          | *           | 1             |  |             |             |             |         |
| 29  | 6211-312-003-20 | GASKET/GEARCASE     | *           | 1             |  |             |             |             |         |
| 30  | 6213-160-002-20 | VALVE/RELIEF ASSY   | *           | 1             |  |             |             |             |         |

## FIG. 9 TIMING GEAR CASE



6003-240H-0100,6003-240H-0200

| KEY | PART CODE       | DESCRIPTION          | S<br>P<br>C | TYPE OF MODEL |  | I<br>T<br>C | C<br>O<br>L | G<br>R<br>P | REMARKS |
|-----|-----------------|----------------------|-------------|---------------|--|-------------|-------------|-------------|---------|
|     |                 |                      |             | E393B06       |  |             |             |             |         |
| 31  | 6213-161-001-20 | PISTON/VALVE/RELIEF  | *           | 1             |  |             |             |             |         |
| 32  | 6213-164-001-00 | SPRING/RELIEF VALVE  | *           | 1             |  |             |             |             |         |
| 33  | V705-140-012-00 | RING,SNAP/12 C       | *           | 1             |  |             |             |             |         |
| 34  | 6209-050-001-00 | BOLT/M6              | *           | 1             |  |             |             |             |         |
| 35  | 6209-050-002-00 | BOLT/M6              | *           | 1             |  |             |             |             |         |
| 36  | 6909-110-406-00 | NUT                  | *           | 2             |  |             |             |             |         |
| 37  | 6219-310-003-20 | DRIVE/TACHOMETE ASSY | *           | 1             |  |             |             |             |         |
| 38  | V723-102-002-40 | RING/O               | *           | 1             |  |             |             |             |         |
| 39  | V230-360-601-60 | FLANGEBOLT           | *           | 2             |  |             |             |             |         |
| 40  | 3625-540-004-00 | CAP,BLANK/30         | *           | 1             |  |             |             |             |         |
| 41  | 6213-211-001-10 | SPACER,OIL FILTER    | *           | 1             |  |             |             |             |         |
| 42  | V723-102-003-60 | O-RING               | *           | 1             |  |             |             |             |         |
| 43  | 6211-311-011-20 | PLATE/FRONT          | *           | 1             |  |             |             |             |         |
| 44  | 6211-312-002-30 | GASKET/PLATE         | *           | 1             |  |             |             |             |         |
| 45  | 6902-050-816-00 | BOLT                 | *           | 3             |  |             |             |             |         |
| 46  | 6211-319-003-00 | SPACER               | *           | 1             |  |             |             |             |         |
| 47  | V723-102-005-00 | O-RING 1A S50        | *           | 1             |  |             |             |             |         |
| 48  | 6209-749-001-20 | PIN/TUBE             | *           | 2             |  |             |             |             |         |
| 49  | 6904-110-822-00 | STUD                 | *           | 1             |  |             |             |             |         |
| 50  | 6212-530-005-20 | SHAFT/HYDRAULIC ASSY | *           | 1             |  |             |             |             |         |
| 51  | V600-110-600-50 | BEARING,RB/6005      | *           | 2             |  |             |             |             |         |
| 52  | 6909-110-408-00 | NUT/M8               | *           | 4             |  |             |             |             |         |
| 53  | V401-160-008-00 | WASHER,SP/M 8        | *           | 4             |  |             |             |             |         |
| 54  | 6511-321-083-00 | COVER                | *           | 1             |  |             |             |             |         |
| 55  | 6211-322-002-00 | GASKET/COVER         | *           | 1             |  |             |             |             |         |
| 56  | 6909-110-408-00 | NUT/M8               | *           | 4             |  |             |             |             |         |
| 57  | V401-160-008-00 | WASHER,SP/M 8        | *           | 4             |  |             |             |             |         |









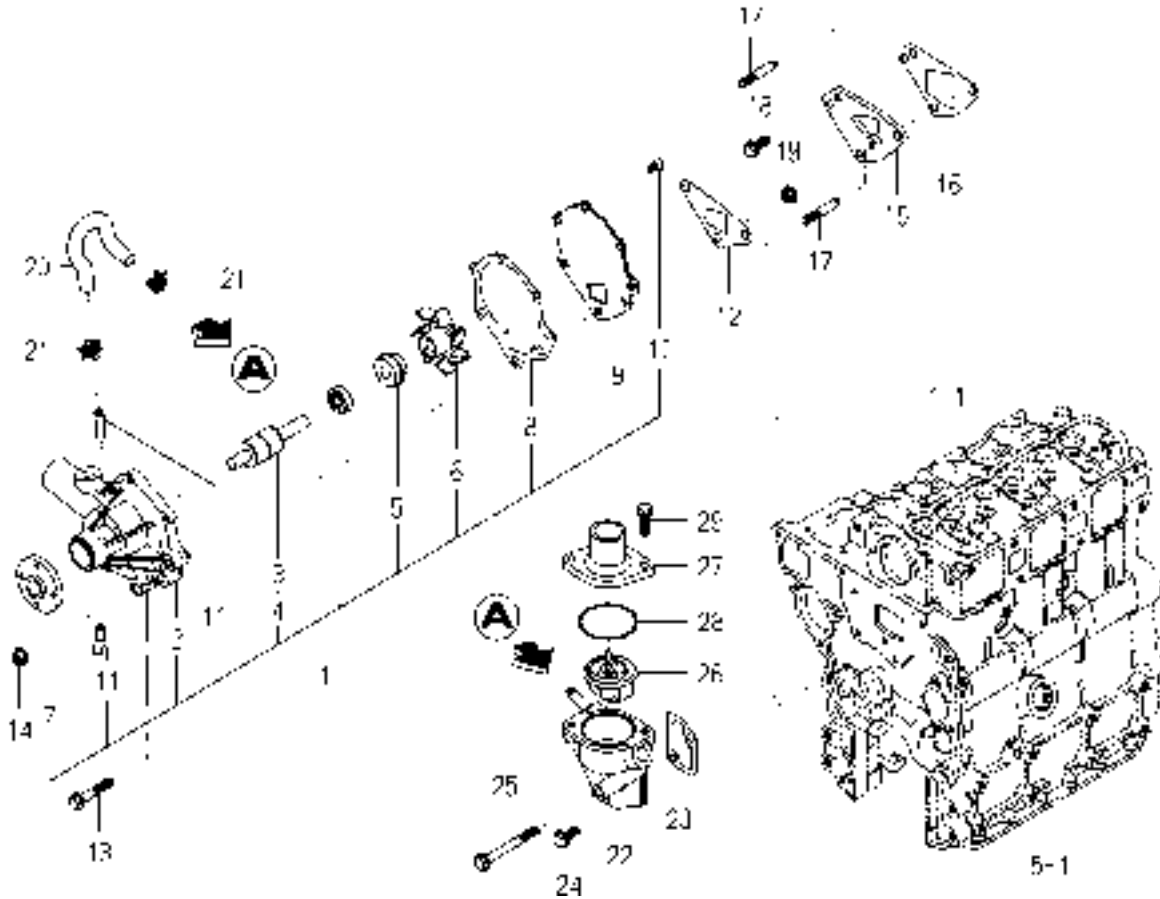








FIG. 17 WATER PUMP



6003-420B-0100

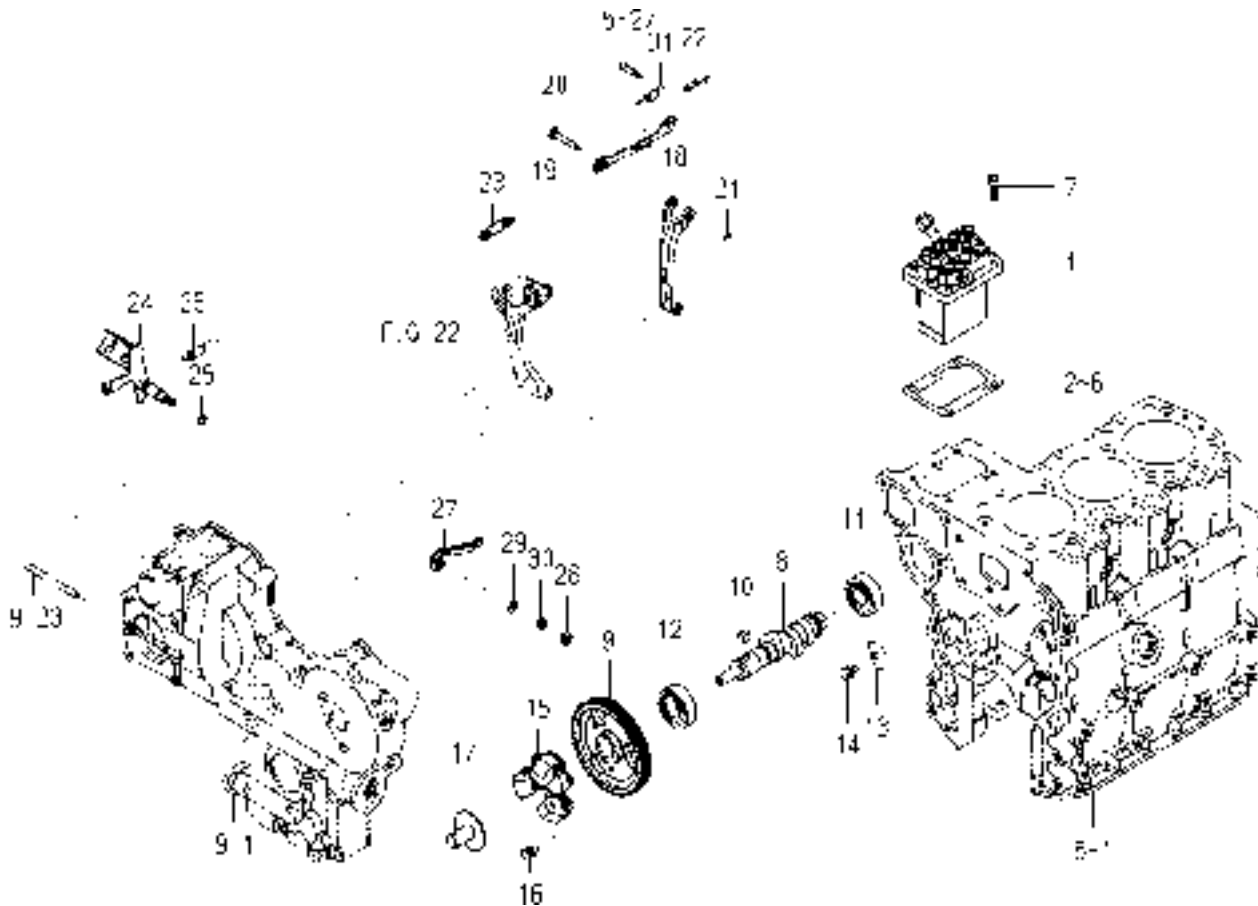
| KEY | PART CODE       | DESCRIPTION          | S<br>P<br>C | TYPE OF MODEL |  | I<br>T<br>C | C<br>O<br>L | G<br>R<br>P | REMARKS |
|-----|-----------------|----------------------|-------------|---------------|--|-------------|-------------|-------------|---------|
|     |                 |                      |             | E393B06       |  |             |             |             |         |
| 1   | 6213-610-005-40 | WATERPUMP ASSY       | *           | 1             |  |             |             |             |         |
| 2   | 6213-611-003-20 | BODY/WATERPUMP       | *           | 1             |  |             |             |             |         |
| 3   | 6213-631-002-00 | BEARING/WATER PUMP   | *           | 1             |  |             |             |             |         |
| 4   | 6213-631-005-00 | BEARING/WATERPUMP    | *           | 1             |  |             |             |             |         |
| 5   | 6213-622-002-10 | SEAL SET/WATER PUMP  | *           | 1             |  |             |             |             |         |
| 6   | 6213-621-003-00 | ROTOR/WATERPUMP      | *           | 1             |  |             |             |             |         |
| 7   | 6213-642-002-00 | SEAL/WATER PUMPPULLE | *           | 1             |  |             |             |             |         |
| 8   | 6213-613-002-10 | GASKET               | *           | 1             |  |             |             |             |         |
| 9   | 6213-612-004-00 | PLATE/WATER PUMP     | *           | 1             |  |             |             |             |         |
| 10  | 6213-619-003-00 | SCREW/WATER PUMP     | *           | 3             |  |             |             |             |         |
| 11  | 6213-619-002-00 | PIPE/WATER PUMP      | *           | 2             |  |             |             |             |         |
| 12  | 6213-614-003-10 | GASKET/WATER PUMP    | *           | 1             |  |             |             |             |         |
| 13  | V231-360-804-50 | FLANGE BOLT          | *           | 1             |  |             |             |             |         |
| 14  | 3817-401-001-00 | NUT/M08              | *           | 2             |  |             |             |             |         |
| 15  | 6213-619-005-00 | SPACER, WATER PUMP   | *           | 1             |  |             |             |             |         |
| 16  | 6213-614-006-10 | GASKET/SPACER        | *           | 1             |  |             |             |             |         |
| 17  | 6209-300-002-00 | STUD                 | *           | 2             |  |             |             |             |         |
| 18  | V231-360-802-00 | FLANGE BOLT          | *           | 1             |  |             |             |             |         |
| 19  | 3817-401-001-00 | NUT/M08              | *           | 1             |  |             |             |             |         |
| 20  | 6213-729-013-10 | HOSE/RUBBER          | *           | 1             |  |             |             |             |         |
| 21  | J061-210-015-00 | CLAMP/WIRE/10-15     | *           | 2             |  |             |             |             |         |
| 22  | 6213-716-001-50 | HOUSING/THERMOSTAT   | *           | 1             |  |             |             |             |         |
| 23  | 6213-743-002-10 | GASKET/HOUSING       | *           | 1             |  |             |             |             |         |
| 24  | V231-360-802-00 | FLANGE BOLT          | *           | 1             |  |             |             |             |         |
| 25  | V231-360-807-50 | FLANGE BOLT          | *           | 1             |  |             |             |             |         |
| 26  | 6513-770-022-10 | THERMOSTAT           | *           | 1             |  |             |             |             |         |
| 27  | 6213-711-003-20 | PIPE, WATER OUTLET   | *           | 1             |  |             |             |             |         |
| 28  | V723-102-005-50 | O-RING               | *           | 1             |  |             |             |             |         |
| 29  | V231-360-802-50 | FLANGE BOLT          | *           | 2             |  |             |             |             |         |







**FIG. 20 INJECTION PUMP**



6003-510K-0100

| KEY | PART CODE       | DESCRIPTION          | S<br>P<br>C | TYPE OF MODEL |  | I<br>T<br>C | C<br>O<br>L | G<br>R<br>P | REMARKS |
|-----|-----------------|----------------------|-------------|---------------|--|-------------|-------------|-------------|---------|
|     |                 |                      |             | E393B06       |  |             |             |             |         |
| 1   | 6215-600-109-30 | INJECTIONPUMP ASSY   | *           | 1             |  |             |             |             | FIG 027 |
| 2   | 6219-752-001-00 | SHIM/INJECTION P/0.3 | *           | 1             |  |             |             |             |         |
| 3   | 6219-752-002-00 | SHIM/INJECTION P/0.1 | *           | 1             |  |             |             |             |         |
| 4   | 6219-752-003-00 | SHIM/INJECTION P/0.2 | *           | 1             |  |             |             |             |         |
| 5   | 6219-752-004-00 | SHIM/INJECTION P/0.4 | *           | 1             |  |             |             |             |         |
| 6   | 6219-752-005-00 | SHIM/INJECTION P/0.5 | *           | 1             |  |             |             |             |         |
| 7   | 6209-056-001-00 | BOLT/M6X18           | *           | 4             |  |             |             |             |         |
| 8   | 6215-621-001-40 | CAMSHAFT/INJPUMP     | *           | 1             |  |             |             |             |         |
| 9   | 6212-524-002-20 | GEAR/INJECTIONPUMP   | *           | 1             |  |             |             |             |         |
| 10  | 6209-730-005-00 | KEY/07X05X09         | *           | 1             |  |             |             |             |         |
| 11  | V600-110-620-30 | BEARING,RB/6203      | *           | 1             |  |             |             |             |         |
| 12  | V600-110-600-40 | BEARING,RB/6004      | *           | 1             |  |             |             |             |         |
| 13  | 6212-535-002-00 | PLATE,THRUST INJPUMP | *           | 1             |  |             |             |             |         |
| 14  | 6901-910-612-00 | BOLT,SEMS/M6X12      | *           | 1             |  |             |             |             |         |
| 15  | 6215-520-001-00 | FLYWEIGHT            | *           | 1             |  |             |             |             |         |
| 16  | 6209-030-043-00 | BOLT/M6X10           | *           | 3             |  |             |             |             |         |
| 17  | 6215-526-004-00 | THRUSTPIECE          | *           | 1             |  |             |             |             |         |
| 18  | 6215-541-001-10 | ARM/FLOATING COMP    | *           | 1             |  |             |             |             |         |
| 19  | 6215-543-001-10 | LINK,CONTROL         | *           | 1             |  |             |             |             |         |
| 20  | 6215-542-006-00 | PIN,CONTROL          | *           | 1             |  |             |             |             |         |
| 21  | V710-140-004-00 | RING,SNAP/ 4 E       | *           | 1             |  |             |             |             |         |
| 22  | 6215-549-003-00 | SPRING,SETTING       | *           | 1             |  |             |             |             |         |
| 23  | 6215-531-021-00 | SPRING/GOVERNER      | *           | 1             |  |             |             |             |         |
| 24  | 6215-541-024-30 | LEVER/CONTROL COMP   | *           | 1             |  |             |             |             |         |
| 25  | V720-101-900-80 | O-RING/P 8           | *           | 1             |  |             |             |             |         |
| 26  | 6209-580-002-10 | SPRING,RETURN        | *           | 1             |  |             |             |             |         |
| 27  | 6215-549-007-10 | ARM/CONTROL          | *           | 1             |  |             |             |             |         |
| 28  | 6909-110-406-00 | NUT                  | *           | 1             |  |             |             |             |         |
| 29  | V411-260-006-00 | WASHER / M6          | *           | 1             |  |             |             |             |         |
| 30  | V401-160-006-00 | WASHER,SP/M 6        | *           | 1             |  |             |             |             |         |









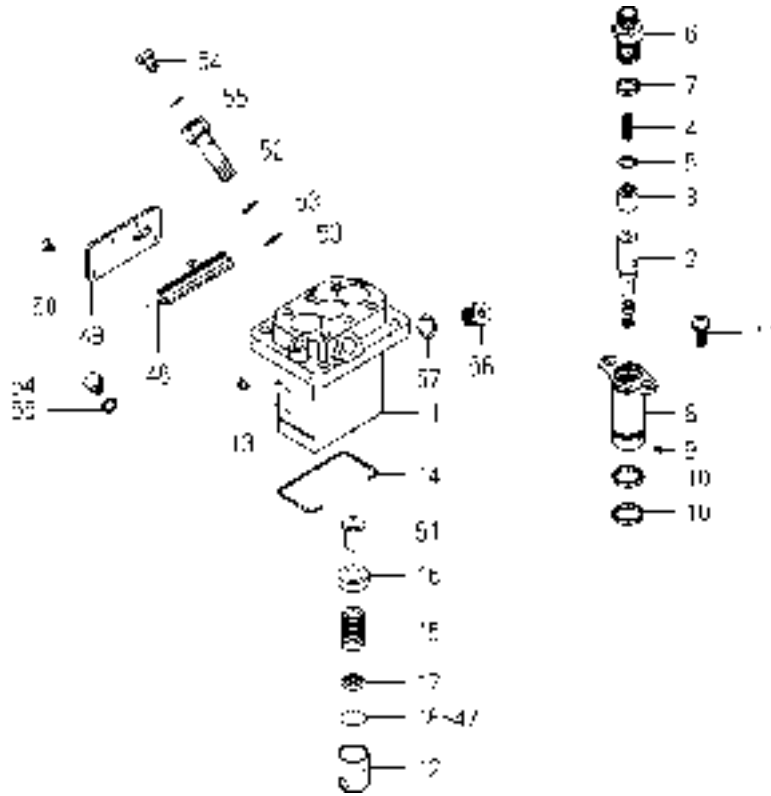








**FIG. 27 COMPONENT PARTS  
FOR 6215-600-109-30 ON Fig.20**

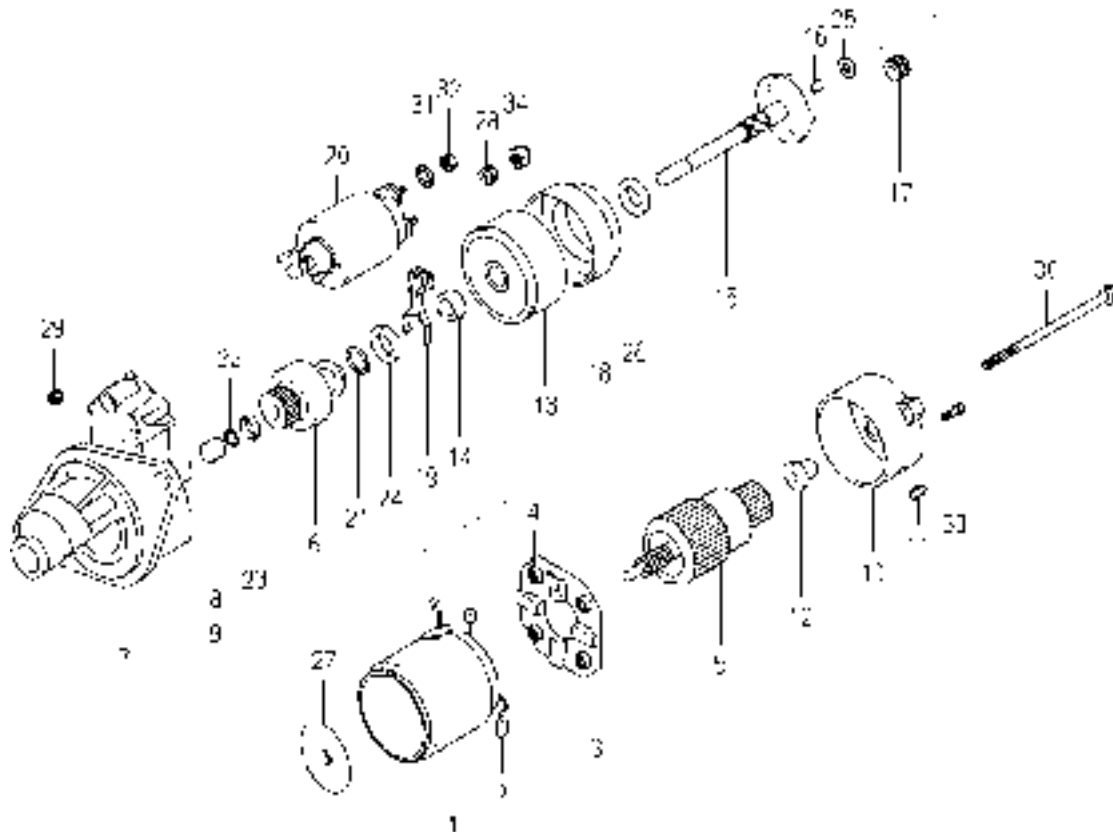


6215-600-109-3G

| KEY | PART CODE       | DESCRIPTION          | S<br>P<br>C | TYPE OF MODEL |  | I<br>T<br>C | C<br>O<br>L | G<br>R<br>P | REMARKS |
|-----|-----------------|----------------------|-------------|---------------|--|-------------|-------------|-------------|---------|
|     |                 |                      |             | E393B06       |  |             |             |             |         |
| 1   | 6215-611-002-00 | HOUSING,PUMP         | *           | 1             |  |             |             |             |         |
| 2   | 6215-631-017-00 | PLUNGER ASSY         | *           | 3             |  |             |             |             |         |
| 3   | 6215-641-007-00 | DELIVERYVALVE        | *           | 3             |  |             |             |             |         |
| 4   | 6215-643-002-00 | SPRING DELIVERY VALV | *           | 3             |  |             |             |             |         |
| 5   | 6215-649-003-00 | GASKET               | *           | 3             |  |             |             |             |         |
| 6   | 6215-644-002-00 | HOLDER DELIVERY VALV | *           | 3             |  |             |             |             |         |
| 7   | 6215-649-004-10 | ORING                | *           | 3             |  |             |             |             |         |
| 8   | 6215-635-002-00 | SLEEVE,FRANGE        | *           | 3             |  |             |             |             |         |
| 9   | 6215-649-005-00 | PIN                  | *           | 3             |  |             |             |             |         |
| 10  | 6215-649-006-10 | ORING                | *           | 6             |  |             |             |             |         |
| 11  | 6215-649-007-00 | SCREW                | *           | 6             |  |             |             |             |         |
| 12  | 6215-622-002-00 | TAPPET               | *           | 3             |  |             |             |             |         |
| 13  | 6215-629-017-00 | PIN                  | *           | 3             |  |             |             |             |         |
| 14  | 6215-629-018-00 | RING,SNAP            | *           | 1             |  |             |             |             |         |
| 15  | 6215-634-002-00 | SPRING,PLUNGER       | *           | 3             |  |             |             |             |         |
| 16  | 6215-639-006-00 | SEAT,SPRING          | *           | 3             |  |             |             |             |         |
| 17  | 6215-639-007-00 | SEAT,SPRING          | *           | 3             |  |             |             |             |         |
| 18  | 6215-629-020-00 | PLATE/T=1.80         | *           | 1             |  |             |             |             |         |
| 19  | 6215-629-021-00 | PLATE/T=1.85         | *           | 1             |  |             |             |             |         |
| 20  | 6215-629-022-00 | PLATE/T=1.90         | *           | 1             |  |             |             |             |         |
| 21  | 6215-629-023-00 | PLATE/T=1.95         | *           | 1             |  |             |             |             |         |
| 22  | 6215-629-024-00 | PLATE/T=2.00         | *           | 1             |  |             |             |             |         |
| 23  | 6215-629-025-00 | PLATE/T=2.05         | *           | 1             |  |             |             |             |         |
| 24  | 6215-629-026-00 | PLATE/T=2.10         | *           | 1             |  |             |             |             |         |
| 25  | 6215-629-027-00 | PLATE/T=2.15         | *           | 3             |  |             |             |             |         |
| 26  | 6215-629-028-00 | PLATE/T=2.20         | *           | 1             |  |             |             |             |         |
| 27  | 6215-629-029-00 | PLATE/T=2.25         | *           | 1             |  |             |             |             |         |
| 28  | 6215-629-030-00 | PLATE/T=2.30         | *           | 1             |  |             |             |             |         |
| 29  | 6215-629-031-00 | PLATE/T=2.35         | *           | 1             |  |             |             |             |         |
| 30  | 6215-629-032-00 | PLATE/T=2.40         | *           | 1             |  |             |             |             |         |



**FIG. 28 COMPONENT PARTS  
FOR 6281-100-014-00 ON Fig.23**



6281-100-014-0A

| KEY | PART CODE       | DESCRIPTION          | S<br>P<br>C | TYPE OF MODEL |  | I<br>T<br>C | C<br>O<br>L | G<br>R<br>P | REMARKS |
|-----|-----------------|----------------------|-------------|---------------|--|-------------|-------------|-------------|---------|
|     |                 |                      |             | E393B06       |  |             |             |             |         |
| 1   | 6281-111-009-00 | YOKE/STARTER ASSY    | *           | 1             |  |             |             |             |         |
| 2   | 6281-119-009-00 | BRUSH/STARTER        | *           | 2             |  |             |             |             |         |
| 3   | 6281-118-007-00 | HOLDER/STARTER ASSY  | *           | 1             |  |             |             |             |         |
| 4   | 6281-117-003-00 | SPRING/STARTERBRUSH  | *           | 4             |  |             |             |             |         |
| 5   | 6281-121-010-00 | ARMATURE/STARTE ASSY | *           | 1             |  |             |             |             |         |
| 6   | 6281-124-011-00 | CLUTCH/STARTER ASSY  | *           | 1             |  |             |             |             |         |
| 7   | 6281-129-064-00 | HOUSING/STARTER ASSY | *           | 1             |  |             |             |             |         |
| 8   | 6281-129-080-00 | BEARING/NEEDLE       | *           | 1             |  |             |             |             |         |
| 9   | 6281-129-058-00 | BEARING/NEEDLE       | *           | 1             |  |             |             |             |         |
| 10  | 6281-115-017-00 | FRAME/COMMUTATOR END | *           | 1             |  |             |             |             |         |
| 11  | 6281-115-018-00 | COVER                | *           | 1             |  |             |             |             |         |
| 12  | 6281-129-065-00 | BEARING/OILLESS      | *           | 1             |  |             |             |             |         |
| 13  | 6281-129-066-00 | BEARING/WITH SHOCKAB | *           | 1             |  |             |             |             |         |
| 14  | 6281-129-067-00 | BEARING/OILLESS      | *           | 1             |  |             |             |             |         |
| 15  | 6281-129-068-00 | SHAFT/STARTER PLANET | *           | 1             |  |             |             |             |         |
| 16  | 6281-129-069-00 | BEARING/OILLESS      | *           | 1             |  |             |             |             |         |
| 17  | 6281-129-070-00 | GEAR/STARTER PLANETA | *           | 3             |  |             |             |             |         |
| 18  | 6281-129-071-00 | GEAR/STARTERINTERNAL | *           | 1             |  |             |             |             |         |
| 19  | 6281-127-003-00 | LEVER/PINIONDRIVE    | *           | 1             |  |             |             |             |         |
| 20  | 6281-151-014-00 | SWITCH/MAGNETIC ASSY | *           | 1             |  |             |             |             |         |
| 21  | 6281-129-072-00 | RING/SNAP            | *           | 1             |  |             |             |             |         |
| 22  | 6281-129-073-00 | RING/SNAP            | *           | 1             |  |             |             |             |         |
| 23  | 6281-129-074-00 | NUT/PINIONSTOP       | *           | 1             |  |             |             |             |         |
| 24  | 6281-129-075-00 | WASHER/SK            | *           | 1             |  |             |             |             |         |
| 25  | 6281-129-076-00 | WASHER/SK            | *           | 1             |  |             |             |             |         |
| 26  | 6281-129-077-00 | WASHER/SK            | *           | 1             |  |             |             |             |         |
| 27  | 6281-129-078-00 | PLATE                | *           | 1             |  |             |             |             |         |
| 28  | 6281-129-030-00 | NUT                  | *           | 1             |  |             |             |             |         |
| 29  | 6281-129-029-00 | NUT                  | *           | 2             |  |             |             |             |         |
| 30  | 6281-129-043-00 | BOLT/THROUGH         | *           | 2             |  |             |             |             |         |







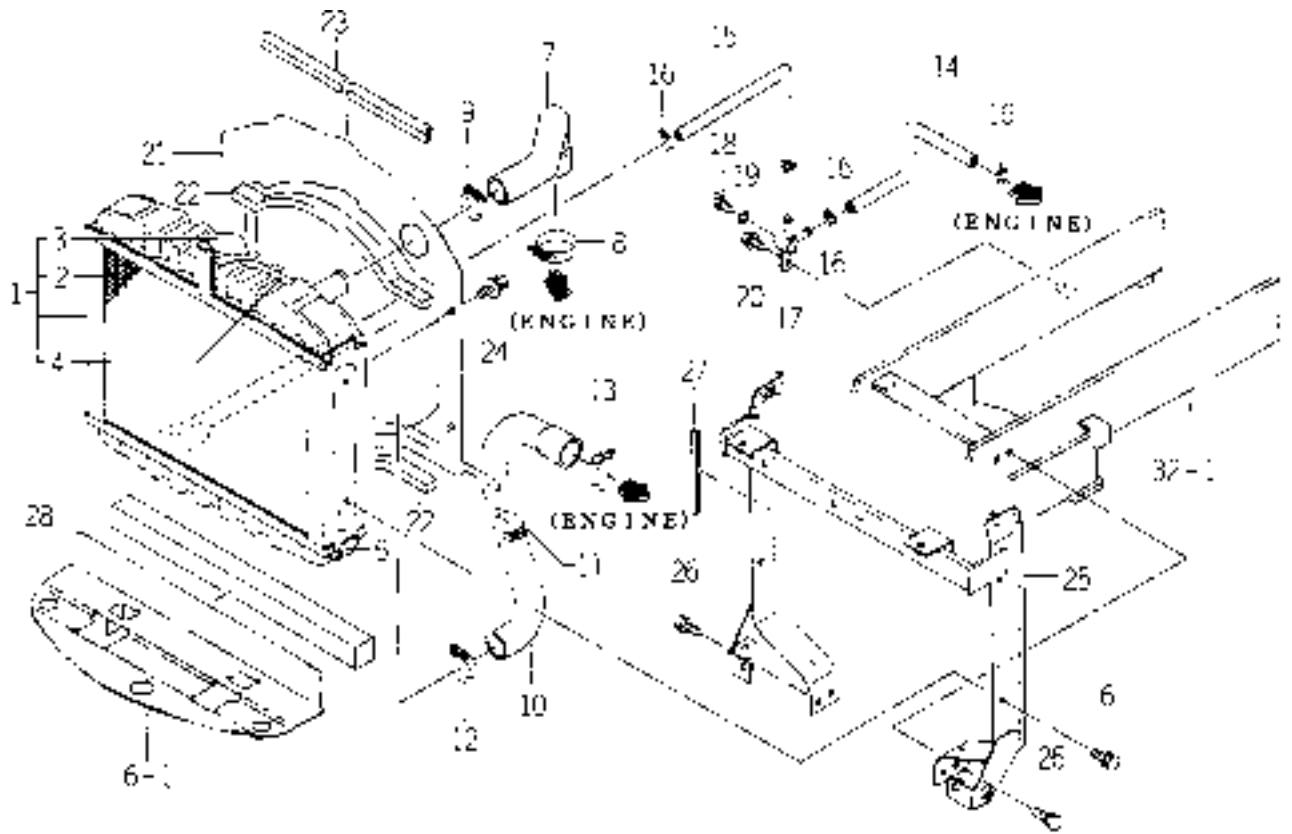


# CHASSIS

CHASSIS



**FIG. 1 RADIATOR SYSTEM**



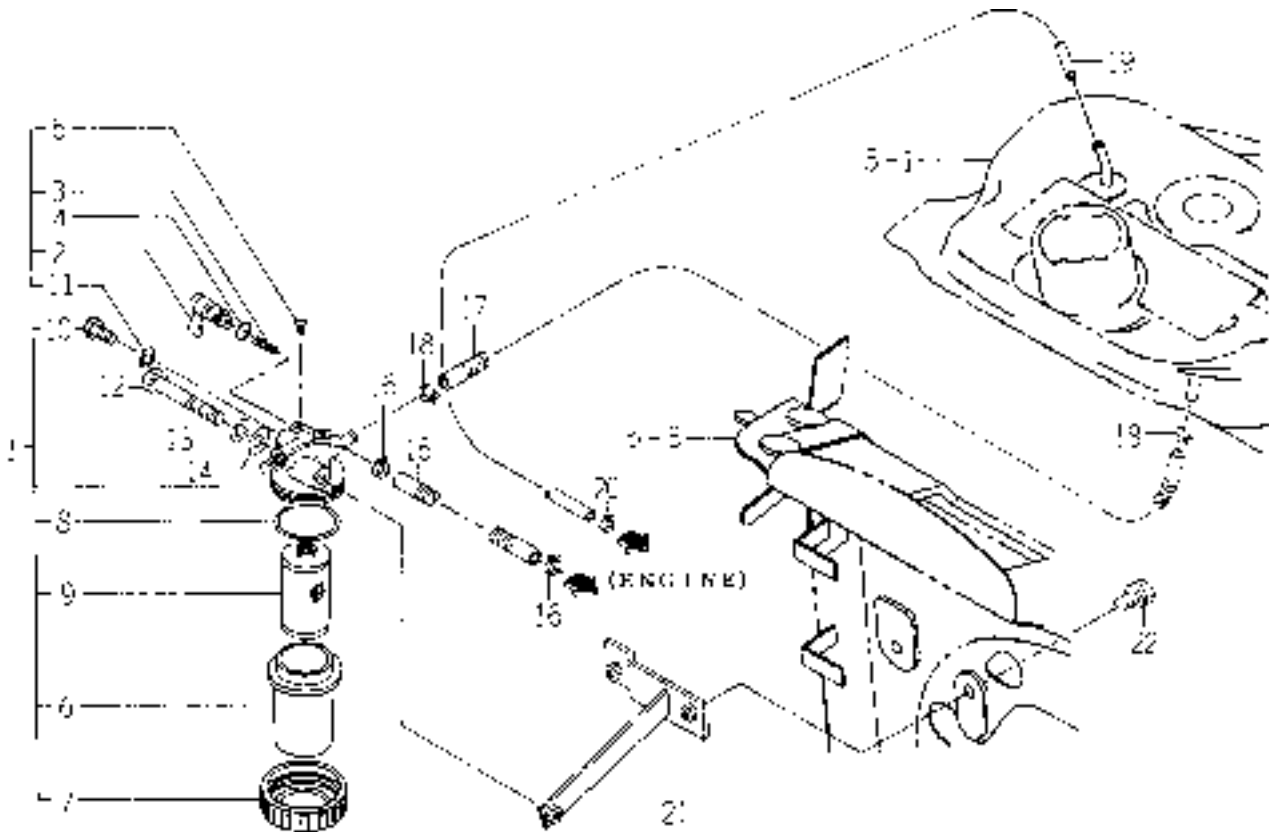
1738-102-0100

| KEY | PART CODE       | DESCRIPTION          | S<br>P<br>C | TYPE OF MODEL |  | I<br>T<br>C | C<br>O<br>L | G<br>R<br>P | REMARKS |
|-----|-----------------|----------------------|-------------|---------------|--|-------------|-------------|-------------|---------|
|     |                 |                      |             | TM3160        |  |             |             |             |         |
| 1   | 1726-102-210-00 | RADIATOR ASSY        | *           | 1             |  |             |             |             |         |
| 2   | 1726-102-211-00 | NET/WIRE COMP        | *           | 1             |  |             |             |             |         |
| 3   | 1614-102-213-00 | CAP                  | *           | 1             |  |             |             |             |         |
| 4   | 1614-102-214-00 | HOSE                 | *           | 1             |  |             |             |             |         |
| 5   | 1612-102-005-00 | INSULATOR            | *           | 1             |  |             |             |             |         |
| 6   | V211-260-801-60 | BOLT,SEMS (S) M8X16  | *           | 4             |  |             |             |             |         |
| 7   | 1675-102-004-00 | HOSE/RADIATOR/INLET  | *           | 1             |  |             |             |             |         |
| 8   | J061-236-044-00 | CLAMP/WIRE/36-44     | *           | 1             |  |             |             |             |         |
| 9   | J061-230-038-00 | CLAMP/WIRE/30-38     | *           | 1             |  |             |             |             |         |
| 10  | 1675-102-006-00 | HOSE/RADIATOR/OUTLET | *           | 1             |  |             |             |             |         |
| 11  | 1425-621-004-00 | HOLDER/JE/9-9        | *           | 1             |  |             |             |             |         |
| 12  | J061-224-032-00 | CLAMP/WIRE/24-32     | *           | 1             |  |             |             |             |         |
| 13  | J061-236-044-00 | CLAMP/WIRE/36-44     | *           | 1             |  |             |             |             |         |
| 14  | 1617-102-005-00 | HOSE/170             | *           | 1             |  |             |             |             |         |
| 15  | 1560-104-006-60 | HOSE/290             | *           | 1             |  |             |             |             |         |
| 16  | J061-210-015-00 | CLAMP/WIRE/10-15     | *           | 4             |  |             |             |             |         |
| 17  | 1560-104-010-40 | CONNECTOR            | *           | 1             |  |             |             |             |         |
| 18  | 1424-101-203-00 | PLUG                 | *           | 1             |  |             |             |             |         |
| 19  | 1424-101-204-00 | PACKING              | *           | 1             |  |             |             |             |         |
| 20  | V211-360-802-00 | BOLT/SP              | *           | 1             |  |             |             |             |         |
| 21  | 1683-102-220-00 | SHROUD COMP          | *           | 1             |  |             |             |             |         |
| 22  | 1675-102-002-00 | INSULATOR            | *           | 2             |  |             |             |             |         |
| 23  | 1716-102-003-00 | INSULATOR/550        | *           | 1             |  |             |             |             |         |
| 24  | V210-360-601-20 | BOLT,SEMS            | *           | 4             |  |             |             |             |         |
| 25  | 1726-102-200-10 | BRACKET/RADIATO COMP | *           | 1             |  |             |             |             |         |
| 26  | V211-260-801-60 | BOLT,SEMS (S) M8X16  | *           | 4             |  |             |             |             |         |
| 27  | 1705-102-014-00 | TRIM/130             | *           | 1             |  |             |             |             |         |
| 28  | 1726-102-001-00 | INSULATOR            | *           | 1             |  |             |             |             |         |





FIG. 4 FILTER SYSTEM

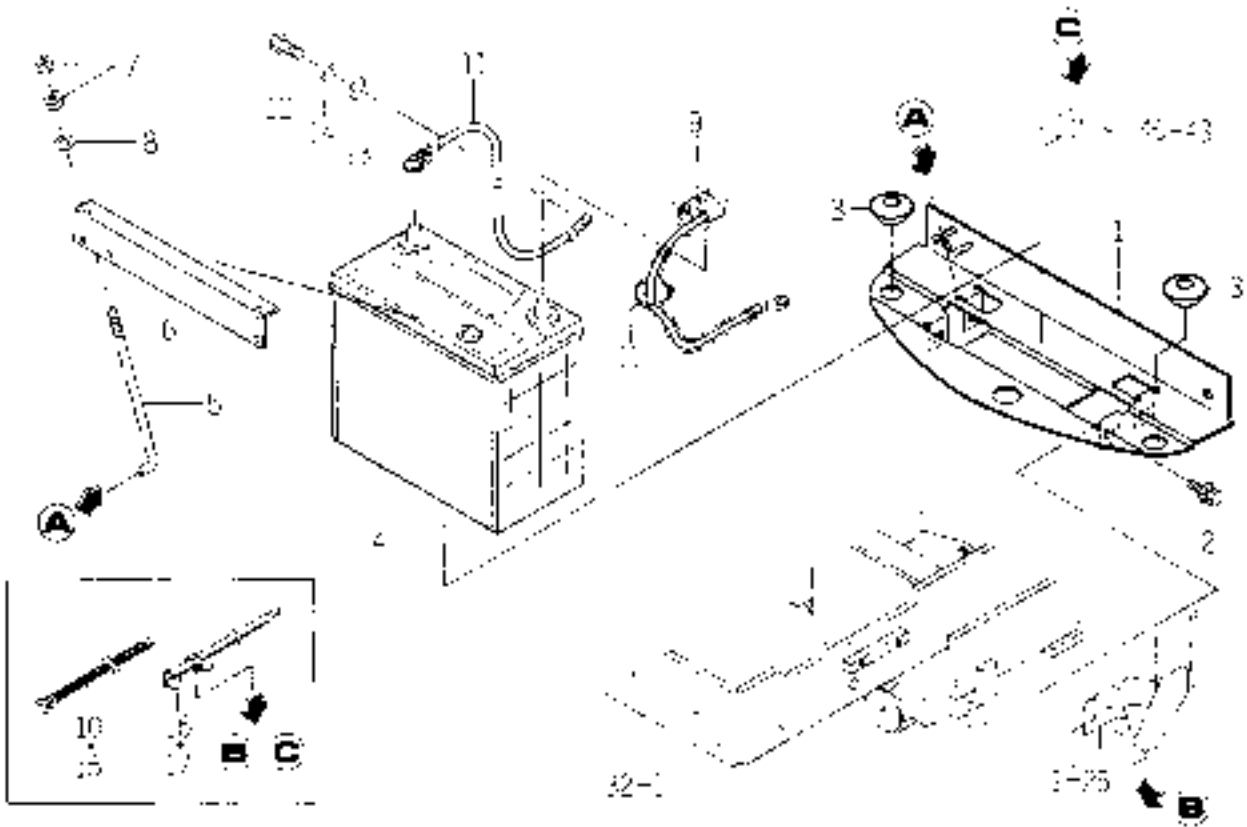


1738-105-0100

| KEY | PART CODE       | DESCRIPTION          | S<br>P<br>C | TYPE OF MODEL |  | I<br>T<br>C | C<br>O<br>L | G<br>R<br>P | REMARKS |
|-----|-----------------|----------------------|-------------|---------------|--|-------------|-------------|-------------|---------|
|     |                 |                      |             | TM3160        |  |             |             |             |         |
| 1   | 1509-105-210-00 | FILTER/FUEL          | *           | 1             |  |             |             |             |         |
| 2   | 1444-102-202-00 | LEVER                | *           | 1             |  |             |             |             |         |
| 3   | 1415-102-007-00 | SPRING, VALVE        | *           | 1             |  |             |             |             |         |
| 4   | V720-102-401-00 | O-RING/P10A          | *           | 1             |  |             |             |             |         |
| 5   | 1415-102-008-00 | VIS                  | *           | 1             |  |             |             |             |         |
| 6   | 1440-103-201-00 | CAP                  | *           | 1             |  |             |             |             |         |
| 7   | 1444-102-204-00 | NUT, RING            | *           | 1             |  |             |             |             |         |
| 8   | V720-103-504-40 | O-RING/P44           | *           | 1             |  |             |             |             |         |
| 9   | 1672-105-211-00 | ELEMENT              | *           | 1             |  |             |             |             |         |
| 10  | 1572-102-003-00 | BOLT/M06X08/APSET    | *           | 2             |  |             |             |             |         |
| 11  | 1415-102-013-00 | PACKING              | *           | 2             |  |             |             |             |         |
| 12  | V201-260-806-50 | BOLT/M 8X65          | *           | 1             |  |             |             |             |         |
| 13  | V401-160-008-00 | WASHER, SP/M 8       | *           | 1             |  |             |             |             |         |
| 14  | V411-260-008-00 | WASHER, PL/M 8       | *           | 1             |  |             |             |             |         |
| 15  | 1716-105-001-00 | HOSE/08X13X300       | *           | 1             |  |             |             |             |         |
| 16  | J062-119-126-00 | CLIP/HOSE/11.9-12.6  | *           | 2             |  |             |             |             |         |
| 17  | 1726-105-001-10 | HOSE/08X13X110       | *           | 1             |  |             |             |             |         |
| 18  | J062-119-126-00 | CLIP/HOSE/11.9-12.6  | *           | 2             |  |             |             |             |         |
| 19  | 1612-105-002-00 | HOSE/650             | *           | 1             |  |             |             |             |         |
| 20  | J062-081-087-00 | CLIP/HOSE/8.1-8.7    | *           | 1             |  |             |             |             |         |
| 21  | 1738-105-210-00 | BRACKET/FILTER COMP  | *           | 1             |  |             |             |             |         |
| 22  | V211-260-801-60 | BOLT, SEMS (S) M8X16 | *           | 2             |  |             |             |             |         |



**FIG. 6 BATTERY SYSTEM**



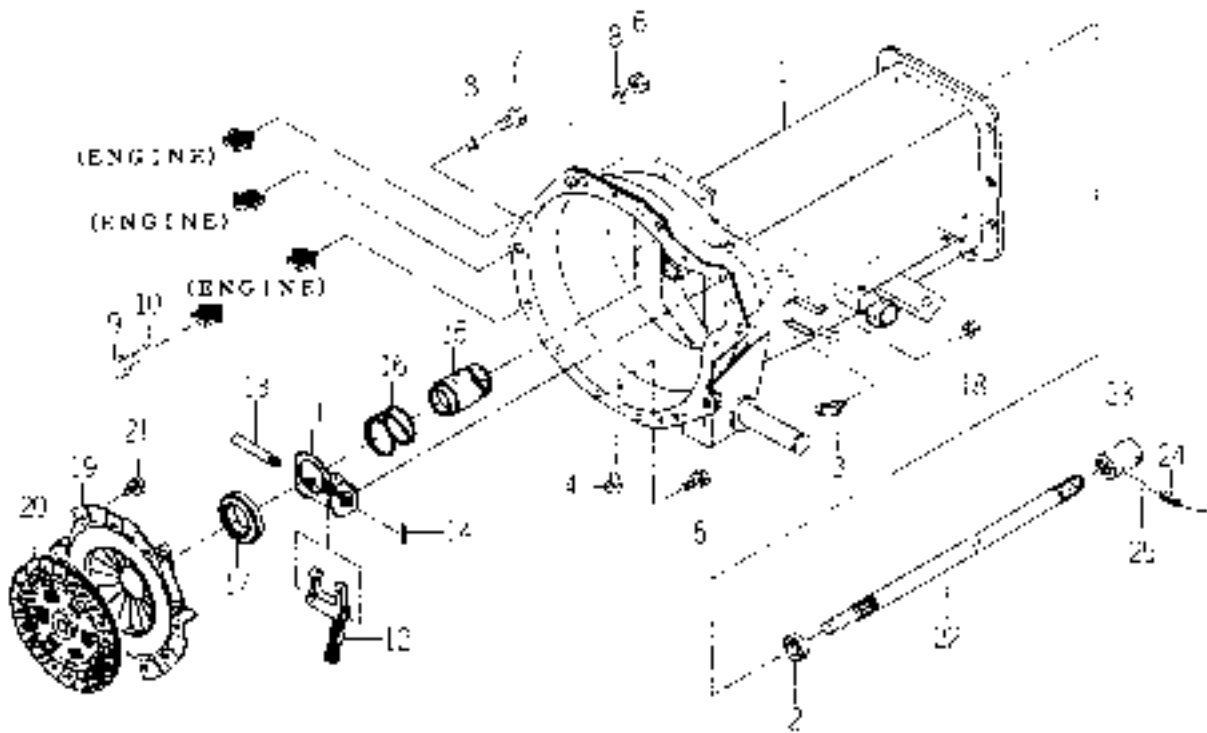
1738-112 -0100

| KEY | PART CODE       | DESCRIPTION          | S<br>P<br>C | TYPE OF MODEL |  | I<br>T<br>C | C<br>O<br>L | G<br>R<br>P | REMARKS |
|-----|-----------------|----------------------|-------------|---------------|--|-------------|-------------|-------------|---------|
|     |                 |                      |             | TM3160        |  |             |             |             |         |
| 1   | 1738-112-210-00 | BRACKET/BATTERY COMP | *           | 1             |  |             |             |             |         |
| 2   | V211-360-801-60 | BOLT,SEMS (SP)       | *           | 6             |  |             |             |             |         |
| 3   | 1421-603-004-00 | BUSH,LEVER           | *           | 2             |  |             |             |             |         |
| 4   | 1726-112-210-00 | BATTERY/46B24R ASSY  | *           | 1             |  |             |             |             |         |
| 5   | 1675-112-002-00 | BOLT/BATTERY         | *           | 2             |  |             |             |             |         |
| 6   | 1682-112-006-10 | PLATE/BATTERY        | *           | 1             |  |             |             |             |         |
| 7   | V301-260-006-00 | NUT/M 6              | *           | 4             |  |             |             |             |         |
| 8   | V411-260-006-00 | WASHER / M6          | *           | 2             |  |             |             |             |         |
| 9   | 1716-112-230-00 | CABLE/BATTERY ASSY   | *           | 1             |  |             |             |             |         |
| 10  | 1376-402-003-00 | BAND,WIRE/140        | *           | 1             |  |             |             |             |         |
| 11  | 1726-112-002-10 | CABLE/EARTH          | *           | 1             |  |             |             |             |         |
| 12  | V201-261-001-60 | BOLT/M10X16          | *           | 1             |  |             |             |             |         |
| 13  | V411-260-010-00 | WASHER/M10           | *           | 1             |  |             |             |             |         |
| 14  | V401-160-010-00 | WASHER,SP/M10        | *           | 1             |  |             |             |             |         |
| 15  | 1376-402-003-00 | BAND,WIRE/140        | *           | 1             |  |             |             |             |         |
| 16  | 1560-666-004-00 | BAND                 | *           | 1             |  |             |             |             |         |
| 17  | 1560-666-004-00 | BAND                 | *           | 1             |  |             |             |             |         |





## FIG. 8 MAIN CLUTCH, INPUT SHAFT SYSTEM

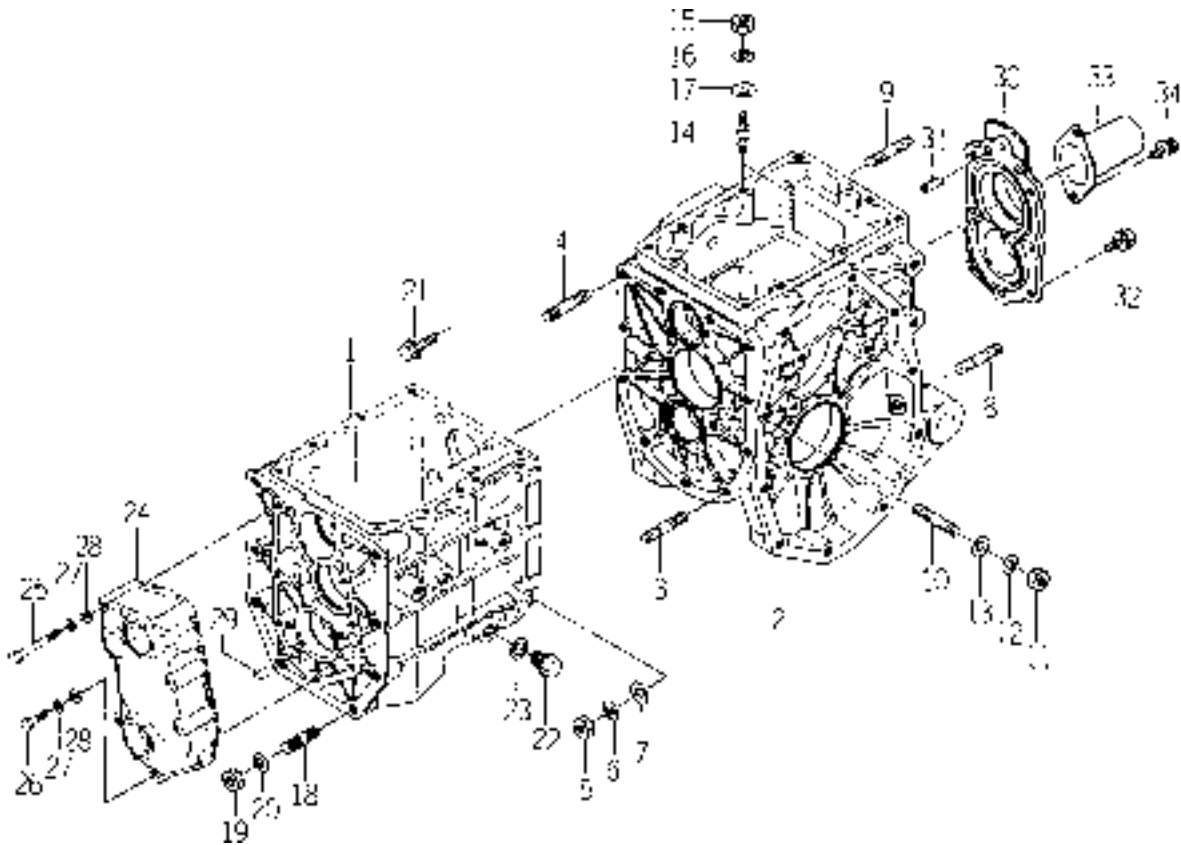


1738-120 -0100,1738-125 -0100

| KEY | PART CODE       | DESCRIPTION          | S<br>P<br>C | TYPE OF MODEL |  | I<br>T<br>C | C<br>O<br>L | G<br>R<br>P | REMARKS |
|-----|-----------------|----------------------|-------------|---------------|--|-------------|-------------|-------------|---------|
|     |                 |                      |             | TM3160        |  |             |             |             |         |
| 1   | 1738-120-210-20 | HOUSING/CLUTCH COMP  | *           | 1             |  |             |             |             |         |
| 2   | V744-120-350-70 | SEAL,OIL/TC20357     | *           | 1             |  |             |             |             |         |
| 3   | V763-150-000-00 | NIPPLE,GREASE/PT1/8  | *           | 1             |  |             |             |             |         |
| 4   | V782-160-000-2T | PLUG/SCREW/SEAL      | *           | 1             |  |             |             |             |         |
| 5   | V211-260-801-60 | BOLT,SEMS (S) M8X16  | *           | 4             |  |             |             |             |         |
| 6   | V334-460-010-00 | NUT/M10 7T P=1.25    | *           | 2             |  |             |             |             |         |
| 7   | V203-361-002-00 | BOLT/M10X1.25X20     | *           | 2             |  |             |             |             |         |
| 8   | V401-160-010-00 | WASHER,SP/M10        | *           | 4             |  |             |             |             |         |
| 9   | V201-361-202-50 | BOLT/M12X25          | *           | 2             |  |             |             |             |         |
| 10  | V401-160-012-00 | WASHER,SP/M12        | *           | 2             |  |             |             |             |         |
| 11  | 1434-122-230-10 | BRACKET COMP         | *           | 1             |  |             |             |             |         |
| 12  | 1435-122-002-00 | FORK/RELEASE         | *           | 1             |  |             |             |             |         |
| 13  | 1672-120-006-00 | PIN/12X75            | *           | 1             |  |             |             |             |         |
| 14  | V500-163-002-00 | PIN,SPLIT/3 X20      | *           | 1             |  |             |             |             |         |
| 15  | 1672-120-007-00 | SLEEVE               | *           | 1             |  |             |             |             |         |
| 16  | 1434-120-005-00 | SPRING/HC50          | *           | 1             |  |             |             |             |         |
| 17  | 1491-120-001-00 | BEARING,CLUTCH RS    | *           | 1             |  |             |             |             |         |
| 18  | V211-260-801-60 | BOLT,SEMS (S) M8X16  | *           | 2             |  |             |             |             |         |
| 19  | 1716-120-200-00 | COVER/CLUTCH/18 COMP | *           | 1             |  |             |             |             |         |
| 20  | 1717-120-230-10 | DISK/CLUTCH/184 COMP | *           | 1             |  |             |             |             |         |
| 21  | V211-260-802-00 | BOLT/S               | *           | 6             |  |             |             |             |         |
| 22  | 1682-120-001-00 | SHAFT/INPUT          | *           | 1             |  |             |             |             |         |
| 23  | 1435-120-002-30 | COUPLING/16X27X62    | *           | 1             |  |             |             |             |         |
| 24  | V580-140-602-80 | PIN,SPRING/6 X28 W   | *           | 2             |  |             |             |             |         |
| 25  |                 | WIRE                 | *           | 1             |  |             |             |             |         |



## FIG. 10 CASE (TRANSMISSION) SYSTEM



1738-201 -0100

| KEY | PART CODE       | DESCRIPTION          | S<br>P<br>C | TYPE OF MODEL |  | I<br>T<br>C | C<br>O<br>L | G<br>R<br>P | REMARKS |
|-----|-----------------|----------------------|-------------|---------------|--|-------------|-------------|-------------|---------|
|     |                 |                      |             | TM3160        |  |             |             |             |         |
| 1   | 1682-201-001-10 | CASE/TRANSMISSION/F  | *           | 1             |  |             |             |             |         |
| 2   | 1688-201-055-10 | CASE/TRANSMISSION/RE | *           | 1             |  |             |             |             |         |
| 3   | V252-341-003-00 | BOLT/STUD            | *           | 2             |  |             |             |             |         |
| 4   | V252-341-003-50 | BOLT/M10X35          | *           | 7             |  |             |             |             |         |
| 5   | V304-260-010-00 | NUT                  | *           | 9             |  |             |             |             |         |
| 6   | V401-160-010-00 | WASHER,SP/M10        | *           | 9             |  |             |             |             |         |
| 7   | V411-260-010-00 | WASHER/M10           | *           | 9             |  |             |             |             |         |
| 8   | V251-261-202-5D | BOLT/STUD/SEAL       | *           | 2             |  |             |             |             |         |
| 9   | V252-341-202-50 | BOLT/STUD            | *           | 4             |  |             |             |             |         |
| 10  | V252-261-005-50 | BOLT/M10X55          | *           | 4             |  |             |             |             |         |
| 11  | V304-260-010-00 | NUT                  | *           | 4             |  |             |             |             |         |
| 12  | V401-160-010-00 | WASHER,SP/M10        | *           | 4             |  |             |             |             |         |
| 13  | V411-260-010-00 | WASHER/M10           | *           | 4             |  |             |             |             |         |
| 14  | V252-341-003-00 | BOLT/STUD            | *           | 2             |  |             |             |             |         |
| 15  | V304-260-010-00 | NUT                  | *           | 2             |  |             |             |             |         |
| 16  | V401-160-010-00 | WASHER,SP/M10        | *           | 2             |  |             |             |             |         |
| 17  | V411-260-010-00 | WASHER/M10           | *           | 2             |  |             |             |             |         |
| 18  | V252-341-203-00 | BOLT/M12X30          | *           | 8             |  |             |             |             |         |
| 19  | V304-460-012-00 | NUT/M12              | *           | 8             |  |             |             |             |         |
| 20  | V401-160-012-00 | WASHER,SP/M12        | *           | 8             |  |             |             |             |         |
| 21  | V211-361-003-50 | BOLT/M10X35          | *           | 2             |  |             |             |             |         |
| 22  | 1427-201-007-00 | PLUG,DRAIN           | *           | 1             |  |             |             |             |         |
| 23  | 1427-201-008-00 | WASHER,SEAL/16       | *           | 1             |  |             |             |             |         |
| 24  | 1427-201-005-00 | METAL/INPUT          | *           | 1             |  |             |             |             |         |
| 25  | V201-260-806-00 | BOLT/M 8X60          | *           | 4             |  |             |             |             |         |
| 26  | V201-260-803-50 | BOLT/M 8X35          | *           | 4             |  |             |             |             |         |
| 27  | V401-160-008-00 | WASHER,SP/M 8        | *           | 8             |  |             |             |             |         |
| 28  | V411-260-008-00 | WASHER,PL/M 8        | *           | 8             |  |             |             |             |         |
| 29  | V522-100-801-80 | PIN                  | *           | 2             |  |             |             |             |         |
| 30  | 1688-201-056-00 | METAL/PTO            | *           | 1             |  |             |             |             |         |









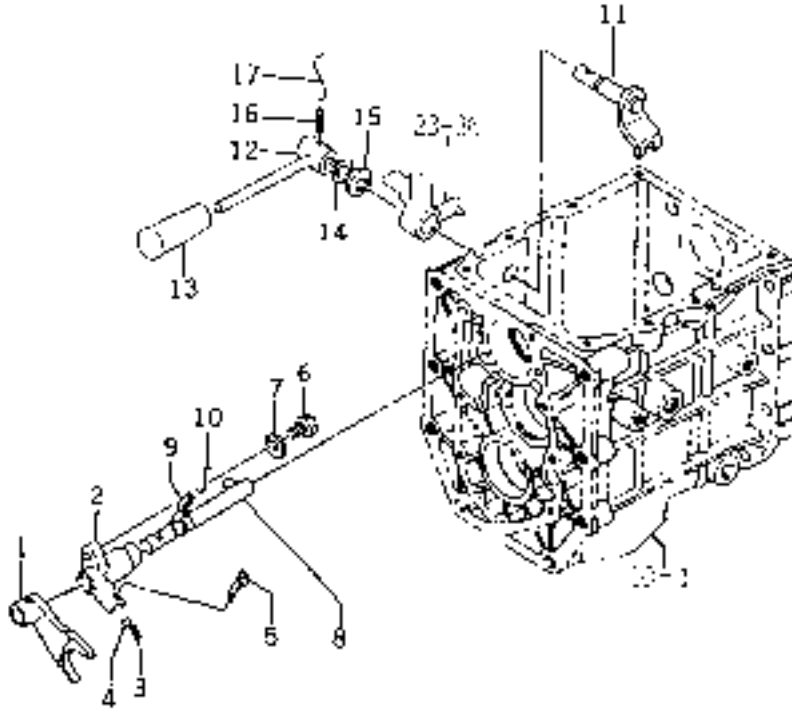








FIG. 17 CHANGE (4WD) SYSTEM



1738-209 -0100

| KEY | PART CODE       | DESCRIPTION        | S<br>P<br>C | TYPE OF MODEL |  | I<br>T<br>C | C<br>O<br>L | G<br>R<br>P | REMARKS |
|-----|-----------------|--------------------|-------------|---------------|--|-------------|-------------|-------------|---------|
|     |                 |                    |             | TM3160        |  |             |             |             |         |
| 1   | 1427-210-008-10 | FORK/SHIFT/FRONT   | *           | 1             |  |             |             |             |         |
| 2   | 1427-210-009-00 | CASE,SPRING        | *           | 1             |  |             |             |             |         |
| 3   | 1302-225-003-00 | SPRING,SHIFTER     | *           | 1             |  |             |             |             |         |
| 4   | V682-200-001-00 | BALL               | *           | 1             |  |             |             |             |         |
| 5   | V500-162-002-00 | PIN,SPLIT/2 X20    | *           | 1             |  |             |             |             |         |
| 6   | 1427-210-011-00 | BOLT/M8X30         | *           | 1             |  |             |             |             |         |
| 7   | V411-260-008-00 | WASHER,PL/M 8      | *           | 1             |  |             |             |             |         |
| 8   | 1427-210-200-00 | STAY,SHIFTER       | *           | 1             |  |             |             |             |         |
| 9   | V580-140-502-00 | PIN,SPRING/5 X20 W | *           | 1             |  |             |             |             |         |
| 10  |                 | WIRE               | *           | 1             |  |             |             |             |         |
| 11  | 1427-209-200-00 | ARM,SHIFT          | *           | 1             |  |             |             |             |         |
| 12  | 1682-209-200-20 | LEVER/4WD COMP     | *           | 1             |  |             |             |             |         |
| 13  | 2173-820-003-00 | GRIP/ORANGE/10.5   | *           | 1             |  |             |             |             |         |
| 14  | V720-102-401-40 | O-RING/P14         | *           | 1             |  |             |             |             |         |
| 15  | 1427-601-003-00 | WASHER/15X24X2     | *           | 1             |  |             |             |             |         |
| 16  | V580-140-503-20 | PIN,SPRING/5 X32 W | *           | 1             |  |             |             |             |         |
| 17  |                 | WIRE               | *           | 1             |  |             |             |             |         |





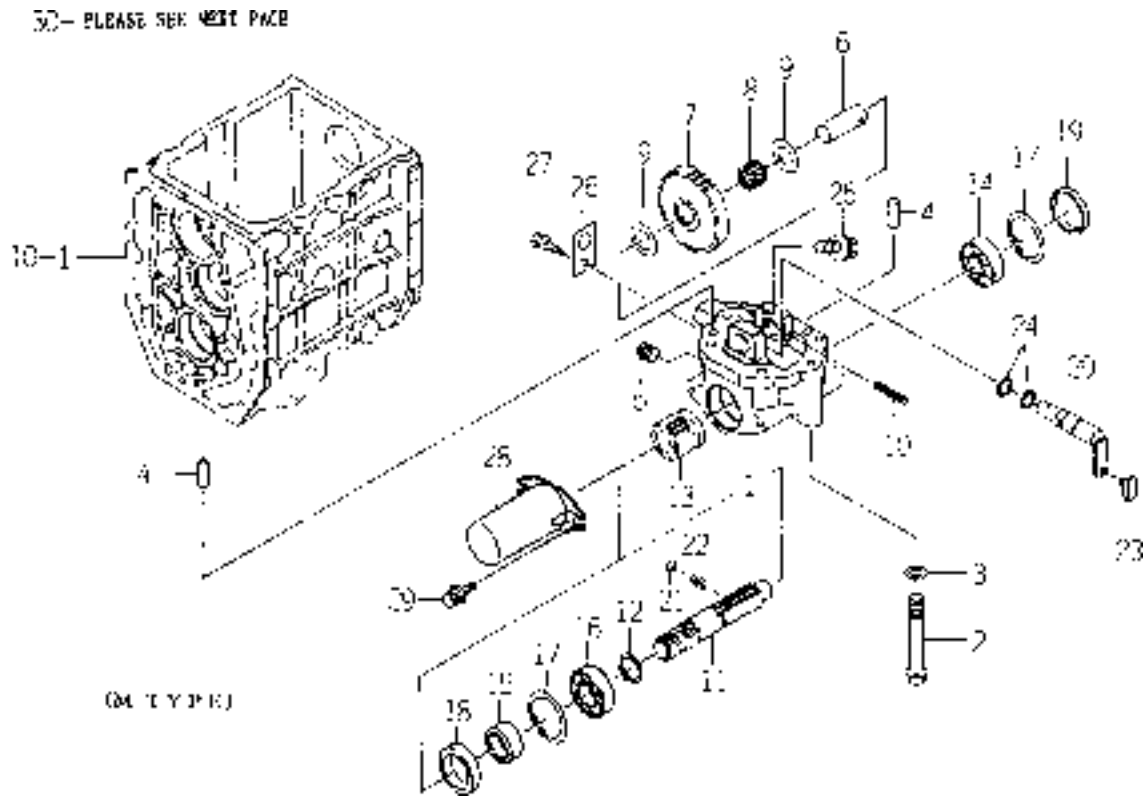








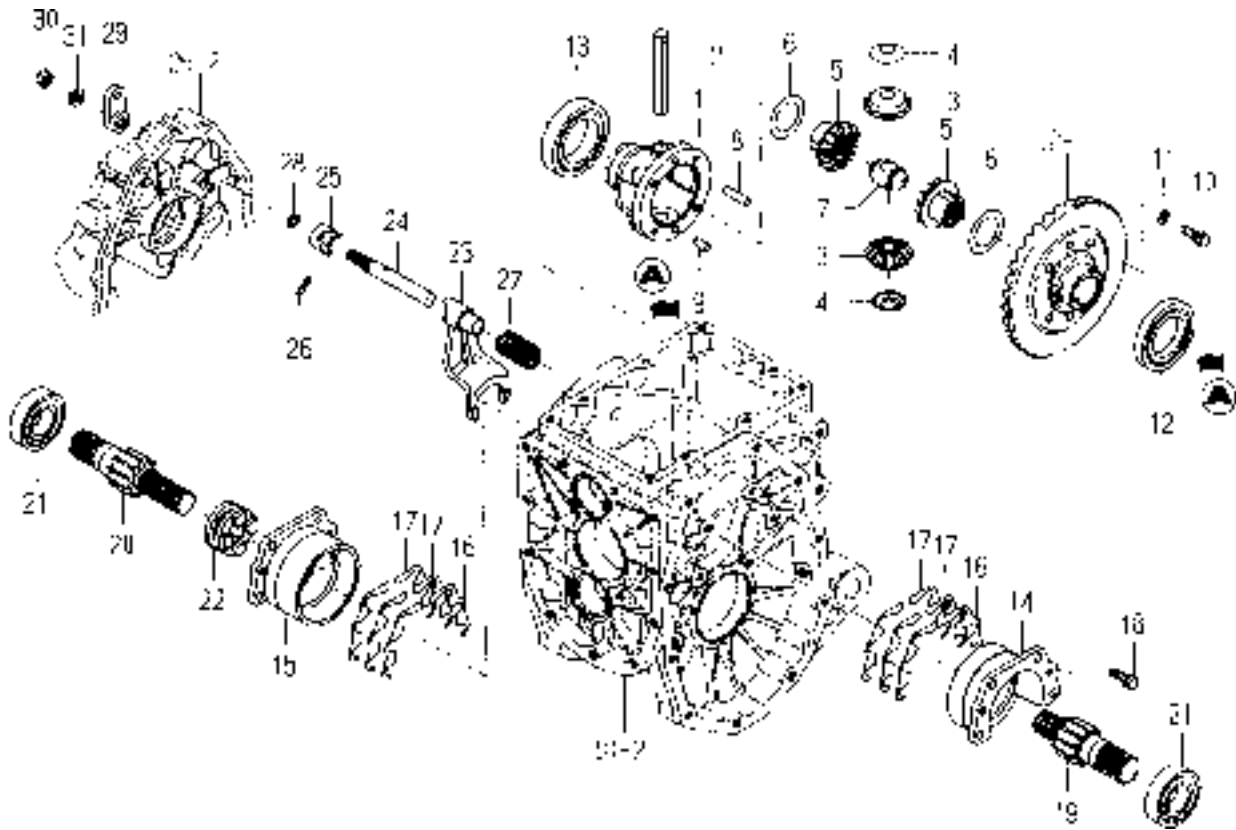
FIG. 23 MID PTO SYSTEM(1/2)



1738-255-0100,1682-255A-0100

| KEY | PART CODE       | DESCRIPTION        | S<br>P<br>C | TYPE OF MODEL |  | I<br>T<br>C | C<br>O<br>L | G<br>R<br>P | REMARKS |
|-----|-----------------|--------------------|-------------|---------------|--|-------------|-------------|-------------|---------|
|     |                 |                    |             | TM3160        |  |             |             |             |         |
| 1   | 1682-255-201-10 | CASE/PTO/MID       | *           | 1             |  |             |             |             |         |
| 2   | V201-361-009-00 | BOLT/M10X90        | *           | 6             |  |             |             |             |         |
| 3   | V401-160-010-00 | WASHER,SP/M10      | *           | 6             |  |             |             |             |         |
| 4   | V523-101-002-40 | PIN                | *           | 2             |  |             |             |             |         |
| 5   | V781-160-000-6B | PLUG/SCREW/SEAL    | *           | 1             |  |             |             |             |         |
| 6   | 1682-255-203-00 | PIN/20X51          | *           | 1             |  |             |             |             |         |
| 7   | 1682-255-202-00 | GEAR/SPUR/34       | *           | 1             |  |             |             |             |         |
| 8   | 1682-255-002-20 | BEARING/NEEDLE     | *           | 1             |  |             |             |             |         |
| 9   | 1480-212-003-00 | COLLAR/21X36X1     | *           | 2             |  |             |             |             |         |
| 10  | V580-140-604-00 | PIN,SPRING/6 X40 W | *           | 1             |  |             |             |             |         |
| 11  | 1682-255-204-00 | SHAFT/PTO/MID      | *           | 1             |  |             |             |             |         |
| 12  | V704-140-025-00 | RING,SNAP/25 C     | *           | 1             |  |             |             |             |         |
| 13  | 1682-255-205-10 | GEAR/SPUR/15       | *           | 1             |  |             |             |             |         |
| 14  | V600-110-630-40 | BEARING,RB/6304    | *           | 1             |  |             |             |             |         |
| 15  | 1427-212-003-20 | SLEEVE             | *           | 1             |  |             |             |             |         |
| 16  | V600-110-620-50 | BEARING,RB/6205    | *           | 1             |  |             |             |             |         |
| 17  | V705-140-052-00 | RING,SNAP/52 C     | *           | 2             |  |             |             |             |         |
| 18  | V744-135-520-80 | SEAL,OIL/TC35528   | *           | 1             |  |             |             |             |         |
| 19  | 3625-701-003-00 | CAP,BLANK/52       | *           | 1             |  |             |             |             |         |
| 20  | 1682-255-210-40 | ARM/SHIFT/MID COMP | *           | 1             |  |             |             |             |         |
| 21  | V682-200-001-00 | BALL               | *           | 1             |  |             |             |             |         |
| 22  | 1302-225-003-00 | SPRING,SHIFTER     | *           | 1             |  |             |             |             |         |
| 23  | 2703-101-020-00 | COLLAR,SHIFTER     | *           | 1             |  |             |             |             |         |
| 24  | V720-102-401-40 | O-RING/P14         | *           | 2             |  |             |             |             |         |
| 25  | V233-361-201-60 | FLANGEBOLT         | *           | 1             |  |             |             |             |         |
| 26  | 1620-255-208-00 | PLATE/I/30X50      | *           | 1             |  |             |             |             |         |
| 27  | V211-360-801-60 | BOLT,SEMS (SP)     | *           | 1             |  |             |             |             |         |
| 28  | 1444-314-009-10 | CAP,PTO SHAFT      | *           | 1             |  |             |             |             |         |
| 29  | V210-360-602-00 | BOLT/SP            | *           | 2             |  |             |             |             |         |
| 30  | 1738-255-310-10 | LEVER/PTO/MID COMP | *           | 1             |  |             |             |             |         |



**FIG. 24 DIFF CASE SYSTEM**

1717-304 -0100

| KEY | PART CODE       | DESCRIPTION          | S<br>P<br>C | TYPE OF MODEL |  | I<br>T<br>C | C<br>O<br>L | G<br>R<br>P | REMARKS |
|-----|-----------------|----------------------|-------------|---------------|--|-------------|-------------|-------------|---------|
|     |                 |                      |             | TM3160        |  |             |             |             |         |
| 1   | 1427-301-002-20 | CASE,DIFF            | *           | 1             |  |             |             |             |         |
| 2   | 1444-411-006-00 | SHAFT,DIFF. PINION   | *           | 1             |  |             |             |             |         |
| 3   | 1672-301-003-00 | PINION/BEVEL/12      | *           | 2             |  |             |             |             |         |
| 4   | 1427-301-005-00 | COLLAR,PINION THRUST | *           | 2             |  |             |             |             |         |
| 5   | 1672-301-004-00 | GEAR/BEVEL/14        | *           | 2             |  |             |             |             |         |
| 6   | 1427-301-007-00 | COLLAR,THRUST        | *           | 2             |  |             |             |             |         |
| 7   | 1427-301-009-00 | HOLDER,PINION SHAFT  | *           | 1             |  |             |             |             |         |
| 8   | 1672-301-002-00 | PIN                  | *           | 1             |  |             |             |             |         |
| 9   | V523-100-801-60 | PIN                  | *           | 1             |  |             |             |             |         |
| 10  | 1544-304-006-10 | BOLT/M8X25           | *           | 4             |  |             |             |             |         |
| 11  | V401-160-008-00 | WASHER,SP/M 8        | *           | 4             |  |             |             |             |         |
| 12  | V600-110-600-90 | BEARING,RB/6009      | *           | 1             |  |             |             |             |         |
| 13  | V600-110-601-00 | BEARING,RB/6010      | *           | 1             |  |             |             |             |         |
| 14  | 1427-201-012-00 | METAL,DIFF-CASE LH   | *           | 1             |  |             |             |             |         |
| 15  | 1427-201-013-00 | METAL,DIFF-CASE RH   | *           | 1             |  |             |             |             |         |
| 16  | 1427-201-014-10 | SHIM,DIFF-CASE A     | *           | 8             |  |             |             |             |         |
| 17  | 1427-201-015-10 | SHIM,DIFF-CASE B     | *           | 4             |  |             |             |             |         |
| 18  | V211-560-802-50 | BOLT,SEMS/M8X25 7T   | *           | 8             |  |             |             |             |         |
| 19  | 1717-304-001-00 | GEAR/SPUR/11/LH      | *           | 1             |  |             |             |             |         |
| 20  | 1717-304-002-00 | GEAR/SPUR/11/RH      | *           | 1             |  |             |             |             |         |
| 21  | V600-110-620-60 | BEARING,RB/6206      | *           | 2             |  |             |             |             |         |
| 22  | 1427-301-013-20 | CLUTCH/DIFFLOCK      | *           | 1             |  |             |             |             |         |
| 23  | 1427-301-014-10 | FORK/SHIFT/DIFFLOCK  | *           | 1             |  |             |             |             |         |
| 24  | 1427-301-015-10 | STAY,SHIFTER         | *           | 1             |  |             |             |             |         |
| 25  | 1427-301-016-00 | CAM,DIFF-LOCK        | *           | 1             |  |             |             |             |         |
| 26  | V530-240-502-40 | PIN/SLITTED          | *           | 1             |  |             |             |             |         |
| 27  | 1427-301-018-00 | SPRING,PRESS/40      | *           | 1             |  |             |             |             |         |
| 28  | V720-102-401-00 | O-RING/P10A          | *           | 1             |  |             |             |             |         |
| 29  | 1427-301-019-00 | ARM/DIFFLOCK         | *           | 1             |  |             |             |             |         |
| 30  | V304-260-010-00 | NUT                  | *           | 1             |  |             |             |             |         |





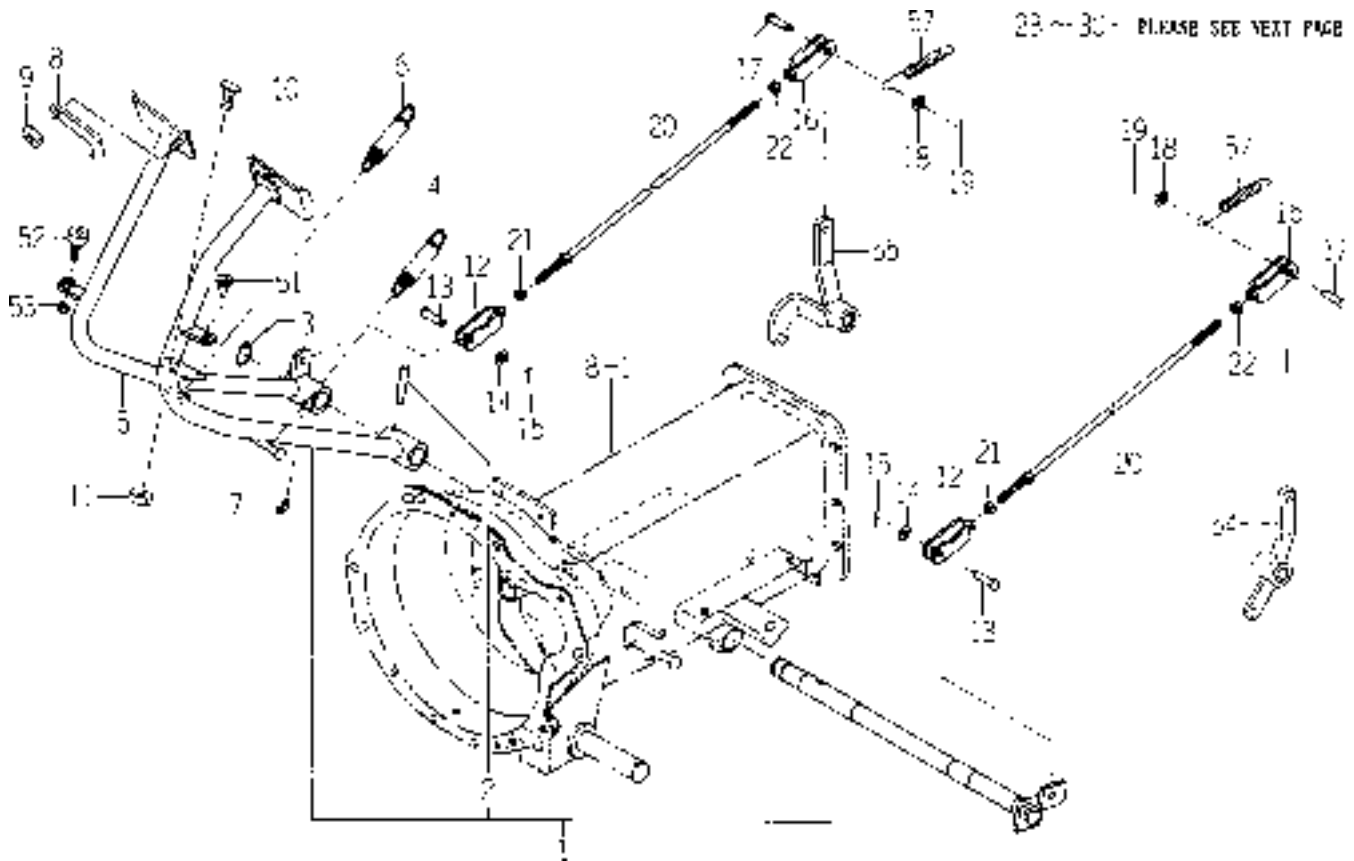








## FIG. 29 PEDAL (BRAKE) SYSTEM(1/2)

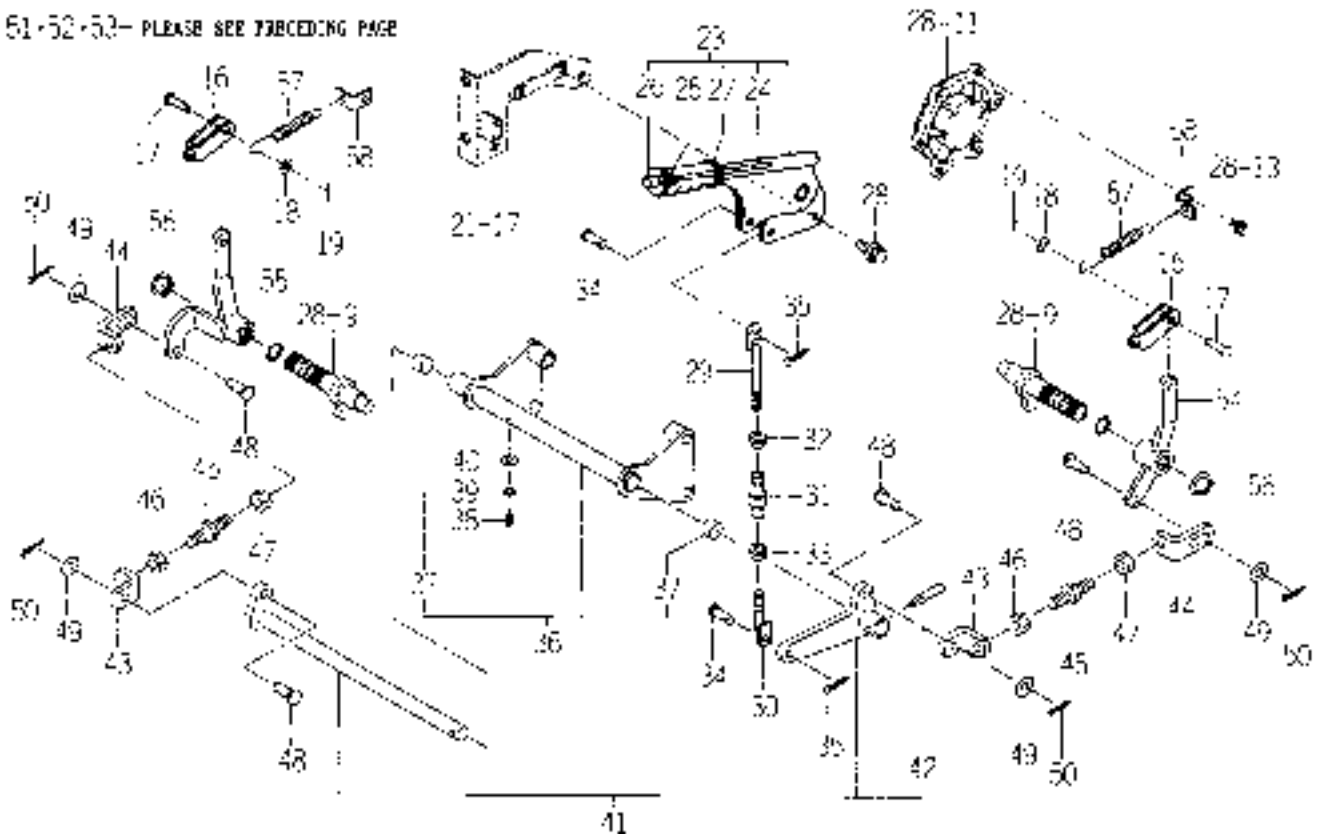


1738-312-0100

| KEY | PART CODE       | DESCRIPTION         | S<br>P<br>C | TYPE OF MODEL |  | I<br>T<br>C | C<br>O<br>L | G<br>R<br>P | REMARKS |
|-----|-----------------|---------------------|-------------|---------------|--|-------------|-------------|-------------|---------|
|     |                 |                     |             | TM3160        |  |             |             |             |         |
| 1   | 1738-312-320-20 | PEDAL/BRAKE/LH SET  | *           | 1             |  |             |             |             |         |
| 2   | V511-100-805-00 | PIN,TAPER/8X50      | *           | 1             |  |             |             |             |         |
| 3   | V704-140-022-00 | RING,SNAP/22 C      | *           | 1             |  |             |             |             |         |
| 4   | 1673-314-001-00 | SPRING/HE106        | *           | 1             |  |             |             |             |         |
| 5   | 1738-312-220-10 | PEDAL/BRAKE/RH COMP | *           | 1             |  |             |             |             |         |
| 6   | 1673-314-001-00 | SPRING/HE106        | *           | 1             |  |             |             |             |         |
| 7   | V763-150-000-00 | NIPPLE,GREASE/PT1/8 | *           | 1             |  |             |             |             |         |
| 8   | 1675-312-051-00 | LOCKPLATE           | *           | 1             |  |             |             |             |         |
| 9   | P120-605-031-00 | U-NUT               | *           | 1             |  |             |             |             |         |
| 10  | 1688-312-001-10 | BOLT/ADJUST         | *           | 1             |  |             |             |             |         |
| 11  | V304-260-008-00 | NUT                 | *           | 1             |  |             |             |             |         |
| 12  | 1415-312-500-00 | YOKE,LH             | *           | 2             |  |             |             |             |         |
| 13  | 1404-312-006-00 | PIN,YOKE A          | *           | 2             |  |             |             |             |         |
| 14  | V411-260-008-00 | WASHER,PL/M 8       | *           | 2             |  |             |             |             |         |
| 15  | V500-162-002-00 | PIN,SPLIT/2 X20     | *           | 2             |  |             |             |             |         |
| 16  | 1510-328-260-00 | YOKE COMP           | *           | 2             |  |             |             |             |         |
| 17  | 1404-312-006-00 | PIN,YOKE A          | *           | 2             |  |             |             |             |         |
| 18  | V411-260-008-00 | WASHER,PL/M 8       | *           | 2             |  |             |             |             |         |
| 19  | V500-162-002-00 | PIN,SPLIT/2 X20     | *           | 2             |  |             |             |             |         |
| 20  | 1738-312-310-00 | ROD/355 COMP        | *           | 2             |  |             |             |             |         |
| 21  | 1560-132-007-30 | NUT/M8              | *           | 2             |  |             |             |             |         |
| 22  | V304-260-008-00 | NUT                 | *           | 2             |  |             |             |             |         |
| 23  | 1740-313-300-00 | LEVER/PARKING ASSY  | *           | 1             |  |             |             |             |         |
| 24  | 1442-313-202-00 | ROD                 | *           | 1             |  |             |             |             |         |
| 25  | 1444-328-273-00 | SPRING              | *           | 1             |  |             |             |             |         |
| 26  | 1444-328-272-00 | BUTTON              | *           | 1             |  |             |             |             |         |
| 27  | 1740-313-301-00 | GRIP/ORANGE         | *           | 1             |  |             |             |             |         |
| 28  | V211-360-802-50 | BOLT/SP             | *           | 2             |  |             |             |             |         |
| 29  | 1738-312-280-00 | ROD/115 COMP        | *           | 1             |  |             |             |             |         |
| 30  | 1738-312-290-00 | ROD/70 COMP         | *           | 1             |  |             |             |             |         |

# FIG. 29 PEDAL (BRAKE) SYSTEM(2/2)

51-52-53- PLEASE SEE PRECEDING PAGE

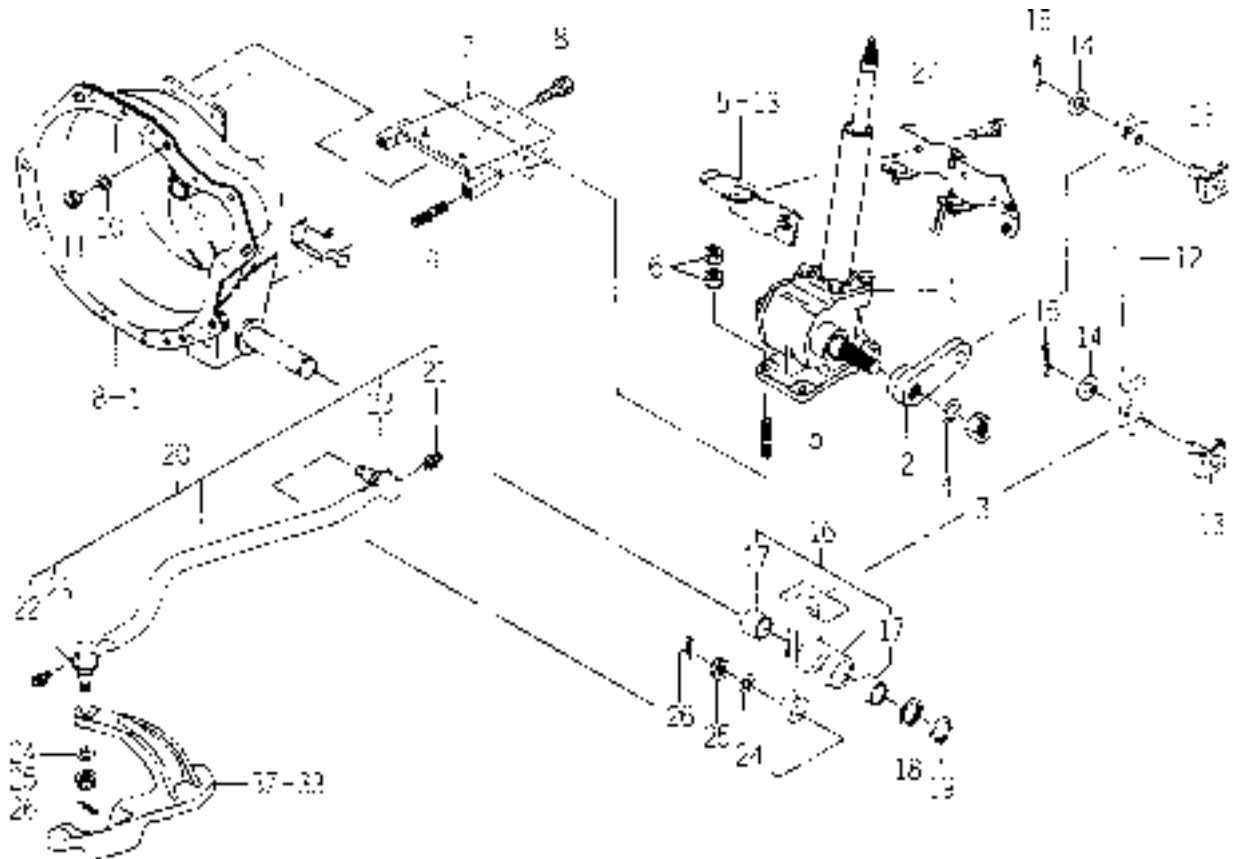


1738-312-0100

| KEY | PART CODE       | DESCRIPTION       | S<br>P<br>C | TYPE OF MODEL |  | I<br>T<br>C | C<br>O<br>L | G<br>R<br>P | REMARKS |
|-----|-----------------|-------------------|-------------|---------------|--|-------------|-------------|-------------|---------|
|     |                 |                   |             | TM3160        |  |             |             |             |         |
| 31  | 1444-122-002-00 | TURNBUCKLE/M8     | *           | 1             |  |             |             |             |         |
| 32  | V304-260-008-00 | NUT               | *           | 1             |  |             |             |             |         |
| 33  | 1560-132-007-30 | NUT/M8            | *           | 1             |  |             |             |             |         |
| 34  | 1673-730-008-00 | PIN/08X19         | *           | 2             |  |             |             |             |         |
| 35  | V500-162-002-00 | PIN,SPLIT/2 X20   | *           | 2             |  |             |             |             |         |
| 36  | 1738-312-300-10 | HOLDER/SHAFT ASSY | *           | 1             |  |             |             |             |         |
| 37  | 3668-612-001-00 | BUSH              | *           | 2             |  |             |             |             |         |
| 38  | V760-150-000-00 | NIPPLE,GREASE     | *           | 1             |  |             |             |             |         |
| 39  | V401-160-006-00 | WASHER,SP/M 6     | *           | 1             |  |             |             |             |         |
| 40  | V411-260-006-00 | WASHER / M6       | *           | 1             |  |             |             |             |         |
| 41  | 1738-312-200-00 | SHAFT/BRAKE SET   | *           | 1             |  |             |             |             |         |
| 42  | V511-100-805-00 | PIN,TAPER/8X50    | *           | 1             |  |             |             |             |         |
| 43  | 1738-312-005-00 | PLATE/PARKING/A   | *           | 2             |  |             |             |             |         |
| 44  | 1738-312-006-00 | PLATE/PARKING/B   | *           | 2             |  |             |             |             |         |
| 45  | 1738-312-007-00 | ROD/M12X66        | *           | 2             |  |             |             |             |         |
| 46  | V304-260-012-00 | NUT/M12           | *           | 2             |  |             |             |             |         |
| 47  | 2146-360-014-00 | NUT/M12/LH        | *           | 2             |  |             |             |             |         |
| 48  | 1627-122-008-00 | PIN/10X25         | *           | 4             |  |             |             |             |         |
| 49  | V411-260-010-00 | WASHER/M10        | *           | 4             |  |             |             |             |         |
| 50  | V500-162-502-00 | PIN,SPLIT/2.5X20  | *           | 4             |  |             |             |             |         |
| 51  | 1432-616-002-00 | RUBBER,CUSHION    | *           | 1             |  |             |             |             |         |
| 52  | 1560-630-024-00 | INSULATOR         | *           | 1             |  |             |             |             |         |
| 53  | V304-260-008-00 | NUT               | *           | 1             |  |             |             |             |         |
| 54  | 1738-312-240-00 | ARM/BRAKE/LH COMP | *           | 1             |  |             |             |             |         |
| 55  | 1738-312-260-00 | ARM/BRAKE/RH COMP | *           | 1             |  |             |             |             |         |
| 56  | V704-140-022-00 | RING,SNAP/22 C    | *           | 2             |  |             |             |             |         |
| 57  | 3659-480-003-00 | SPRING/HE110      | *           | 2             |  |             |             |             |         |
| 58  | 1738-312-009-00 | PLATE/L/28X28     | *           | 2             |  |             |             |             |         |



**FIG. 31 STEERING (MANUAL) SYSTEM**



1738-406-0100

| KEY | PART CODE       | DESCRIPTION          | S<br>P<br>C | TYPE OF MODEL |  | I<br>T<br>C | C<br>O<br>L | G<br>R<br>P | REMARKS |
|-----|-----------------|----------------------|-------------|---------------|--|-------------|-------------|-------------|---------|
|     |                 |                      |             | TM3160        |  |             |             |             |         |
| 1   | 1682-406-210-10 | CASE/STEERING ASSY   | *           | 1             |  |             |             |             | FIG 072 |
| 2   | 1672-406-201-00 | ARM/PITMAN           | *           | 1             |  |             |             |             |         |
| 3   | V334-260-020-00 | NUT                  | *           | 1             |  |             |             |             |         |
| 4   | V401-160-020-00 | WASHER,SP/M20        | *           | 1             |  |             |             |             |         |
| 5   | 1672-406-005-00 | BOLT/STUD/M10X35     | *           | 4             |  |             |             |             |         |
| 6   | V334-460-010-00 | NUT/M10 7T P=1.25    | *           | 8             |  |             |             |             |         |
| 7   | 1738-406-200-00 | BRACKET/STEERIN COMP | *           | 1             |  |             |             |             |         |
| 8   | V211-561-002-00 | BOLT/M10X20          | *           | 2             |  |             |             |             |         |
| 9   | V251-341-003-00 | BOLT/STUD            | *           | 2             |  |             |             |             |         |
| 10  | V401-160-010-00 | WASHER,SP/M10        | *           | 2             |  |             |             |             |         |
| 11  | V304-460-010-00 | NUT/M10              | *           | 2             |  |             |             |             |         |
| 12  | 1738-406-210-00 | ROD/STEERING COMP    | *           | 1             |  |             |             |             |         |
| 13  | 1726-406-260-00 | PIN/15X42 COMP       | *           | 2             |  |             |             |             |         |
| 14  | V411-260-014-00 | WASHER,PL/M14        | *           | 2             |  |             |             |             |         |
| 15  | V500-162-502-50 | PIN,SPLIT/2.5X25     | *           | 2             |  |             |             |             |         |
| 16  | 1672-406-230-00 | ARM/STEERING ASSY    | *           | 1             |  |             |             |             |         |
| 17  | 1593-402-051-10 | BUSH/25X28X25        | *           | 2             |  |             |             |             |         |
| 18  | 1612-406-001-00 | WASHER/26X35X02      | *           | 1             |  |             |             |             |         |
| 19  | V704-140-025-00 | RING,SNAP/25 C       | *           | 1             |  |             |             |             |         |
| 20  | 1738-406-240-00 | ROD/DRAG ASSY        | *           | 1             |  |             |             |             |         |
| 21  | 1404-402-005-00 | NIPPLE,GREASE        | *           | 1             |  |             |             |             |         |
| 22  | 1404-402-005-00 | NIPPLE,GREASE        | *           | 1             |  |             |             |             |         |
| 23  | 1427-406-018-00 | COVER,DUST           | *           | 2             |  |             |             |             |         |
| 24  | V401-160-010-00 | WASHER,SP/M10        | *           | 2             |  |             |             |             |         |
| 25  | V327-262-110-00 | NUT/M10X1.25         | *           | 2             |  |             |             |             |         |
| 26  | V500-162-502-00 | PIN,SPLIT/2.5X20     | *           | 2             |  |             |             |             |         |
| 27  | 1738-406-230-00 | BRACKET/REAR COMP    | *           | 1             |  |             |             |             |         |





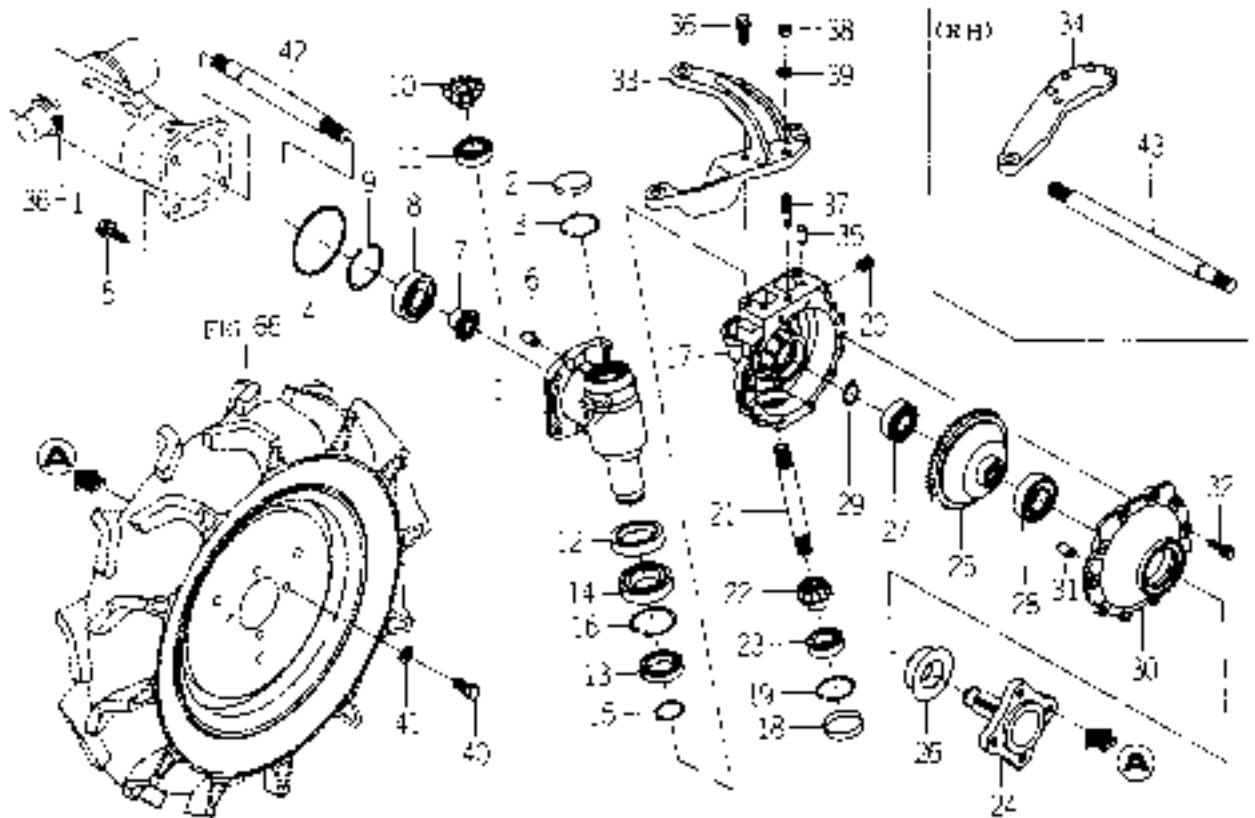








**FIG. 37 FINAL GEAR CASE SYSTEM**



1726-434-0100,1703-435-0100

| KEY | PART CODE       | DESCRIPTION       | S<br>P<br>C | TYPE OF MODEL |  | I<br>T<br>C | C<br>O<br>L | G<br>R<br>P | REMARKS |
|-----|-----------------|-------------------|-------------|---------------|--|-------------|-------------|-------------|---------|
|     |                 |                   |             | TM3160        |  |             |             |             |         |
| 1   | 1672-434-009-00 | CASE/FINAL        | *           | 2             |  |             |             |             |         |
| 2   | 1564-201-003-00 | CAP/SEAL/47       | *           | 2             |  |             |             |             |         |
| 3   | V705-140-047-00 | RING,SNAP/47 C    | *           | 2             |  |             |             |             |         |
| 4   | V721-103-109-00 | O-RING/G90        | *           | 2             |  |             |             |             |         |
| 5   | V211-561-003-00 | BOLT/M10X30       | *           | 8             |  |             |             |             |         |
| 6   | V523-101-002-40 | PIN               | *           | 4             |  |             |             |             |         |
| 7   | 1703-434-003-00 | GEAR/BEVEL/11     | *           | 2             |  |             |             |             |         |
| 8   | V600-110-630-50 | BEARING,RB/6305   | *           | 2             |  |             |             |             |         |
| 9   | V707-140-062-00 | RING/SNAP         | *           | 2             |  |             |             |             |         |
| 10  | 1703-434-004-00 | GEAR/BEVEL/15     | *           | 2             |  |             |             |             |         |
| 11  | V600-110-600-50 | BEARING,RB/6005   | *           | 2             |  |             |             |             |         |
| 12  | 1488-413-023-10 | SEAL,OIL          | *           | 2             |  |             |             |             |         |
| 13  | V600-110-690-70 | BEARING           | *           | 2             |  |             |             |             |         |
| 14  | V600-110-600-80 | BEARING,RB/6008   | *           | 2             |  |             |             |             |         |
| 15  | V704-140-035-00 | RING,SNAP/35 C    | *           | 2             |  |             |             |             |         |
| 16  | V707-140-055-00 | RING/SNAP         | *           | 2             |  |             |             |             |         |
| 17  | 1672-434-011-10 | CASE/FINAL        | *           | 2             |  |             |             |             |         |
| 18  | 1564-201-003-00 | CAP/SEAL/47       | *           | 2             |  |             |             |             |         |
| 19  | V705-140-047-00 | RING,SNAP/47 C    | *           | 2             |  |             |             |             |         |
| 20  | V782-160-000-4B | PLUG/SCREW/SEAL   | *           | 4             |  |             |             |             |         |
| 21  | 1612-434-006-00 | SHAFT             | *           | 2             |  |             |             |             |         |
| 22  | 1672-434-007-00 | GEAR/BEVEL/12     | *           | 2             |  |             |             |             |         |
| 23  | V600-110-600-50 | BEARING,RB/6005   | *           | 2             |  |             |             |             |         |
| 24  | 1681-434-002-10 | SHAFT/WHEEL       | *           | 2             |  |             |             |             |         |
| 25  | 1672-434-008-00 | GEAR/BEVEL/47     | *           | 2             |  |             |             |             |         |
| 26  | 1491-434-017-00 | SEAL/QLNY35571116 | *           | 2             |  |             |             |             |         |
| 27  | V600-110-620-50 | BEARING,RB/6205   | *           | 2             |  |             |             |             |         |
| 28  | V600-110-620-60 | BEARING,RB/6206   | *           | 2             |  |             |             |             |         |
| 29  | V704-140-025-00 | RING,SNAP/25 C    | *           | 2             |  |             |             |             |         |
| 30  | 1612-434-009-00 | COVER/WHEEL       | *           | 2             |  |             |             |             |         |







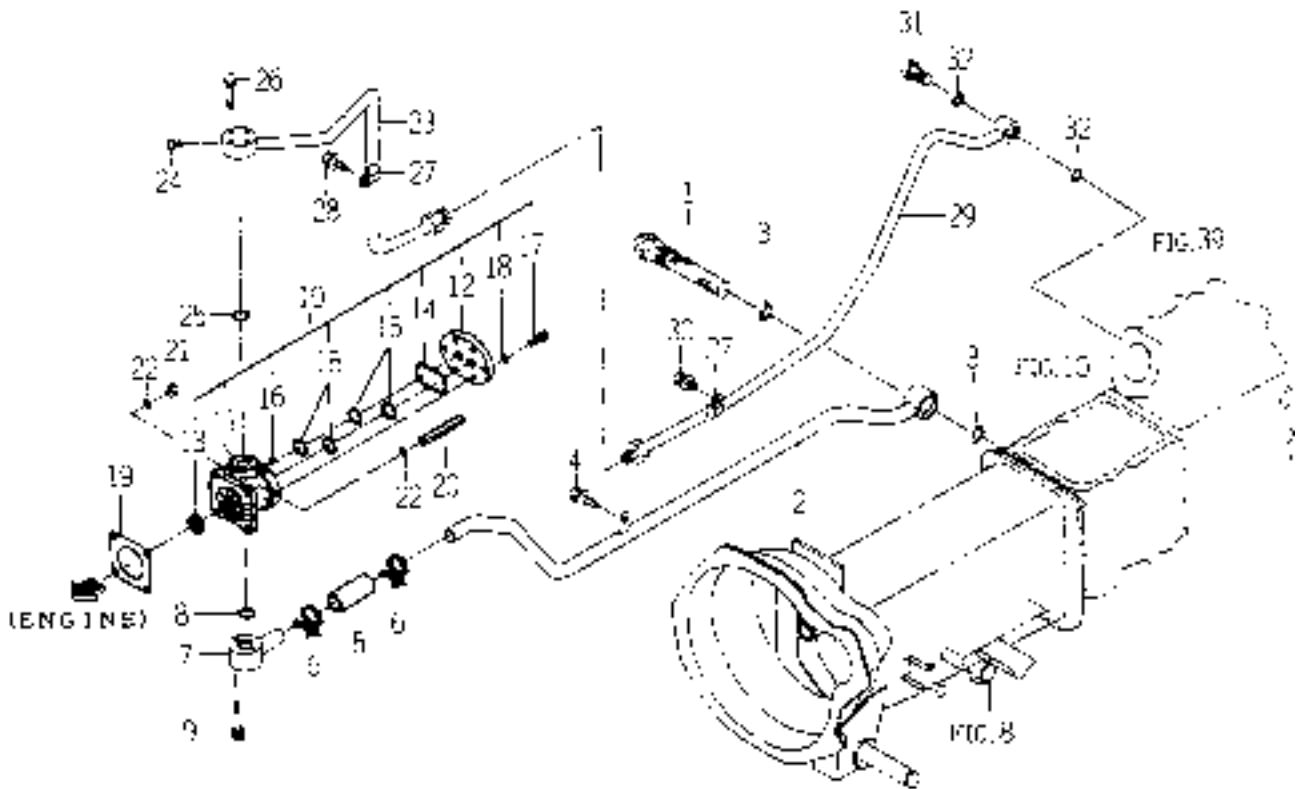








## FIG. 43 PIPING SYSTEM

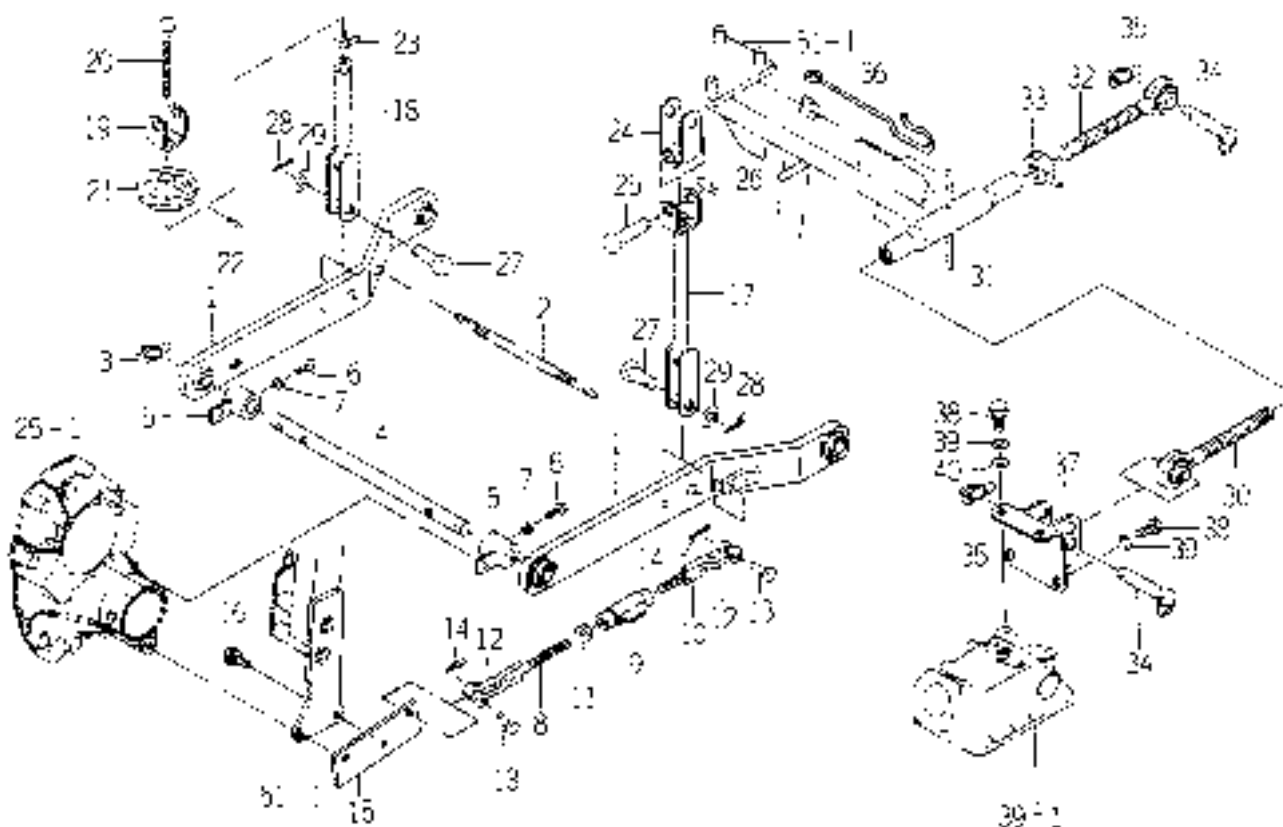


1738-508-0100

| KEY | PART CODE       | DESCRIPTION         | S<br>P<br>C | TYPE OF MODEL |  | I<br>T<br>C | C<br>O<br>L | G<br>R<br>P | REMARKS |
|-----|-----------------|---------------------|-------------|---------------|--|-------------|-------------|-------------|---------|
|     |                 |                     |             | TM3160        |  |             |             |             |         |
| 1   | 1738-508-210-00 | FILTER/SUCTION COMP | *           | 1             |  |             |             |             |         |
| 2   | 1738-508-220-00 | PIPE/SUCTION/REAR   | *           | 1             |  |             |             |             |         |
| 3   | V720-113-502-80 | RING/O              | *           | 2             |  |             |             |             |         |
| 4   | V211-360-801-60 | BOLT,SEMS (SP)      | *           | 1             |  |             |             |             |         |
| 5   | 1675-508-004-00 | HOSE/70             | *           | 1             |  |             |             |             |         |
| 6   | J061-224-032-00 | CLAMP/WIRE/24-32    | *           | 2             |  |             |             |             |         |
| 7   | 1726-508-230-00 | PIPE/SUC/FRONT COMP | *           | 1             |  |             |             |             |         |
| 8   | V720-112-402-00 | O-RING/P20          | *           | 1             |  |             |             |             |         |
| 9   | V210-560-604-50 | BOLT/S              | *           | 2             |  |             |             |             |         |
| 10  | K135-023-000-00 | PUMP GEAR ASSY      | *           | 1             |  |             |             |             |         |
| 11  | K135-023-100-00 | GEAR PUMP SET       | *           | 1             |  |             |             |             |         |
| 12  | K135-017-006-00 | COVER,PUMP          | *           | 1             |  |             |             |             |         |
| 13  | V744-114-280-70 | SEAL,OIL            | *           | 1             |  |             |             |             |         |
| 14  | V721-113-105-00 | O-RING HS90 G50     | *           | 1             |  |             |             |             |         |
| 15  | V720-112-402-20 | O-RING/P22          | *           | 4             |  |             |             |             |         |
| 16  | V720-111-900-60 | O-RING P6 HS90      | *           | 1             |  |             |             |             |         |
| 17  | K135-002-009-00 | BOLT/M8X28 11T      | *           | 6             |  |             |             |             |         |
| 18  | V401-170-008-00 | S.W                 | *           | 6             |  |             |             |             |         |
| 19  | 1404-503-006-00 | PACKING,OIL PUMP    | *           | 1             |  |             |             |             |         |
| 20  | 1560-515-004-50 | NUT/M08             | *           | 1             |  |             |             |             |         |
| 21  | V304-260-008-00 | NUT                 | *           | 3             |  |             |             |             |         |
| 22  | V401-160-008-00 | WASHER,SP/M 8       | *           | 4             |  |             |             |             |         |
| 23  | 1738-508-230-00 | PIPE/DELIVERY/FRONT | *           | 1             |  |             |             |             |         |
| 24  | V782-160-000-2T | PLUG/SCREW/SEAL     | *           | 1             |  |             |             |             |         |
| 25  | V720-112-402-00 | O-RING/P20          | *           | 1             |  |             |             |             |         |
| 26  | V210-560-603-00 | BOLT/S              | *           | 4             |  |             |             |             |         |
| 27  | 1675-508-003-00 | HOLDER/15           | *           | 2             |  |             |             |             |         |
| 28  | V211-360-801-60 | BOLT,SEMS (SP)      | *           | 1             |  |             |             |             |         |
| 29  | 1738-508-240-00 | PIPE/DELIVERY/REAR  | *           | 1             |  |             |             |             |         |
| 30  | V211-360-801-60 | BOLT,SEMS (SP)      | *           | 1             |  |             |             |             |         |



FIG. 44 LINK (3P) SYSTEM



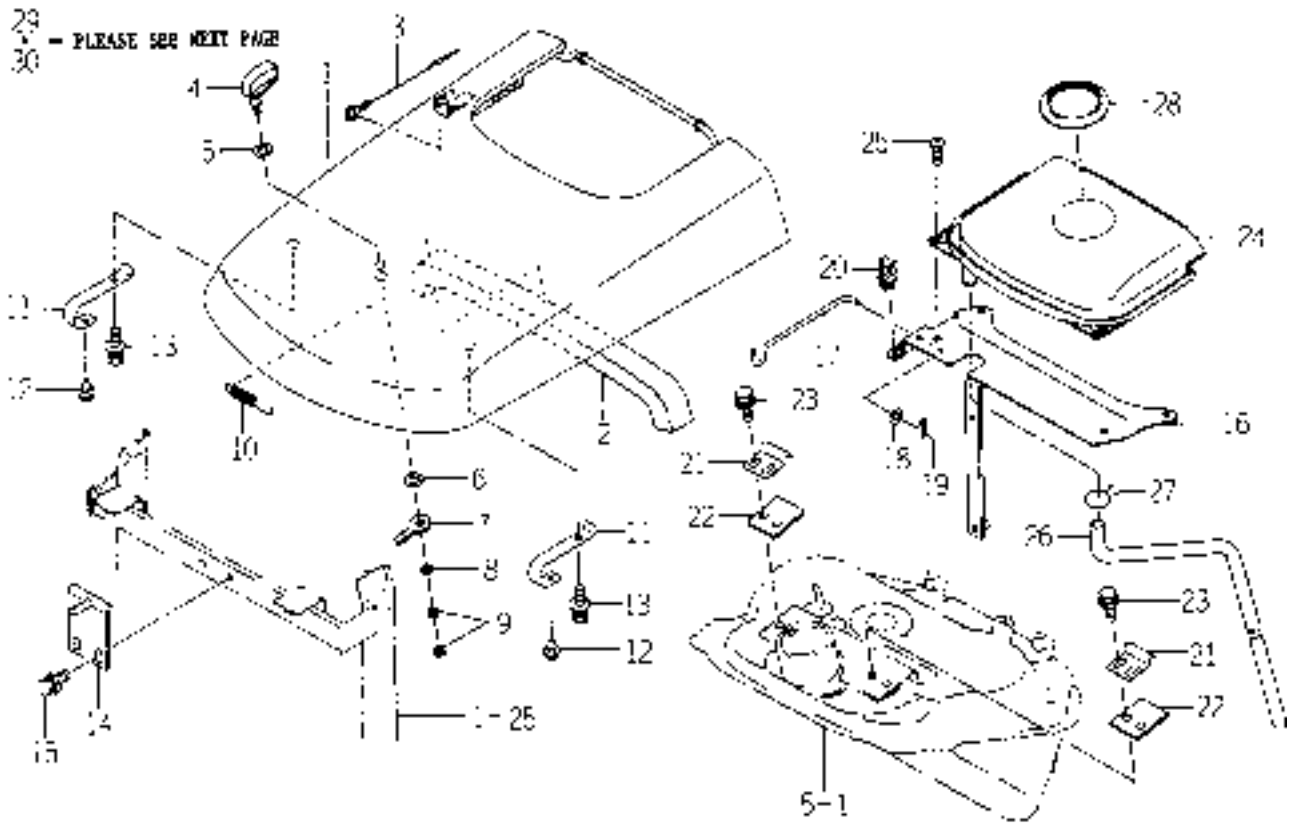
1738-514-0100

| KEY | PART CODE       | DESCRIPTION          | S<br>P<br>C | TYPE OF MODEL |  | I<br>T<br>C | C<br>O<br>L | G<br>R<br>P | REMARKS |
|-----|-----------------|----------------------|-------------|---------------|--|-------------|-------------|-------------|---------|
|     |                 |                      |             | TM3160        |  |             |             |             |         |
| 1   | 1435-511-250-10 | LINK/LOWER COMP      | *           | 2             |  |             |             |             |         |
| 2   | 1560-525-001-40 | SPRING               | *           | 1             |  |             |             |             |         |
| 3   | 1673-525-002-20 | LINKPIN              | *           | 2             |  |             |             |             |         |
| 4   | 1738-514-001-00 | PIN/22X404           | *           | 1             |  |             |             |             |         |
| 5   | 1738-514-210-00 | HUB/SPACER COMP      | *           | 2             |  |             |             |             |         |
| 6   | V201-360-802-50 | BOLT/M 8X25          | *           | 2             |  |             |             |             |         |
| 7   | V305-260-008-00 | NUT/M 8              | *           | 2             |  |             |             |             |         |
| 8   | 1435-511-270-00 | CHAIN/CHECK/148 COMP | *           | 2             |  |             |             |             |         |
| 9   | 1427-511-320-00 | TURNBUCKLE 12 COMP   | *           | 2             |  |             |             |             |         |
| 10  | 1427-511-220-00 | CHAIN,CHECK RH       | *           | 2             |  |             |             |             |         |
| 11  | V305-260-012-00 | NUT/M12              | *           | 2             |  |             |             |             |         |
| 12  | 1427-511-002-00 | SHACKLE              | *           | 4             |  |             |             |             |         |
| 13  | 1427-511-001-00 | PIN/10X32            | *           | 4             |  |             |             |             |         |
| 14  | V500-162-502-00 | PIN,SPLIT/2.5X20     | *           | 4             |  |             |             |             |         |
| 15  | 1738-514-002-00 | STAY/PLATE           | *           | 2             |  |             |             |             |         |
| 16  | V211-561-003-00 | BOLT/M10X30          | *           | 2             |  |             |             |             |         |
| 17  | 1427-511-270-00 | ROD/LIFT/LH COMP     | *           | 1             |  |             |             |             |         |
| 18  | 1427-511-290-00 | ROD/LIFT/RH COMP     | *           | 1             |  |             |             |             |         |
| 19  | 1427-511-273-00 | FORK                 | *           | 1             |  |             |             |             |         |
| 20  | 1427-511-003-00 | SCREW                | *           | 1             |  |             |             |             |         |
| 21  | 1427-511-004-00 | HANDLE/ADJUST        | *           | 1             |  |             |             |             |         |
| 22  | V580-140-503-20 | PIN,SPRING/5 X32 W   | *           | 1             |  |             |             |             |         |
| 23  | 1427-511-280-00 | NUT,LOCK/16          | *           | 1             |  |             |             |             |         |
| 24  | 1427-511-300-00 | FORK/BRACKET COMP    | *           | 2             |  |             |             |             |         |
| 25  | 1423-520-001-10 | PIN/16X63            | *           | 2             |  |             |             |             |         |
| 26  | 1305-931-003-00 | PIN,HAIR             | *           | 2             |  |             |             |             |         |
| 27  | 1427-511-005-00 | PIN/16X44            | *           | 2             |  |             |             |             |         |
| 28  | V500-164-002-50 | PIN,SPLIT/4 X25      | *           | 2             |  |             |             |             |         |
| 29  | V411-260-016-00 | WASHER / M16         | *           | 2             |  |             |             |             |         |
| 30  | 1427-511-250-10 | LINK, TOP LH COMP    | *           | 1             |  |             |             |             |         |





FIG. 46 HOOD SYSTEM(1/2)



1738-601-0100

| KEY | PART CODE       | DESCRIPTION        | S<br>P<br>C | TYPE OF MODEL |  | I<br>T<br>C | C<br>O<br>L | G<br>R<br>P | REMARKS |
|-----|-----------------|--------------------|-------------|---------------|--|-------------|-------------|-------------|---------|
|     |                 |                    |             | TM3160        |  |             |             |             |         |
| 1   | 1726-601-200-20 | HOOD COMP          | *           | 1             |  |             | 4L          |             |         |
| 2   | 1726-601-007-00 | INSULATOR          | *           | 1             |  |             |             |             |         |
| 3   | 1726-601-012-00 | CABLE/HOOD COMP    | *           | 1             |  |             |             |             |         |
| 4   | 1675-601-002-00 | HANDLE             | *           | 1             |  |             |             |             |         |
| 5   | 1650-601-007-00 | WASHER/12X25X02    | *           | 1             |  |             |             |             |         |
| 6   | 3610-440-018-00 | WASHER             | *           | 1             |  |             |             |             |         |
| 7   | 1726-601-011-00 | ARM/PLATE          | *           | 1             |  |             |             |             |         |
| 8   | V411-260-008-00 | WASHER,PL/M 8      | *           | 1             |  |             |             |             |         |
| 9   | V304-260-008-00 | NUT                | *           | 2             |  |             |             |             |         |
| 10  | 1588-117-001-00 | SPRING/HE089       | *           | 1             |  |             |             |             |         |
| 11  | 1726-601-005-00 | SPRING/HOOD        | *           | 2             |  |             |             |             |         |
| 12  | 1432-616-002-00 | RUBBER,CUSHION     | *           | 2             |  |             |             |             |         |
| 13  | V211-360-801-60 | BOLT,SEMS (SP)     | *           | 2             |  |             |             |             |         |
| 14  | 1726-601-220-00 | PLATE/LOCK COMP    | *           | 1             |  |             |             |             |         |
| 15  | V211-360-801-60 | BOLT,SEMS (SP)     | *           | 2             |  |             |             |             |         |
| 16  | 1738-601-210-00 | BRACKET COMP       | *           | 1             |  |             |             |             |         |
| 17  | 1726-601-001-00 | ROD/HOOD           | *           | 1             |  |             |             |             |         |
| 18  | V411-260-006-00 | WASHER / M6        | *           | 1             |  |             |             |             |         |
| 19  | V500-162-002-00 | PIN,SPLIT/2 X20    | *           | 1             |  |             |             |             |         |
| 20  | P103-601-005-00 | HOLDER/ROD         | *           | 1             |  |             |             |             |         |
| 21  | 1726-601-004-00 | HOLDER/HOOD        | *           | 2             |  |             |             |             |         |
| 22  | 1726-601-014-00 | PLATE/I/38X60      | *           | 2             |  |             |             |             |         |
| 23  | V211-360-801-60 | BOLT,SEMS (SP)     | *           | 4             |  |             |             |             |         |
| 24  | 1726-601-003-00 | HOOD/UPPER         | *           | 1             |  |             |             |             |         |
| 25  | 3676-491-005-00 | SCREW/M6X16        | *           | 2             |  |             |             |             |         |
| 26  | 1614-111-002-10 | HOSE/03X07X800     | *           | 1             |  |             |             |             |         |
| 27  |                 | WIRE               | *           | 1             |  |             |             |             |         |
| 28  | 1560-111-003-20 | COVER              | *           | 1             |  |             |             |             |         |
| 29  | 1738-601-200-00 | COVER/SIDE/LH COMP | *           | 1             |  |             | 4L          |             |         |
| 30  | 1726-601-008-00 | INSULATOR/LH       | *           | 1             |  |             |             |             |         |















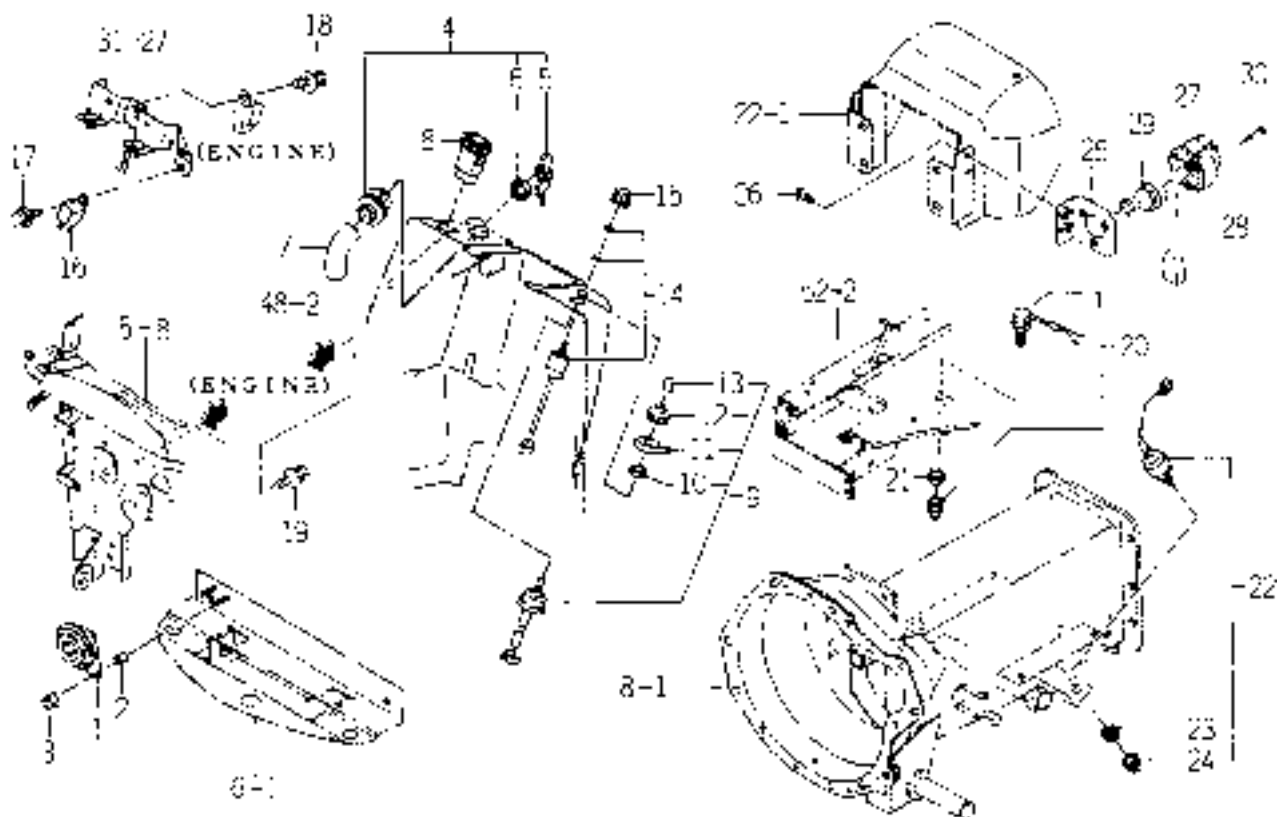








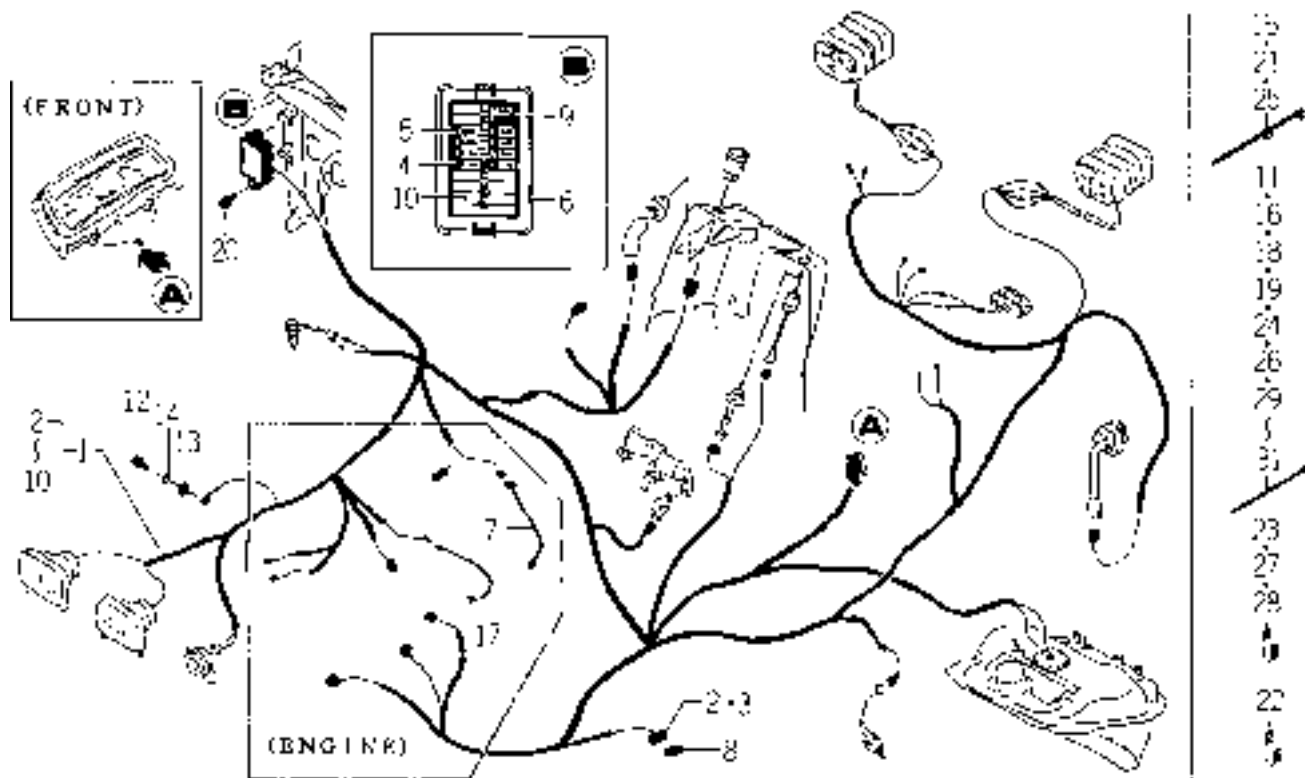
### FIG. 55 SWITCH SYSTEM



1738-680-0100

| KEY | PART CODE       | DESCRIPTION          | S<br>P<br>C | TYPE OF MODEL |  | I<br>T<br>C | C<br>O<br>L | G<br>R<br>P | REMARKS         |
|-----|-----------------|----------------------|-------------|---------------|--|-------------|-------------|-------------|-----------------|
|     |                 |                      |             | TM3160        |  |             |             |             |                 |
| 1   | 1740-680-530-00 | HORN ASSY            | *           | 1             |  |             |             |             |                 |
| 2   | 2150-661-002-00 | COLLAR               | *           | 2             |  |             |             |             |                 |
| 3   | V360-260-006-00 | NUT/M6               | *           | 2             |  |             |             |             |                 |
| 4   | 1716-680-200-10 | SWITCH/MAIN ASSY     | *           | 1             |  |             |             |             |                 |
| 5   | 2186-536-211-00 | KEY                  | *           | 2             |  |             |             |             |                 |
| 6   | 2186-536-212-00 | NUT/RING             | *           | 1             |  |             |             |             |                 |
| 7   | 1716-680-006-00 | COVER/SWITCH         | *           | 1             |  |             |             |             |                 |
| 8   | 1740-680-550-00 | SWITCH/HAZARD ASSY   | *           | 1             |  |             |             |             |                 |
| 9   | 1544-623-001-00 | SWITCH ASSY          | *           | 1             |  |             |             |             |                 |
| 10  | 1544-623-232-00 | NUT/M22              | *           | 1             |  |             |             |             |                 |
| 11  | 1544-623-233-00 | LEVER                | *           | 1             |  |             |             |             |                 |
| 12  | 1544-623-234-00 | KNOB                 | *           | 1             |  |             |             |             |                 |
| 13  | 1544-623-235-00 | BOOT/HORN            | *           | 1             |  |             |             |             |                 |
| 14  | 1614-680-220-00 | SWITCH/ROTARY/2 ASSY | *           | 1             |  |             |             |             |                 |
| 15  | 1588-651-205-00 | KNOB                 | *           | 1             |  |             |             |             |                 |
| 16  | 1600-623-002-00 | FLASHER ASSY         | *           | 1             |  |             |             |             | 4DM0-033-600-01 |
| 17  | V210-360-601-60 | BOLT(SP)/M6X16       | *           | 1             |  |             |             |             |                 |
| 18  | V210-360-601-60 | BOLT(SP)/M6X16       | *           | 1             |  |             |             |             |                 |
| 19  | V210-360-602-50 | BOLT/SP              | *           | 2             |  |             |             |             |                 |
| 20  | 1518-621-320-00 | SWITCH,STOP          | *           | 1             |  |             |             |             |                 |
| 21  | V335-260-012-00 | NUT                  | *           | 1             |  |             |             |             |                 |
| 22  | 1560-664-250-00 | SWITCH/PUSH SET      | *           | 1             |  |             |             |             |                 |
| 23  | 1560-664-252-00 | NUT                  | *           | 1             |  |             |             |             |                 |
| 24  | 1560-664-253-00 | BOOT                 | *           | 1             |  |             |             |             |                 |
| 25  | 1682-690-370-10 | BRACKET/COUPLER/7P   | *           | 1             |  |             |             |             |                 |
| 26  | V211-261-003-50 | BOLT,SEMS            | *           | 2             |  |             |             |             |                 |
| 27  | 1600-624-201-00 | PLUG/7P              | *           | 1             |  |             |             |             | 8JB0-019-430-01 |
| 28  | 1682-690-380-00 | HARNESS/SOCKET ASSY  | *           | 1             |  |             |             |             |                 |
| 29  | 1650-654-036-00 | GROMMET/10X40X03     | *           | 1             |  |             |             |             |                 |
| 30  | V120-265-003-00 | BOLT/M5X30           | *           | 3             |  |             |             |             |                 |

FIG. 56 HARNESS SYSTEM



1738-690-0100

| KEY | PART CODE       | DESCRIPTION          | S<br>P<br>C | TYPE OF MODEL |  | I<br>T<br>C | C<br>O<br>L | G<br>R<br>P | REMARKS |
|-----|-----------------|----------------------|-------------|---------------|--|-------------|-------------|-------------|---------|
|     |                 |                      |             | TM3160        |  |             |             |             |         |
| 1   | 1738-690-200-00 | HARNESS/MAIN/E4 ASSY | *           | 1             |  |             |             |             |         |
| 2   | 1716-690-502-00 | FUSE/SLOWBLOW/30A    | *           | 1             |  |             |             |             |         |
| 3   | 1650-650-222-00 | FUSE/SLOWBLOW        | *           | 1             |  |             |             |             |         |
| 4   | 3821-262-202-00 | FUSE/BLADE/32V10A    | *           | 5             |  |             |             |             |         |
| 5   | 3821-262-204-00 | FUSE/BLADE/32V20A    | *           | 4             |  |             |             |             |         |
| 6   | 3827-270-001-00 | COVER/FUSE           | *           | 1             |  |             |             |             |         |
| 7   | 1710-690-502-00 | HARNESS/EARTH        | *           | 1             |  |             |             |             |         |
| 8   | 1738-690-202-00 | RABEL/FUSE/SLOWBLOW  | *           | 1             |  |             |             |             |         |
| 9   | 3827-270-002-00 | TOOL/FUSE            | *           | 1             |  |             |             |             |         |
| 10  | 1738-690-203-00 | LABEL/FUSE/E4        | *           | 1             |  |             |             |             |         |
| 11  | 1376-402-003-00 | BAND,WIRE/140        | *           | 1             |  |             |             |             |         |
| 12  | V201-261-001-60 | BOLT/M10X16          | *           | 1             |  |             |             |             |         |
| 13  | V411-260-010-00 | WASHER/M10           | *           | 1             |  |             |             |             |         |
| 14  | V401-160-010-00 | WASHER,SP/M10        | *           | 1             |  |             |             |             |         |
| 15  | 1560-666-004-00 | BAND                 | *           | 1             |  |             |             |             |         |
| 16  | 1376-402-003-00 | BAND,WIRE/140        | *           | 1             |  |             |             |             |         |
| 17  | 1600-624-004-00 | HARNESS,OIL PRESSURE | *           | 1             |  |             |             |             |         |
| 18  | 1342-402-006-00 | BAND,WIRE/250        | *           | 1             |  |             |             |             |         |
| 19  | 1376-402-003-00 | BAND,WIRE/140        | *           | 1             |  |             |             |             |         |
| 20  | V210-360-601-60 | BOLT(SP)/M6X16       | *           | 2             |  |             |             |             |         |
| 21  | 1560-666-004-00 | BAND                 | *           | 1             |  |             |             |             |         |
| 22  | 1425-621-004-00 | HOLDER/JE/9-9        | *           | 1             |  |             |             |             |         |
| 23  | 3737-172-011-00 | CLAMP,HARNESS        | *           | 1             |  |             |             |             |         |
| 24  | 1376-402-003-00 | BAND,WIRE/140        | *           | 1             |  |             |             |             |         |
| 25  | 1560-666-004-00 | BAND                 | *           | 3             |  |             |             |             |         |
| 26  | 1376-402-003-00 | BAND,WIRE/140        | *           | 1             |  |             |             |             |         |
| 27  | 3737-172-011-00 | CLAMP,HARNESS        | *           | 1             |  |             |             |             |         |
| 28  | 3737-172-011-00 | CLAMP,HARNESS        | *           | 1             |  |             |             |             |         |
| 29  | 1376-402-003-00 | BAND,WIRE/140        | *           | 2             |  |             |             |             |         |
| 30  | 1342-402-006-00 | BAND,WIRE/250        | *           | 2             |  |             |             |             |         |







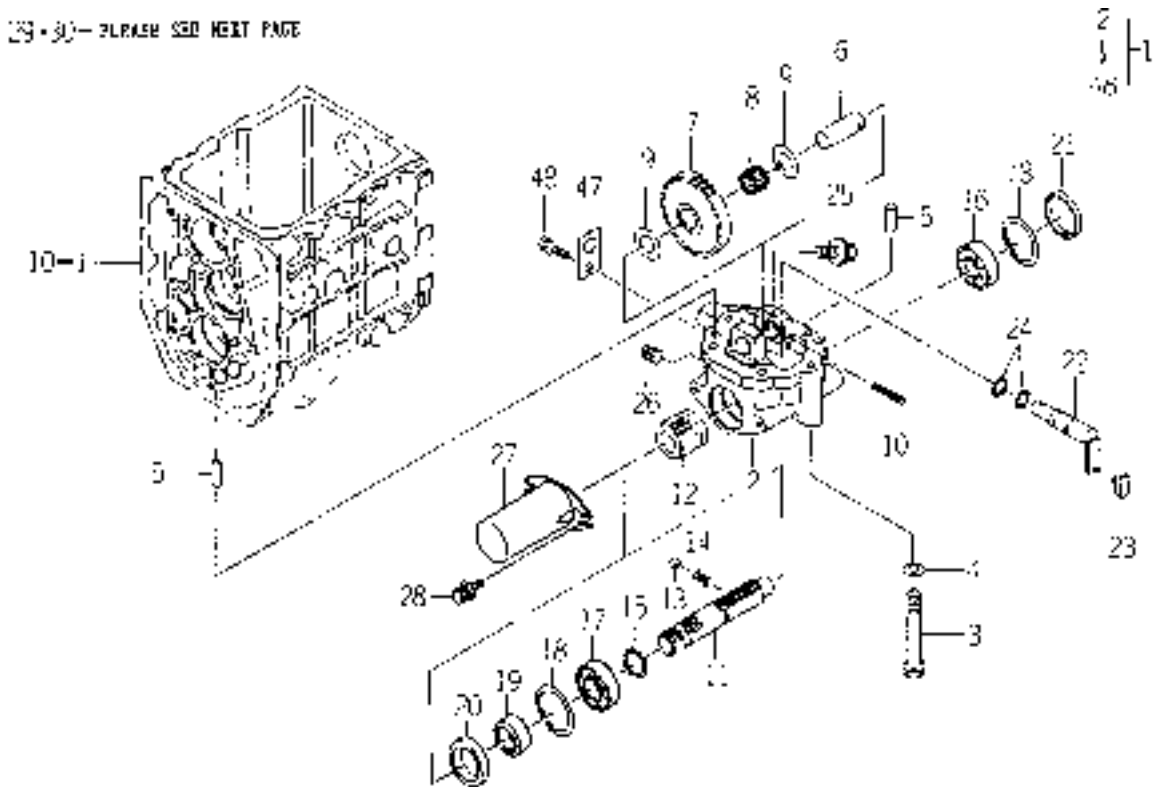








**FIG. 62 MID PTO SET (EXCEPT M TYPE)(1/2)  
(OPTION)**



1738-255A-0100

| KEY | PART CODE       | DESCRIPTION        | S<br>P<br>C | TYPE OF MODEL |  | I<br>T<br>C | C<br>O<br>L | G<br>R<br>P | REMARKS |
|-----|-----------------|--------------------|-------------|---------------|--|-------------|-------------|-------------|---------|
|     |                 |                    |             | TM3160        |  |             |             |             |         |
| 1   | 1738-255-200-10 | PTO/MID SET        | T           | 1             |  |             |             |             |         |
| 2   | 1682-255-201-10 | CASE/PTO/MID       | T           | 1             |  |             |             |             |         |
| 3   | V201-361-009-00 | BOLT/M10X90        | T           | 6             |  |             |             |             |         |
| 4   | V401-160-010-00 | WASHER,SP/M10      | T           | 6             |  |             |             |             |         |
| 5   | V523-101-002-40 | PIN                | T           | 2             |  |             |             |             |         |
| 6   | 1682-255-203-00 | PIN/20X51          | T           | 1             |  |             |             |             |         |
| 7   | 1682-255-202-00 | GEAR/SPUR/34       | T           | 1             |  |             |             |             |         |
| 8   | 1682-255-002-20 | BEARING/NEEDLE     | T           | 1             |  |             |             |             |         |
| 9   | 1480-212-003-00 | COLLAR/21X36X1     | T           | 2             |  |             |             |             |         |
| 10  | V580-140-604-00 | PIN,SPRING/6 X40 W | T           | 1             |  |             |             |             |         |
| 11  | 1682-255-204-00 | SHAFT/PTO/MID      | T           | 1             |  |             |             |             |         |
| 12  | 1682-255-205-10 | GEAR/SPUR/15       | T           | 1             |  |             |             |             |         |
| 13  | V682-200-001-00 | BALL               | T           | 1             |  |             |             |             |         |
| 14  | 1302-225-003-00 | SPRING,SHIFTER     | T           | 1             |  |             |             |             |         |
| 15  | V704-140-025-00 | RING,SNAP/25 C     | T           | 1             |  |             |             |             |         |
| 16  | V600-110-630-40 | BEARING,RB/6304    | T           | 1             |  |             |             |             |         |
| 17  | V600-110-620-50 | BEARING,RB/6205    | T           | 1             |  |             |             |             |         |
| 18  | V705-140-052-00 | RING,SNAP/52 C     | T           | 2             |  |             |             |             |         |
| 19  | 1427-212-003-20 | SLEEVE             | T           | 1             |  |             |             |             |         |
| 20  | V744-135-520-80 | SEAL,OIL/TC35528   | T           | 1             |  |             |             |             |         |
| 21  | 3625-701-003-00 | CAP,BLANK/52       | T           | 1             |  |             |             |             |         |
| 22  | 1682-255-210-40 | ARM/SHIFT/MID COMP | T           | 1             |  |             |             |             |         |
| 23  | 2703-101-020-00 | COLLAR,SHIFTER     | T           | 1             |  |             |             |             |         |
| 24  | V720-102-401-40 | O-RING/P14         | T           | 2             |  |             |             |             |         |
| 25  | V233-361-201-60 | FLANGEBOLT         | T           | 1             |  |             |             |             |         |
| 26  | V781-160-000-6B | PLUG/SCREW/SEAL    | T           | 1             |  |             |             |             |         |
| 27  | 1444-314-009-10 | CAP,PTO SHAFT      | T           | 1             |  |             |             |             |         |
| 28  | V210-360-602-00 | BOLT/SP            | T           | 2             |  |             |             |             |         |
| 29  | 1738-255-310-10 | LEVER/PTO/MID COMP | T           | 1             |  |             |             |             |         |
| 30  | 3640-585-001-00 | GLIP/YELLOW        | T           | 1             |  |             |             |             |         |

















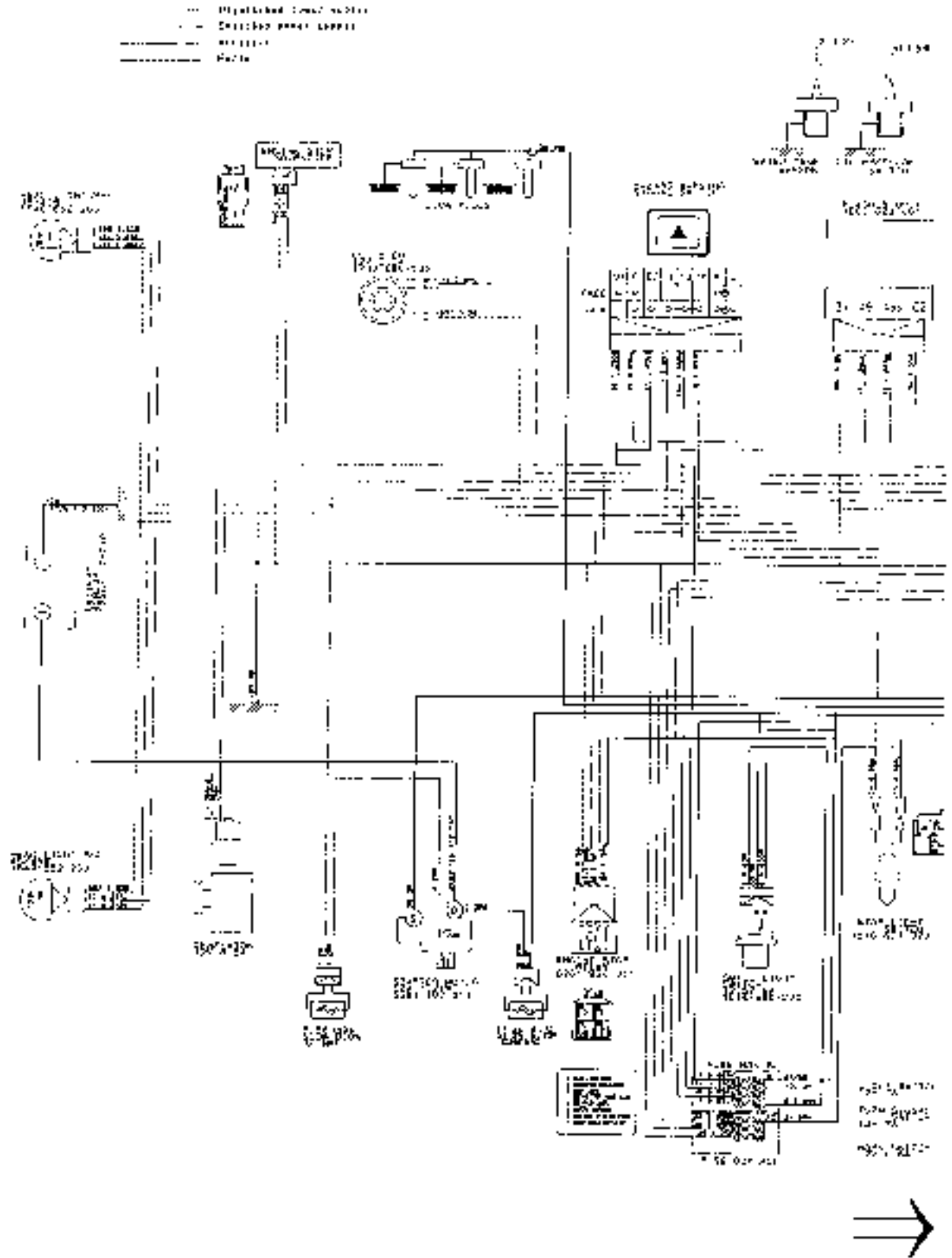




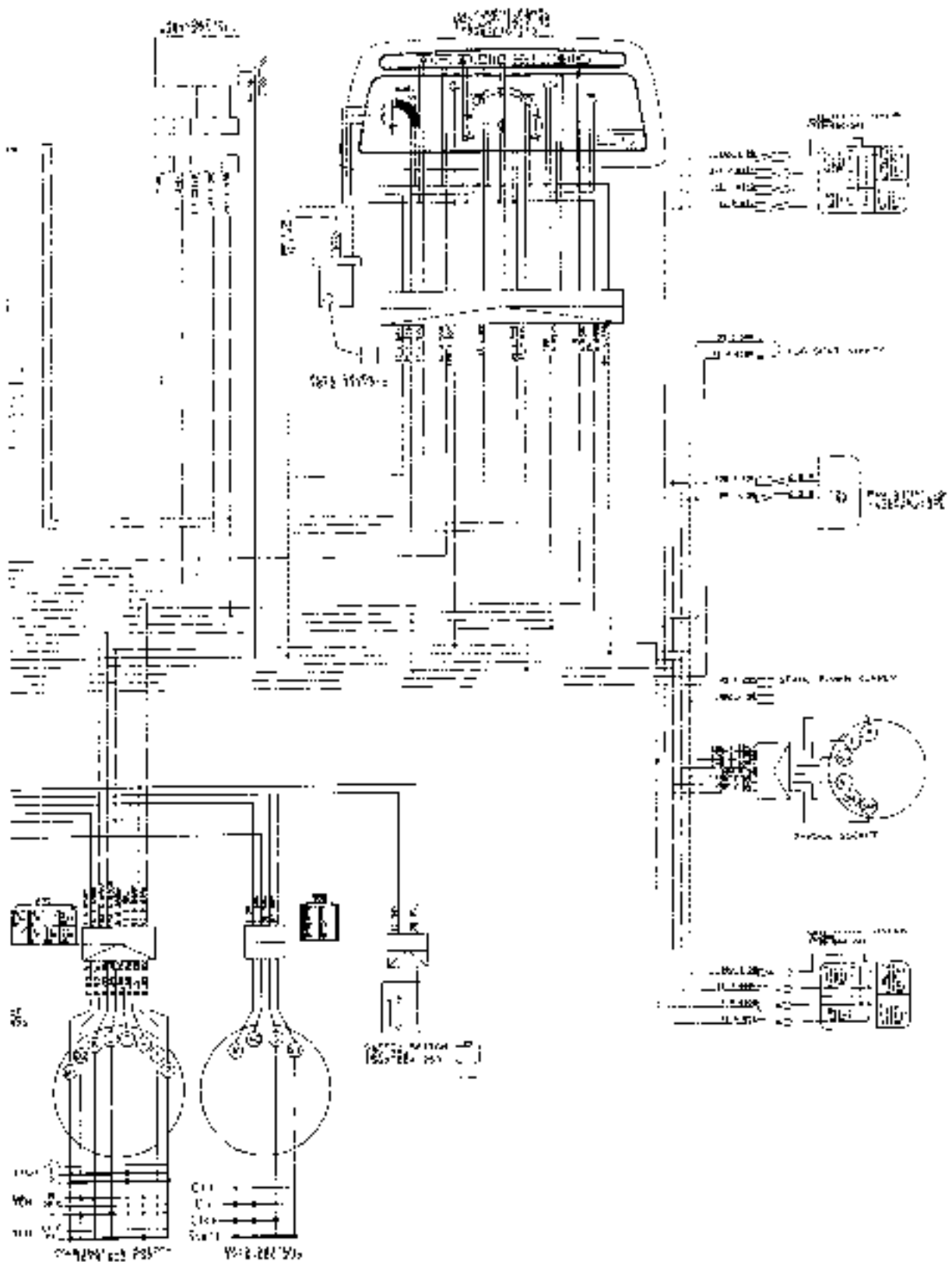




# WIRING DIAGRAM (1)



# WIRING DIAGRAM (2)



# Numerical Index

6003-097-240-00

| Part Code       | Fig.Key | Part Code       | Fig.Key | Part Code       | Fig.Key |
|-----------------|---------|-----------------|---------|-----------------|---------|
| 1373-121-001-00 | 23 5    | 6209-630-002-10 | 24 6    | 6211-751-001-10 | 2 2     |
| 1425-621-004-00 | 9 16    |                 | 25 22   | 6211-760-012-20 | 5 28    |
| 3625-540-004-00 | 9 40    | 6209-730-005-00 | 12 3    | 6211-777-007-30 | 10 1    |
| 3817-401-001-00 | 9 12    |                 | 20 10   | 6212-111-015-10 | 13 1    |
|                 | 11 20   | 6209-730-006-00 | 15 4    | 6212-114-015-10 | 14 1    |
|                 | 17 14   | 6209-740-001-00 | 9 28    | 6212-116-015-10 | 14 3    |
|                 | 17 19   | 6209-749-001-20 | 5 15    | 6212-121-008-20 | 13 2    |
| 6209-000-002-00 | 11 18   |                 | 9 48    | 6212-124-008-10 | 14 2    |
| 6209-000-003-00 | 1 7     | 6209-920-002-00 | 9 22    | 6212-126-008-10 | 14 4    |
| 6209-000-004-10 | 5 2     |                 | 16 14   | 6212-211-001-10 | 13 3    |
| 6209-030-043-00 | 20 16   |                 | 25 13   | 6212-230-003-10 | 13 5    |
| 6209-030-044-00 | 18 4    | 6209-940-004-00 | 11 14   | 6212-235-005-00 | 13 6    |
| 6209-030-085-00 | 23 9    | 6211-110-065-20 | 1 1     | 6212-271-006-00 | 13 7    |
| 6209-046-015-00 | 15 9    | 6211-141-008-30 | 1 6     | 6212-274-006-00 | 6 5     |
| 6209-046-044-00 | 10 2    |                 | 25 3    | 6212-276-006-00 | 6 6     |
| 6209-046-057-00 | 23 6    | 6211-170-004-20 | 2 1     | 6212-310-008-40 | 15 1    |
| 6209-050-001-00 | 9 34    | 6211-173-003-00 | 2 3     | 6212-330-017-30 | 15 5    |
| 6209-050-002-00 | 9 35    |                 | 25 4    | 6212-333-003-00 | 15 6    |
| 6209-056-001-00 | 20 7    | 6211-210-050-20 | 5 1     | 6212-370-011-00 | 15 10   |
| 6209-300-002-00 | 17 17   | 6211-258-001-00 | 5 8     | 6212-371-009-00 | 15 11   |
| 6209-300-013-00 | 5 29    |                 | 25 8    | 6212-372-002-10 | 15 12   |
| 6209-300-014-00 | 1 8     | 6211-258-002-00 | 5 9     | 6212-379-001-00 | 15 15   |
| 6209-360-028-10 | 2 6     |                 | 25 9    | 6212-511-002-00 | 12 1    |
| 6209-409-001-00 | 9 20    | 6211-291-016-00 | 5 24    | 6212-521-008-00 | 15 3    |
| 6209-409-003-00 | 11 17   | 6211-292-001-20 | 5 25    | 6212-522-010-00 | 12 2    |
| 6209-490-002-10 | 2 4     |                 | 25 11   | 6212-523-023-00 | 12 6    |
| 6209-500-003-00 | 9 18    | 6211-310-017-30 | 9 1     | 6212-524-002-20 | 20 9    |
|                 | 9 27    | 6211-311-011-20 | 9 43    | 6212-530-005-20 | 9 50    |
|                 | 25 23   | 6211-312-002-30 | 9 44    | 6212-531-005-10 | 5 6     |
| 6209-572-003-00 | 2 5     | 6211-312-003-20 | 9 29    | 6212-535-001-00 | 12 4    |
|                 | 25 5    |                 | 25 14   | 6212-535-002-00 | 20 13   |
| 6209-580-002-10 | 20 26   | 6211-312-004-20 | 25 15   | 6212-551-001-10 | 11 1    |
| 6209-587-001-00 | 13 4    | 6211-319-003-00 | 9 46    | 6212-552-001-20 | 11 2    |
| 6209-600-004-00 | 9 26    | 6211-322-002-00 | 9 55    | 6212-561-001-10 | 11 3    |
| 6209-600-006-00 | 7 2     | 6211-341-053-20 | 8 1     | 6212-563-001-00 | 11 4    |
| 6209-605-004-10 | 1 3     | 6211-342-002-10 | 8 2     | 6212-565-001-00 | 11 5    |
| 6209-605-005-10 | 5 30    | 6211-361-069-00 | 7 1     | 6212-569-002-00 | 1 4     |
| 6209-610-001-10 | 5 3     | 6211-510-001-00 | 5 10    |                 | 25 2    |
| 6209-610-002-10 | 9 4     | 6211-511-003-00 | 5 11    | 6212-571-006-00 | 11 6    |
| 6209-610-008-00 | 5 7     | 6211-511-004-00 | 5 12    | 6212-575-001-00 | 11 7    |
| 6209-610-009-00 | 5 4     | 6211-540-001-00 | 6 1     | 6212-600-002-10 | 11 8    |
| 6209-625-002-00 | 9 9     | 6211-560-001-00 | 6 3     | 6212-611-004-10 | 11 9    |
|                 | 25 12   | 6211-599-001-10 | 5 13    | 6212-616-002-00 | 11 16   |
| 6209-625-012-00 | 5 14    |                 | 6 2     | 6212-620-001-20 | 11 10   |
|                 | 25 10   |                 | 6 4     | 6212-626-002-10 | 11 11   |

## Numerical Index

6003-097-240-00

| Part Code       | Fig.Key | Part Code       | Fig.Key | Part Code       | Fig.Key |
|-----------------|---------|-----------------|---------|-----------------|---------|
| 6212-628-004-00 | 11 12   | 6213-721-007-00 | 5 23    | 6215-546-003-10 | 9 19    |
| 6212-628-005-00 | 11 13   | 6213-729-013-10 | 17 20   | 6215-548-012-00 | 22 1    |
| 6213-100-003-30 | 16 1    | 6213-743-002-10 | 17 23   | 6215-549-001-10 | 5 27    |
| 6213-111-001-30 | 16 2    |                 | 25 20   | 6215-549-003-00 | 20 22   |
| 6213-119-001-00 | 16 6    | 6214-111-011-20 | 3 1     | 6215-549-007-10 | 20 27   |
| 6213-120-003-20 | 16 3    | 6214-115-001-20 | 3 2     | 6215-549-008-10 | 20 31   |
| 6213-125-001-00 | 16 4    |                 | 25 6    | 6215-600-109-30 | 20 1    |
| 6213-129-003-00 | 16 5    | 6214-141-010-10 | 4 1     | 6215-611-002-00 | 27 1    |
| 6213-129-005-00 | 5 18    | 6214-145-001-30 | 4 2     | 6215-612-016-00 | 27 49   |
|                 | 9 8     |                 | 25 7    | 6215-619-012-00 | 27 50   |
| 6213-129-006-00 | 5 16    | 6215-300-037-00 | 19 1    | 6215-619-014-00 | 27 53   |
|                 | 8 3     | 6215-311-005-00 | 26 16   |                 | 27 57   |
|                 | 15 7    | 6215-315-002-00 | 19 2    | 6215-619-015-00 | 27 54   |
| 6213-140-023-00 | 16 8    | 6215-330-022-00 | 26 1    | 6215-619-016-00 | 27 55   |
| 6213-149-002-00 | 16 10   | 6215-332-006-00 | 26 15   | 6215-619-026-00 | 27 56   |
| 6213-160-002-20 | 9 30    | 6215-339-004-00 | 26 14   | 6215-619-030-00 | 27 52   |
| 6213-161-001-20 | 9 31    | 6215-342-002-00 | 26 13   | 6215-621-001-40 | 20 8    |
| 6213-164-001-00 | 9 32    | 6215-343-002-00 | 26 12   | 6215-622-002-00 | 27 12   |
| 6213-211-001-10 | 9 41    | 6215-345-044-00 | 26 2    | 6215-629-017-00 | 27 13   |
| 6213-240-002-10 | 16 15   | 6215-345-045-00 | 26 3    | 6215-629-018-00 | 27 14   |
| 6213-311-003-10 | 16 12   | 6215-345-046-00 | 26 4    | 6215-629-020-00 | 27 18   |
| 6213-319-004-00 | 9 2     | 6215-345-047-00 | 26 5    | 6215-629-021-00 | 27 19   |
| 6213-610-005-40 | 17 1    | 6215-345-048-00 | 26 6    | 6215-629-022-00 | 27 20   |
| 6213-611-003-20 | 17 2    | 6215-345-049-00 | 26 7    | 6215-629-023-00 | 27 21   |
| 6213-612-004-00 | 17 9    | 6215-345-050-00 | 26 8    | 6215-629-024-00 | 27 22   |
| 6213-613-002-10 | 17 8    | 6215-345-051-00 | 26 9    | 6215-629-025-00 | 27 23   |
| 6213-614-003-10 | 17 12   | 6215-345-052-00 | 26 10   | 6215-629-026-00 | 27 24   |
|                 | 25 18   | 6215-345-053-00 | 26 11   | 6215-629-027-00 | 27 25   |
| 6213-614-006-10 | 17 16   | 6215-359-003-00 | 26 17   | 6215-629-028-00 | 27 26   |
|                 | 25 19   | 6215-359-004-00 | 26 18   | 6215-629-029-00 | 27 27   |
| 6213-619-002-00 | 17 11   | 6215-411-074-10 | 21 2    | 6215-629-030-00 | 27 28   |
| 6213-619-003-00 | 17 10   | 6215-411-106-00 | 19 3    | 6215-629-031-00 | 27 29   |
| 6213-619-005-00 | 17 15   | 6215-411-107-00 | 19 4    | 6215-629-032-00 | 27 30   |
| 6213-621-003-00 | 17 6    | 6215-411-108-00 | 19 5    | 6215-629-033-00 | 27 31   |
| 6213-622-002-10 | 17 5    | 6215-412-006-00 | 21 1    | 6215-629-034-00 | 27 32   |
| 6213-631-002-00 | 17 3    | 6215-520-001-00 | 20 15   | 6215-629-068-00 | 27 33   |
| 6213-631-005-00 | 17 4    | 6215-526-004-00 | 20 17   | 6215-629-069-00 | 27 34   |
| 6213-641-002-10 | 18 2    | 6215-531-021-00 | 20 23   | 6215-629-070-00 | 27 35   |
| 6213-642-002-00 | 17 7    | 6215-541-001-10 | 20 18   | 6215-629-071-00 | 27 36   |
| 6213-660-007-00 | 18 1    | 6215-541-016-30 | 22 2    | 6215-629-072-00 | 27 37   |
| 6213-669-008-00 | 18 3    | 6215-541-024-30 | 20 24   | 6215-629-073-00 | 27 38   |
| 6213-671-003-00 | 18 5    | 6215-542-004-20 | 9 23    | 6215-629-074-00 | 27 39   |
| 6213-674-004-20 | 23 3    | 6215-542-005-10 | 9 25    | 6215-629-075-00 | 27 40   |
| 6213-711-003-20 | 17 27   | 6215-542-006-00 | 20 20   | 6215-629-076-00 | 27 41   |
| 6213-716-001-50 | 17 22   | 6215-543-001-10 | 20 19   | 6215-629-077-00 | 27 42   |



# Numerical Index

6003-097-240-00

| Part Code       | Fig.Key | Part Code       | Fig.Key | Part Code       | Fig.Key |
|-----------------|---------|-----------------|---------|-----------------|---------|
| 6215-629-078-00 | 27 43   | 6281-129-067-00 | 28 14   | 6901-911-020-00 | 8 4     |
| 6215-629-079-00 | 27 44   | 6281-129-068-00 | 28 15   | 6902-050-610-00 | 15 13   |
| 6215-629-080-00 | 27 45   | 6281-129-069-00 | 28 16   | 6902-050-816-00 | 9 45    |
| 6215-629-081-00 | 27 46   | 6281-129-070-00 | 28 17   | 6904-110-818-00 | 5 19    |
| 6215-629-082-00 | 27 47   | 6281-129-071-00 | 28 18   | 6904-110-822-00 | 9 5     |
| 6215-631-017-00 | 27 2    | 6281-129-072-00 | 28 21   |                 | 9 49    |
| 6215-634-002-00 | 27 15   | 6281-129-073-00 | 28 22   | 6904-110-840-00 | 5 20    |
| 6215-635-002-00 | 27 8    | 6281-129-074-00 | 28 23   | 6904-110-850-00 | 9 7     |
| 6215-635-008-00 | 27 51   | 6281-129-075-00 | 28 24   | 6904-110-855-00 | 9 6     |
| 6215-637-008-00 | 27 48   | 6281-129-076-00 | 28 25   | 6909-110-406-00 | 9 36    |
| 6215-639-006-00 | 27 16   | 6281-129-077-00 | 28 26   |                 | 20 28   |
| 6215-639-007-00 | 27 17   | 6281-129-078-00 | 28 27   | 6909-110-408-00 | 9 52    |
| 6215-641-007-00 | 27 3    | 6281-129-079-00 | 28 34   |                 | 9 56    |
| 6215-643-002-00 | 27 4    | 6281-129-080-00 | 28 8    |                 | 28 32   |
| 6215-644-002-00 | 27 6    | 6281-151-014-00 | 28 20   | 6909-110-410-00 | 23 7    |
| 6215-649-003-00 | 27 5    | 6281-200-007-00 | 23 1    | 6909-150-506-00 | 15 14   |
| 6215-649-004-10 | 27 7    | 6281-211-004-00 | 29 2    | 6909-150-508-00 | 28 31   |
| 6215-649-005-00 | 27 9    | 6281-213-016-10 | 29 1    | 6909-902-299-00 | 5 22    |
| 6215-649-006-10 | 27 10   | 6281-214-006-00 | 29 13   | 6909-906-105-10 | 16 13   |
| 6215-649-007-00 | 27 11   | 6281-222-010-10 | 29 3    | 6911-129-006-00 | 1 2     |
| 6219-310-003-20 | 9 37    | 6281-229-021-00 | 29 5    | J061-210-015-00 | 17 21   |
| 6219-732-016-00 | 24 4    | 6281-229-022-00 | 29 6    | P117-303-003-00 | 9 24    |
| 6219-752-001-00 | 20 2    | 6281-229-023-00 | 29 7    | V211-560-802-50 | 4 3     |
| 6219-752-002-00 | 20 3    | 6281-229-024-00 | 29 8    | V230-360-601-00 | 7 4     |
| 6219-752-003-00 | 20 4    | 6281-229-025-10 | 29 9    | V230-360-601-20 | 5 26    |
| 6219-752-004-00 | 20 5    | 6281-229-026-00 | 29 10   |                 | 24 7    |
| 6219-752-005-00 | 20 6    | 6281-229-027-00 | 29 11   | V230-360-601-60 | 9 39    |
| 6281-100-014-00 | 23 8    | 6281-229-028-00 | 29 12   | V231-360-801-60 | 9 13    |
| 6281-111-009-00 | 28 1    | 6281-229-031-00 | 29 4    |                 | 16 11   |
| 6281-115-017-00 | 28 10   | 6281-270-001-10 | 23 2    | V231-360-802-00 | 3 3     |
| 6281-115-018-00 | 28 11   | 6281-410-010-00 | 24 3    |                 | 17 18   |
| 6281-117-003-00 | 28 4    | 6281-910-001-00 | 24 5    |                 | 17 24   |
| 6281-118-007-00 | 28 3    | 6281-920-001-00 | 24 8    |                 | 23 4    |
| 6281-119-009-00 | 28 2    | 6281-971-003-00 | 24 1    | V231-360-802-50 | 17 29   |
| 6281-121-010-00 | 28 5    | 6282-450-002-00 | 24 2    | V231-360-803-00 | 9 17    |
| 6281-124-011-00 | 28 6    | 6287-810-026-10 | 25 1    | V231-360-804-00 | 3 4     |
| 6281-127-003-00 | 28 19   | 6294-453-002-00 | 5 21    | V231-360-804-50 | 9 14    |
| 6281-129-029-00 | 28 29   | 6509-605-019-10 | 5 5     |                 | 17 13   |
| 6281-129-030-00 | 28 28   |                 | 9 3     | V231-360-805-00 | 11 19   |
| 6281-129-043-00 | 28 30   | 6511-321-083-00 | 9 54    | V231-360-805-50 | 9 11    |
| 6281-129-058-00 | 28 9    | 6513-770-022-10 | 17 26   | V231-360-807-50 | 9 15    |
| 6281-129-062-00 | 28 33   | 6901-066-645-00 | 15 16   |                 | 17 25   |
| 6281-129-064-00 | 28 7    | 6901-910-612-00 | 12 5    | V231-360-808-50 | 9 10    |
| 6281-129-065-00 | 28 12   |                 | 20 14   | V341-120-008-00 | 9 21    |
| 6281-129-066-00 | 28 13   | 6901-910-625-00 | 16 7    | V401-160-006-00 | 20 30   |



## Numerical Index

1738-097-100-00

| Part Code       | Fig.Key | Part Code       | Fig.Key | Part Code       | Fig.Key |
|-----------------|---------|-----------------|---------|-----------------|---------|
| 1105-106-001-00 | 9 5     | 1425-621-004-00 | 56 22   | 1427-406-014-00 | 72 17   |
| 1118-901-002-00 | 58 3    | 1427-111-229-00 | 3 15    | 1427-406-017-00 | 72 18   |
| 1302-225-003-00 | 17 3    | 1427-201-005-00 | 10 24   | 1427-406-018-00 | 31 23   |
|                 | 21 2    | 1427-201-007-00 | 10 22   |                 | 38 3    |
|                 | 23 22   |                 | 25 12   | 1427-432-016-00 | 35 6    |
|                 | 62 14   | 1427-201-008-00 | 10 23   | 1427-441-210-02 | 66 2    |
| 1305-241-001-00 | 50 10   | 1427-201-012-00 | 24 14   |                 | 66 7    |
| 1305-931-003-00 | 44 26   | 1427-201-013-00 | 24 15   | 1427-501-003-00 | 39 3    |
| 1342-402-006-00 | 56 18   | 1427-201-014-10 | 24 16   | 1427-502-003-00 | 40 7    |
|                 | 56 30   | 1427-201-015-10 | 24 17   | 1427-511-001-00 | 44 13   |
| 1376-402-003-00 | 6 10    | 1427-203-002-00 | 12 4    | 1427-511-002-00 | 44 12   |
|                 | 6 15    | 1427-204-003-10 | 13 3    | 1427-511-003-00 | 44 20   |
|                 | 56 11   | 1427-209-200-00 | 17 11   | 1427-511-004-00 | 44 21   |
|                 | 56 16   | 1427-210-003-00 | 18 2    | 1427-511-005-00 | 44 27   |
|                 | 56 19   |                 | 18 10   | 1427-511-220-00 | 44 10   |
|                 | 56 24   | 1427-210-008-10 | 17 1    | 1427-511-250-10 | 44 30   |
|                 | 56 26   | 1427-210-009-00 | 17 2    | 1427-511-270-00 | 44 17   |
|                 | 56 29   | 1427-210-011-00 | 17 6    | 1427-511-273-00 | 44 19   |
|                 | 56 31   | 1427-210-200-00 | 17 8    | 1427-511-280-00 | 44 23   |
| 1402-511-600-00 | 44 33   | 1427-212-002-00 | 20 6    | 1427-511-290-00 | 44 18   |
| 1404-117-008-00 | 7 9     | 1427-212-003-20 | 20 2    | 1427-511-300-00 | 44 24   |
| 1404-312-006-00 | 29 13   |                 | 23 15   | 1427-511-320-00 | 44 9    |
|                 | 29 17   |                 | 62 19   | 1427-601-003-00 | 17 15   |
| 1404-402-005-00 | 31 21   | 1427-301-002-20 | 24 1    |                 | 21 8    |
|                 | 31 22   | 1427-301-005-00 | 24 4    | 1427-611-001-00 | 50 4    |
|                 | 38 2    | 1427-301-007-00 | 24 6    | 1432-616-002-00 | 29 51   |
| 1404-503-006-00 | 43 19   | 1427-301-009-00 | 24 7    |                 | 46 12   |
| 1414-312-002-00 | 7 1     | 1427-301-013-20 | 24 22   |                 | 50 12   |
|                 | 42 10   | 1427-301-014-10 | 24 23   | 1432-665-014-00 | 49 19   |
| 1415-102-007-00 | 4 3     | 1427-301-015-10 | 24 24   | 1434-120-005-00 | 8 16    |
| 1415-102-008-00 | 4 5     | 1427-301-016-00 | 24 25   | 1434-122-005-00 | 9 15    |
| 1415-102-013-00 | 4 11    | 1427-301-018-00 | 24 27   | 1434-122-007-00 | 9 9     |
| 1415-312-500-00 | 29 12   | 1427-301-019-00 | 24 29   | 1434-122-230-10 | 8 11    |
| 1416-501-011-00 | 41 3    | 1427-301-021-00 | 27 6    | 1434-203-002-00 | 12 11   |
| 1416-621-037-00 | 5 6     | 1427-307-002-10 | 26 2    | 1434-211-004-00 | 19 5    |
| 1421-122-003-00 | 9 10    | 1427-307-003-00 | 26 3    | 1434-317-201-10 | 64 2    |
| 1421-507-002-10 | 41 1    | 1427-406-001-00 | 72 3    |                 | 64 7    |
| 1421-507-014-00 | 47 20   | 1427-406-002-00 | 72 4    | 1434-441-240-01 | 67 2    |
|                 | 52 19   | 1427-406-004-00 | 72 6    |                 | 67 7    |
| 1421-603-004-00 | 6 3     | 1427-406-005-00 | 72 7    | 1434-501-003-10 | 39 17   |
|                 | 46 42   | 1427-406-006-00 | 72 8    | 1434-501-005-00 | 39 23   |
| 1423-520-001-10 | 44 25   | 1427-406-007-00 | 72 10   | 1434-501-006-00 | 41 10   |
| 1424-101-203-00 | 1 18    | 1427-406-008-00 | 72 11   | 1434-503-001-00 | 41 12   |
| 1424-101-204-00 | 1 19    | 1427-406-011-00 | 72 13   | 1434-503-002-00 | 41 15   |
| 1425-621-004-00 | 1 11    | 1427-406-013-00 | 72 16   | 1434-503-250-10 | 41 19   |

## Numerical Index

1738-097-100-00

| Part Code       | Fig.Key | Part Code       | Fig.Key | Part Code       | Fig.Key |
|-----------------|---------|-----------------|---------|-----------------|---------|
| 1434-503-260-20 | 41 22   | 1518-432-250-00 | 36 2    | 1568-525-300-10 | 44 32   |
| 1434-511-200-20 | 44 37   | 1518-621-320-00 | 55 20   | 1572-102-003-00 | 4 10    |
| 1434-511-210-00 | 44 34   | 1527-604-002-00 | 48 19   | 1575-261-203-00 | 34 7    |
| 1435-120-002-30 | 8 23    |                 | 49 17   | 1579-501-200-00 | 39 1    |
| 1435-122-002-00 | 8 12    |                 | 52 9    | 1581-521-642-00 | 23 37   |
| 1435-511-250-10 | 44 1    | 1544-104-205-00 | 3 4     |                 | 62 36   |
| 1435-511-270-00 | 44 8    | 1544-215-015-00 | 15 9    | 1588-117-001-00 | 46 10   |
| 1440-103-201-00 | 4 6     | 1544-215-016-00 | 15 15   | 1588-651-205-00 | 55 15   |
| 1442-313-202-00 | 29 24   | 1544-304-006-10 | 24 10   | 1593-402-051-10 | 31 17   |
| 1444-102-202-00 | 4 2     | 1544-503-001-20 | 41 4    | 1594-105-001-00 | 2 2     |
| 1444-102-204-00 | 4 7     | 1544-503-200-20 | 41 5    | 1594-218-001-00 | 12 2    |
| 1444-122-002-00 | 29 31   | 1544-623-001-00 | 55 9    |                 | 20 3    |
| 1444-314-009-10 | 10 33   | 1544-623-232-00 | 55 10   | 1600-117-002-00 | 7 8     |
|                 | 23 28   | 1544-623-233-00 | 55 11   | 1600-202-005-00 | 11 4    |
|                 | 62 27   | 1544-623-234-00 | 55 12   | 1600-203-006-00 | 12 8    |
| 1444-328-272-00 | 29 26   | 1544-623-235-00 | 55 13   | 1600-317-211-00 | 64 3    |
| 1444-328-273-00 | 29 25   | 1550-514-290-00 | 44 31   |                 | 64 8    |
| 1444-411-006-00 | 24 2    | 1560-104-006-60 | 1 15    | 1600-502-003-00 | 15 5    |
| 1444-601-015-00 | 46 34   | 1560-104-010-40 | 1 17    |                 | 16 4    |
|                 | 47 6    | 1560-111-003-20 | 46 28   |                 | 40 8    |
|                 | 47 12   | 1560-132-007-30 | 29 21   | 1600-616-006-00 | 5 11    |
| 1480-212-003-00 | 23 9    |                 | 29 33   | 1600-623-002-00 | 55 16   |
|                 | 62 9    | 1560-314-001-00 | 27 2    | 1600-624-004-00 | 56 17   |
| 1480-501-003-00 | 39 2    |                 | 57 10   | 1600-624-201-00 | 55 27   |
| 1488-413-023-10 | 37 12   |                 | 69 11   | 1600-902-002-10 | 59 3    |
| 1488-541-021-00 | 15 21   | 1560-401-004-40 | 48 4    | 1600-904-051-00 | 59 7    |
| 1491-120-001-00 | 8 17    | 1560-515-004-50 | 43 20   | 1612-102-005-00 | 1 5     |
| 1491-203-006-10 | 12 3    | 1560-525-001-40 | 44 2    | 1612-105-002-00 | 4 19    |
| 1491-204-002-10 | 13 5    | 1560-630-024-00 | 29 52   | 1612-111-210-00 | 5 5     |
| 1491-211-003-00 | 19 7    | 1560-658-202-00 | 54 17   | 1612-117-200-20 | 7 6     |
| 1491-307-201-00 | 26 4    | 1560-658-282-40 | 54 13   | 1612-406-001-00 | 31 18   |
| 1491-434-017-00 | 37 26   |                 | 54 15   | 1612-434-006-00 | 37 21   |
| 1493-441-200-00 | 66 1    | 1560-664-250-00 | 55 22   | 1612-434-009-00 | 37 30   |
| 1493-441-201-00 | 66 3    | 1560-664-252-00 | 55 23   | 1612-505-220-00 | 42 11   |
|                 | 66 8    | 1560-664-253-00 | 55 24   | 1612-603-002-00 | 48 9    |
| 1493-441-210-00 | 66 6    | 1560-666-004-00 | 6 16    | 1612-690-001-00 | 5 10    |
| 1507-216-004-10 | 12 5    |                 | 6 17    | 1614-102-213-00 | 1 3     |
|                 | 35 3    |                 | 56 15   | 1614-102-214-00 | 1 4     |
| 1509-105-210-00 | 4 1     |                 | 56 21   | 1614-111-002-10 | 46 26   |
| 1510-328-260-00 | 29 16   |                 | 56 25   | 1614-215-006-00 | 15 14   |
| 1510-417-311-00 | 63 3    | 1564-201-003-00 | 37 2    | 1614-432-006-00 | 35 11   |
|                 | 63 8    |                 | 37 18   | 1614-433-212-00 | 36 6    |
| 1510-417-312-00 | 63 4    | 1564-434-222-10 | 32 2    | 1614-501-006-00 | 15 19   |
|                 | 63 9    | 1564-667-002-00 | 15 20   | 1614-501-015-10 | 50 3    |
| 1518-306-203-00 | 36 3    | 1566-525-101-00 | 44 36   | 1614-505-002-00 | 42 5    |

# Numerical Index

1738-097-100-00

| Part Code       | Fig. | Key | Part Code       | Fig. | Key | Part Code       | Fig. | Key |
|-----------------|------|-----|-----------------|------|-----|-----------------|------|-----|
| 1614-505-003-00 | 42   | 6   | 1672-207-230-00 | 15   | 13  | 1674-410-301-00 | 65   | 6   |
| 1614-505-004-00 | 42   | 7   | 1672-207-240-00 | 15   | 8   | 1674-410-320-00 | 33   | 4   |
| 1614-505-007-00 | 42   | 15  | 1672-208-200-20 | 16   | 1   |                 | 65   | 4   |
| 1614-603-008-00 | 48   | 18  | 1672-210-001-00 | 18   | 1   | 1674-520-004-00 | 45   | 6   |
| 1614-603-202-00 | 48   | 17  | 1672-210-002-00 | 18   | 6   |                 | 68   | 6   |
| 1614-608-220-10 | 52   | 18  | 1672-210-003-10 | 18   | 9   | 1674-520-210-00 | 45   | 4   |
| 1614-630-002-00 | 47   | 9   | 1672-210-004-00 | 18   | 15  |                 | 68   | 4   |
| 1614-670-001-10 | 54   | 21  | 1672-210-005-00 | 18   | 16  | 1674-619-300-10 | 52   | 26  |
| 1614-670-201-00 | 54   | 8   | 1672-211-009-10 | 19   | 10  | 1674-619-310-00 | 52   | 24  |
| 1614-670-240-00 | 54   | 7   | 1672-212-002-10 | 20   | 4   | 1674-652-200-00 | 53   | 1   |
| 1614-670-250-00 | 54   | 9   | 1672-216-310-00 | 21   | 6   | 1674-652-202-00 | 53   | 2   |
| 1614-670-281-00 | 54   | 14  | 1672-301-002-00 | 24   | 8   | 1674-654-004-00 | 49   | 13  |
| 1614-680-220-00 | 55   | 14  | 1672-301-003-00 | 24   | 3   | 1674-654-211-00 | 53   | 4   |
| 1617-102-005-00 | 1    | 14  | 1672-301-004-00 | 24   | 5   |                 | 53   | 6   |
| 1620-255-208-00 | 23   | 26  | 1672-307-001-10 | 26   | 1   | 1674-654-212-00 | 53   | 5   |
|                 | 62   | 47  | 1672-406-001-00 | 72   | 5   | 1674-654-270-00 | 53   | 9   |
| 1620-410-001-10 | 70   | 1   | 1672-406-002-00 | 72   | 15  | 1674-654-271-00 | 53   | 10  |
| 1627-122-008-00 | 29   | 48  | 1672-406-003-00 | 72   | 12  | 1674-654-272-00 | 53   | 11  |
| 1636-271-013-00 | 15   | 7   | 1672-406-004-00 | 72   | 19  | 1674-654-400-00 | 49   | 11  |
| 1636-901-022-00 | 60   | 3   | 1672-406-005-00 | 31   | 5   | 1674-904-001-00 | 60   | 1   |
| 1640-658-322-00 | 54   | 3   | 1672-406-201-00 | 31   | 2   | 1674-904-002-10 | 60   | 6   |
| 1640-658-324-00 | 54   | 5   | 1672-406-230-00 | 31   | 16  | 1674-904-003-00 | 60   | 7   |
| 1640-658-325-00 | 54   | 6   | 1672-406-240-10 | 72   | 1   | 1674-904-004-00 | 60   | 8   |
| 1640-702-003-00 | 57   | 2   | 1672-406-250-00 | 72   | 2   | 1674-904-005-00 | 60   | 13  |
|                 | 69   | 3   | 1672-434-007-00 | 37   | 22  | 1674-904-008-00 | 60   | 4   |
| 1640-702-004-00 | 57   | 6   | 1672-434-008-00 | 37   | 25  | 1675-102-002-00 | 1    | 22  |
|                 | 69   | 7   | 1672-434-009-00 | 37   | 1   | 1675-102-004-00 | 1    | 7   |
| 1646-116-051-00 | 7    | 7   | 1672-434-011-10 | 37   | 17  | 1675-102-006-00 | 1    | 10  |
| 1650-104-201-00 | 3    | 5   | 1672-502-003-00 | 40   | 1   | 1675-104-002-00 | 3    | 9   |
| 1650-259-010-00 | 18   | 7   | 1672-502-004-00 | 40   | 4   | 1675-104-210-10 | 3    | 1   |
|                 | 18   | 17  | 1672-503-210-00 | 41   | 18  | 1675-104-211-00 | 3    | 2   |
| 1650-432-001-00 | 35   | 4   | 1672-601-001-00 | 48   | 14  | 1675-104-213-00 | 3    | 3   |
| 1650-601-007-00 | 46   | 5   | 1673-314-001-00 | 29   | 4   | 1675-112-002-00 | 6    | 5   |
| 1650-650-222-00 | 56   | 3   |                 | 29   | 6   | 1675-116-001-00 | 7    | 5   |
| 1650-654-036-00 | 55   | 29  | 1673-525-002-20 | 33   | 5   | 1675-117-210-20 | 7    | 13  |
| 1672-103-001-00 | 2    | 5   |                 | 44   | 3   | 1675-135-001-00 | 9    | 6   |
| 1672-105-211-00 | 4    | 9   |                 | 44   | 35  | 1675-312-051-00 | 29   | 8   |
| 1672-111-002-00 | 5    | 3   |                 | 45   | 5   | 1675-508-003-00 | 43   | 27  |
| 1672-111-230-00 | 5    | 13  |                 | 57   | 8   | 1675-508-004-00 | 43   | 5   |
| 1672-120-006-00 | 8    | 13  |                 | 65   | 5   | 1675-601-002-00 | 46   | 4   |
| 1672-120-007-00 | 8    | 15  |                 | 68   | 5   | 1675-601-003-00 | 47   | 4   |
| 1672-122-001-20 | 9    | 12  |                 | 69   | 9   | 1675-670-220-00 | 54   | 10  |
| 1672-202-002-20 | 11   | 7   | 1673-658-214-00 | 54   | 4   | 1675-670-230-00 | 54   | 19  |
| 1672-207-001-10 | 15   | 1   | 1673-730-008-00 | 29   | 34  | 1681-434-002-10 | 37   | 24  |
| 1672-207-002-10 | 15   | 17  | 1674-410-301-00 | 33   | 6   | 1682-111-300-00 | 5    | 4   |

## Numerical Index

1738-097-100-00

| Part Code       | Fig.Key | Part Code       | Fig.Key | Part Code       | Fig.Key |
|-----------------|---------|-----------------|---------|-----------------|---------|
| 1682-112-006-10 | 6 6     | 1682-902-005-00 | 59 1    | 1714-441-202-00 | 67 9    |
| 1682-120-001-00 | 8 22    | 1682-902-008-00 | 58 6    | 1714-441-220-00 | 67 6    |
| 1682-201-001-10 | 10 1    | 1682-902-009-00 | 59 4    | 1716-102-003-00 | 1 23    |
| 1682-202-001-00 | 11 1    | 1682-902-013-00 | 59 8    | 1716-104-001-00 | 3 7     |
| 1682-202-002-00 | 11 10   | 1682-902-014-00 | 59 6    | 1716-105-001-00 | 4 15    |
| 1682-202-003-00 | 11 11   | 1682-924-220-10 | 45 1    | 1716-112-230-00 | 6 9     |
| 1682-202-004-00 | 11 12   | 1683-102-220-00 | 1 21    | 1716-116-200-00 | 7 2     |
| 1682-203-001-00 | 12 7    | 1683-265-510-00 | 23 44   | 1716-120-200-00 | 8 19    |
| 1682-203-002-00 | 12 9    |                 | 62 43   | 1716-601-003-00 | 47 19   |
| 1682-203-003-10 | 12 6    | 1683-603-004-00 | 48 1    | 1716-601-017-00 | 46 36   |
| 1682-203-004-00 | 12 10   | 1683-902-004-00 | 59 5    | 1716-602-002-10 | 47 2    |
| 1682-204-001-00 | 13 1    | 1684-203-200-40 | 12 1    | 1716-603-005-00 | 48 3    |
| 1682-205-001-00 | 14 1    | 1684-211-003-10 | 19 12   | 1716-680-006-00 | 55 7    |
| 1682-209-200-20 | 17 12   | 1688-201-055-10 | 10 2    | 1716-680-200-10 | 55 4    |
| 1682-211-002-20 | 19 14   | 1688-201-056-00 | 10 30   | 1716-690-502-00 | 56 2    |
| 1682-211-004-20 | 19 1    | 1688-312-001-10 | 29 10   | 1717-120-230-10 | 8 20    |
| 1682-211-007-00 | 19 13   | 1690-608-003-00 | 52 20   | 1717-304-001-00 | 24 19   |
| 1682-211-008-00 | 19 4    | 1703-104-003-00 | 3 6     | 1717-304-002-00 | 24 20   |
| 1682-211-210-00 | 19 6    | 1703-261-002-00 | 16 8    | 1717-306-001-30 | 25 1    |
| 1682-216-002-10 | 21 5    | 1703-310-202-00 | 28 2    | 1717-306-002-30 | 25 2    |
| 1682-216-006-00 | 21 1    |                 | 28 6    | 1717-309-200-10 | 27 1    |
| 1682-216-007-10 | 21 15   | 1703-313-001-10 | 46 38   | 1717-310-001-00 | 28 11   |
| 1682-216-260-10 | 21 12   | 1703-432-001-00 | 35 8    | 1717-310-002-10 | 28 1    |
| 1682-216-270-10 | 21 9    | 1703-432-009-00 | 35 9    | 1717-310-003-10 | 28 5    |
| 1682-255-001-00 | 23 47   | 1703-432-011-00 | 35 10   | 1717-310-004-00 | 28 3    |
| 1682-255-002-20 | 23 8    | 1703-434-003-00 | 37 7    |                 | 28 7    |
|                 | 62 8    | 1703-434-004-00 | 37 10   | 1717-310-200-00 | 28 9    |
| 1682-255-201-10 | 23 1    | 1703-435-001-00 | 37 42   | 1717-436-200-00 | 38 1    |
|                 | 62 2    | 1703-435-002-00 | 37 43   | 1717-501-002-00 | 39 11   |
| 1682-255-202-00 | 23 7    | 1704-705-003-00 | 52 10   | 1717-503-200-10 | 41 11   |
|                 | 62 7    | 1705-102-014-00 | 1 27    | 1717-603-002-00 | 48 13   |
| 1682-255-203-00 | 23 6    | 1705-902-006-00 | 60 2    | 1717-630-001-30 | 52 7    |
|                 | 62 6    | 1705-902-007-00 | 60 10   | 1717-630-002-10 | 52 8    |
| 1682-255-204-00 | 23 11   | 1705-904-001-00 | 60 12   | 1717-630-004-00 | 52 6    |
|                 | 62 11   | 1705-904-002-00 | 60 11   | 1725-120-211-00 | 34 2    |
| 1682-255-205-10 | 23 13   | 1709-603-001-00 | 48 10   | 1725-120-212-00 | 34 3    |
|                 | 62 12   | 1710-690-502-00 | 56 7    | 1725-120-213-00 | 34 4    |
| 1682-255-210-40 | 23 20   | 1714-317-200-00 | 63 1    | 1725-120-214-00 | 34 5    |
|                 | 62 22   | 1714-317-210-10 | 63 2    | 1725-120-216-00 | 34 6    |
| 1682-255-303-00 | 23 32   |                 | 63 7    | 1725-266-001-00 | 16 9    |
|                 | 62 31   | 1714-317-220-00 | 63 6    |                 | 42 16   |
| 1682-406-210-10 | 31 1    | 1714-441-200-00 | 67 1    | 1726-102-001-00 | 1 28    |
| 1682-406-230-10 | 72 9    | 1714-441-201-00 | 67 3    | 1726-102-200-10 | 1 25    |
| 1682-690-370-10 | 55 25   |                 | 67 8    | 1726-102-210-00 | 1 1     |
| 1682-690-380-00 | 55 28   | 1714-441-202-00 | 67 4    | 1726-102-211-00 | 1 2     |

## Numerical Index

1738-097-100-00

| Part Code       | Fig.Key | Part Code       | Fig.Key | Part Code       | Fig.Key |
|-----------------|---------|-----------------|---------|-----------------|---------|
| 1726-103-200-00 | 2 1     | 1738-255-330-00 | 23 36   | 1738-514-210-00 | 44 5    |
| 1726-104-200-00 | 3 11    |                 | 62 35   | 1738-520-001-00 | 45 7    |
| 1726-105-001-10 | 4 17    | 1738-309-001-10 | 27 3    |                 | 68 7    |
| 1726-111-001-00 | 5 12    | 1738-312-005-00 | 29 43   | 1738-520-200-00 | 68 1    |
| 1726-111-200-20 | 5 8     | 1738-312-006-00 | 29 44   | 1738-601-001-00 | 46 33   |
| 1726-111-220-00 | 5 1     | 1738-312-007-00 | 29 45   | 1738-601-002-10 | 46 43   |
| 1726-112-002-10 | 6 11    | 1738-312-009-00 | 29 58   | 1738-601-003-10 | 46 45   |
| 1726-112-210-00 | 6 4     | 1738-312-200-00 | 29 41   | 1738-601-004-20 | 46 46   |
| 1726-406-260-00 | 31 13   | 1738-312-220-10 | 29 5    | 1738-601-200-00 | 46 29   |
| 1726-434-001-00 | 37 33   | 1738-312-240-00 | 29 54   | 1738-601-210-00 | 46 16   |
| 1726-434-004-00 | 37 34   | 1738-312-260-00 | 29 55   | 1738-603-001-00 | 48 2    |
| 1726-508-230-00 | 43 7    | 1738-312-280-00 | 29 29   | 1738-606-230-00 | 49 1    |
| 1726-601-001-00 | 46 17   | 1738-312-290-00 | 29 30   | 1738-606-240-00 | 49 5    |
| 1726-601-003-00 | 46 24   | 1738-312-300-10 | 29 36   | 1738-606-250-00 | 49 9    |
| 1726-601-004-00 | 46 21   | 1738-312-310-00 | 29 20   | 1738-611-200-00 | 50 1    |
| 1726-601-005-00 | 46 11   | 1738-312-320-20 | 29 1    | 1738-611-210-10 | 50 5    |
| 1726-601-006-10 | 46 37   | 1738-317-210-00 | 64 1    | 1738-611-220-10 | 50 7    |
| 1726-601-007-00 | 46 2    | 1738-317-220-00 | 64 6    | 1738-626-200-10 | 51 1    |
| 1726-601-008-00 | 46 30   | 1738-406-200-00 | 31 7    | 1738-630-001-10 | 52 14   |
| 1726-601-009-00 | 46 32   | 1738-406-210-00 | 31 12   | 1738-630-002-10 | 52 16   |
| 1726-601-011-00 | 46 7    | 1738-406-230-00 | 31 27   | 1738-630-003-10 | 52 17   |
| 1726-601-012-00 | 46 3    | 1738-406-240-00 | 31 20   | 1738-630-011-00 | 52 22   |
| 1726-601-014-00 | 46 22   | 1738-410-001-00 | 32 3    | 1738-630-012-00 | 52 15   |
| 1726-601-200-20 | 46 1    | 1738-410-210-00 | 32 1    | 1738-630-200-20 | 52 1    |
| 1726-601-220-00 | 46 14   | 1738-411-210-00 | 33 1    | 1738-630-210-10 | 52 2    |
| 1726-601-240-10 | 46 31   | 1738-411-300-10 | 65 1    | 1738-660-001-00 | 53 12   |
| 1726-603-004-00 | 48 16   | 1738-431-210-00 | 34 1    | 1738-670-210-00 | 54 1    |
| 1726-630-300-10 | 52 3    | 1738-431-220-00 | 34 9    | 1738-670-220-00 | 54 2    |
| 1738-105-210-00 | 4 21    | 1738-431-230-00 | 34 10   | 1738-690-200-00 | 56 1    |
| 1738-112-210-00 | 6 1     | 1738-432-200-00 | 35 1    | 1738-690-202-00 | 56 8    |
| 1738-120-210-20 | 8 1     | 1738-433-001-00 | 36 1    | 1738-690-203-00 | 56 10   |
| 1738-122-200-20 | 9 1     | 1738-433-200-10 | 36 5    | 1738-702-300-00 | 57 1    |
| 1738-205-200-00 | 14 2    | 1738-501-001-00 | 39 20   |                 | 69 2    |
| 1738-207-200-10 | 15 4    | 1738-502-001-00 | 40 3    | 1738-702-310-00 | 57 11   |
| 1738-212-002-00 | 20 1    | 1738-502-210-10 | 40 10   |                 | 69 12   |
| 1738-216-003-00 | 21 19   | 1738-505-002-10 | 42 13   | 1738-702-320-00 | 57 12   |
| 1738-216-220-00 | 21 17   | 1738-505-200-00 | 42 1    |                 | 69 13   |
| 1738-218-200-00 | 22 1    | 1738-505-210-10 | 42 4    | 1738-702-400-00 | 69 1    |
| 1738-255-001-00 | 23 41   | 1738-508-001-00 | 43 31   | 1738-901-001-00 | 58 1    |
|                 | 62 40   | 1738-508-210-00 | 43 1    | 1738-901-002-00 | 58 2    |
| 1738-255-002-00 | 23 40   | 1738-508-220-00 | 43 2    | 1738-901-003-00 | 58 4    |
|                 | 62 39   | 1738-508-230-00 | 43 23   | 1738-902-003-00 | 59 2    |
| 1738-255-200-10 | 62 1    | 1738-508-240-00 | 43 29   | 1738-902-006-00 | 59 11   |
| 1738-255-310-10 | 23 30   | 1738-514-001-00 | 44 4    | 1738-902-007-00 | 59 12   |
|                 | 62 29   | 1738-514-002-00 | 44 15   |                 | 62 46   |

## Numerical Index

1738-097-100-00

| Part Code       | Fig.Key |    | Part Code       | Fig.Key |    | Part Code       | Fig.Key |    |
|-----------------|---------|----|-----------------|---------|----|-----------------|---------|----|
| 1738-904-001-00 | 60      | 14 | 3640-585-001-00 | 62      | 30 | P103-601-005-00 | 46      | 20 |
| 1739-660-200-10 | 53      | 3  | 3650-270-214-00 | 54      | 12 | P120-605-031-00 | 29      | 9  |
| 1739-660-212-00 | 53      | 7  | 3659-480-003-00 | 29      | 57 | V120-264-001-20 | 54      | 16 |
| 1739-702-001-00 | 57      | 15 | 3668-612-001-00 | 29      | 37 | V120-265-003-00 | 55      | 30 |
|                 | 69      | 16 | 3670-236-003-00 | 49      | 14 | V120-266-002-00 | 49      | 15 |
| 1739-904-001-00 | 60      | 5  | 3670-520-008-00 | 23      | 38 | V120-366-001-60 | 54      | 20 |
| 1740-313-300-00 | 29      | 23 |                 | 62      | 37 | V120-376-001-60 | 48      | 11 |
| 1740-313-301-00 | 29      | 27 | 3676-491-005-00 | 46      | 25 |                 | 49      | 10 |
| 1740-602-051-00 | 47      | 5  | 3680-155-005-00 | 46      | 48 | V120-376-002-00 | 48      | 8  |
| 1740-602-052-00 | 47      | 8  | 3737-172-011-00 | 56      | 23 | V195-163-010-40 | 54      | 11 |
| 1740-602-053-00 | 47      | 10 |                 | 56      | 27 | V195-164-016-40 | 54      | 18 |
| 1740-602-054-00 | 47      | 11 |                 | 56      | 28 | V200-260-501-0B | 5       | 7  |
| 1740-602-056-00 | 47      | 1  | 3740-162-005-00 | 47      | 14 | V200-260-602-00 | 47      | 16 |
| 1740-602-057-00 | 47      | 3  | 3801-493-003-00 | 50      | 8  | V200-360-604-00 | 23      | 34 |
| 1740-602-500-00 | 47      | 18 | 3821-262-202-00 | 56      | 4  |                 | 62      | 33 |
| 1740-630-054-00 | 52      | 11 | 3821-262-204-00 | 56      | 5  | V201-260-801-60 | 39      | 24 |
| 1740-630-055-00 | 52      | 12 | 3827-270-001-00 | 56      | 6  | V201-260-802-00 | 46      | 39 |
| 1740-680-530-00 | 55      | 1  | 3827-270-002-00 | 56      | 9  | V201-260-803-50 | 9       | 2  |
| 1740-680-550-00 | 55      | 8  | 4101-102-038-00 | 48      | 7  |                 | 10      | 26 |
| 1740-903-053-00 | 59      | 10 |                 | 49      | 3  | V201-260-806-00 | 10      | 25 |
| 1740-903-055-10 | 59      | 9  |                 | 49      | 7  | V201-260-806-50 | 4       | 12 |
| 1750-208-001-10 | 16      | 6  | 7957-501-004-00 | 50      | 11 | V201-260-808-00 | 3       | 13 |
| 1750-208-200-00 | 16      | 3  | 8654-901-002-00 | 60      | 9  | V201-260-813-00 | 42      | 2  |
| 2130-713-002-10 | 7       | 10 | J061-210-015-00 | 1       | 16 | V201-261-001-60 | 6       | 12 |
| 2142-581-002-00 | 49      | 20 | J061-224-032-00 | 1       | 12 |                 | 56      | 12 |
| 2146-360-014-00 | 29      | 47 |                 | 43      | 6  | V201-261-006-00 | 25      | 8  |
| 2149-601-031-00 | 21      | 14 | J061-230-038-00 | 1       | 9  | V201-261-010-00 | 39      | 5  |
|                 | 23      | 33 | J061-236-044-00 | 1       | 8  | V201-261-203-00 | 44      | 38 |
|                 | 62      | 32 |                 | 1       | 13 | V201-261-204-00 | 25      | 3  |
| 2150-661-002-00 | 55      | 2  | J061-242-050-00 | 3       | 8  | V201-261-205-50 | 25      | 4  |
| 2161-331-001-00 | 58      | 5  | J061-247-055-00 | 3       | 10 | V201-261-206-00 | 25      | 5  |
| 2161-331-400-10 | 30      | 1  | J062-081-087-00 | 4       | 20 | V201-360-802-50 | 44      | 6  |
| 2161-331-401-10 | 30      | 2  | J062-119-126-00 | 4       | 16 | V201-361-009-00 | 23      | 2  |
| 2173-820-003-00 | 17      | 13 |                 | 4       | 18 |                 | 62      | 3  |
| 2186-536-211-00 | 55      | 5  | K135-002-009-00 | 43      | 17 | V201-361-202-50 | 8       | 9  |
| 2186-536-212-00 | 55      | 6  | K135-017-006-00 | 43      | 12 |                 | 26      | 9  |
| 2188-973-200-00 | 61      | 1  | K135-023-000-00 | 43      | 10 |                 | 33      | 2  |
| 2500-901-027-00 | 58      | 7  | K135-023-100-00 | 43      | 11 |                 | 37      | 40 |
| 2703-101-020-00 | 23      | 23 | K211-001-000-00 | 41      | 8  | V201-361-203-00 | 36      | 8  |
|                 | 62      | 23 | K211-001-006-20 | 71      | 2  |                 | 65      | 2  |
| 3610-440-018-00 | 46      | 6  | K211-001-007-00 | 71      | 3  | V201-361-203-50 | 70      | 2  |
| 3625-701-003-00 | 23      | 19 | K211-001-008-00 | 71      | 4  | V201-361-204-00 | 39      | 14 |
|                 | 62      | 21 | K211-001-009-00 | 71      | 5  |                 | 45      | 2  |
| 3640-585-001-00 | 21      | 13 | K211-001-100-10 | 71      | 1  |                 | 68      | 2  |
|                 | 23      | 31 | K250-019-000-10 | 71      | 9  | V201-361-204-50 | 51      | 3  |



# Numerical Index

1738-097-100-00

| Part Code       | Fig.Key | Part Code       | Fig.Key | Part Code       | Fig.Key |
|-----------------|---------|-----------------|---------|-----------------|---------|
| V201-361-206-00 | 39 15   | V211-360-801-60 | 46 23   | V252-341-003-00 | 10 3    |
| V201-361-213-00 | 51 4    |                 | 46 44   |                 | 10 14   |
| V203-361-002-00 | 8 7     |                 | 46 47   | V252-341-003-50 | 10 4    |
| V203-361-002-50 | 32 5    |                 | 48 6    | V252-341-202-50 | 10 9    |
| V203-361-003-00 | 2 3     |                 | 49 4    | V252-341-203-00 | 10 18   |
| V210-360-601-20 | 1 24    |                 | 49 8    | V300-460-006-00 | 23 35   |
|                 | 34 12   |                 | 52 23   |                 | 62 34   |
|                 | 52 25   |                 | 62 48   | V301-260-006-00 | 6 7     |
| V210-360-601-60 | 10 34   | V211-360-802-00 | 1 20    | V304-260-008-00 | 9 3     |
|                 | 21 20   |                 | 2 6     |                 | 9 11    |
|                 | 55 17   |                 | 5 2     |                 | 9 19    |
|                 | 55 18   |                 | 49 2    |                 | 15 6    |
|                 | 56 20   |                 | 49 6    |                 | 16 5    |
| V210-360-602-00 | 23 29   |                 | 50 2    |                 | 29 11   |
|                 | 47 17   |                 | 50 6    |                 | 29 22   |
|                 | 62 28   |                 | 52 13   |                 | 29 32   |
| V210-360-602-50 | 55 19   |                 | 57 16   |                 | 29 53   |
| V210-560-603-00 | 43 26   |                 | 69 17   |                 | 43 21   |
| V210-560-604-50 | 43 9    | V211-360-802-50 | 5 9     |                 | 46 9    |
| V211-260-801-60 | 1 6     |                 | 29 28   |                 | 46 41   |
|                 | 1 26    |                 | 37 32   | V304-260-010-00 | 10 5    |
|                 | 4 22    | V211-360-803-00 | 15 2    |                 | 10 11   |
|                 | 5 14    |                 | 33 7    |                 | 10 15   |
|                 | 8 5     |                 | 65 7    |                 | 24 30   |
|                 | 8 18    | V211-360-803-50 | 3 12    |                 | 39 9    |
|                 | 9 18    | V211-361-002-00 | 16 7    |                 | 42 9    |
|                 | 41 21   | V211-361-002-50 | 23 48   | V304-260-012-00 | 27 8    |
| V211-260-802-00 | 8 21    | V211-361-003-50 | 10 21   |                 | 29 46   |
|                 | 15 12   | V211-361-004-00 | 39 4    |                 | 70 4    |
| V211-260-802-50 | 10 32   | V211-361-004-50 | 39 6    | V304-260-016-00 | 57 3    |
|                 | 39 19   | V211-560-802-00 | 15 18   |                 | 69 4    |
|                 | 52 5    | V211-560-802-50 | 24 18   | V304-460-008-00 | 21 16   |
| V211-260-805-00 | 41 9    | V211-561-001-60 | 41 6    | V304-460-010-00 | 31 11   |
| V211-261-002-00 | 21 18   | V211-561-002-00 | 31 8    |                 | 37 38   |
| V211-261-002-50 | 52 4    | V211-561-003-00 | 37 5    | V304-460-012-00 | 10 19   |
| V211-261-003-50 | 55 26   |                 | 44 16   |                 | 22 3    |
| V211-360-801-60 | 6 2     | V211-561-003-50 | 37 36   | V304-460-014-00 | 53 14   |
|                 | 23 27   | V211-660-802-50 | 28 13   |                 | 57 14   |
|                 | 34 11   | V233-361-201-60 | 23 25   |                 | 69 15   |
|                 | 42 14   |                 | 62 25   | V305-260-008-00 | 40 9    |
|                 | 43 4    | V251-261-202-5D | 10 8    |                 | 44 7    |
|                 | 43 28   | V251-261-205-50 | 27 7    | V305-260-012-00 | 44 11   |
|                 | 43 30   | V251-341-002-8D | 37 37   | V327-262-110-00 | 30 3    |
|                 | 46 13   | V251-341-003-00 | 31 9    |                 | 31 25   |
|                 | 46 15   | V252-261-005-50 | 10 10   |                 | 38 5    |

## Numerical Index

1738-097-100-00

| Part Code       | Fig.Key | Part Code       | Fig.Key | Part Code       | Fig.Key |
|-----------------|---------|-----------------|---------|-----------------|---------|
| V328-262-110-00 | 7 11    | V401-160-012-00 | 10 20   | V411-260-008-00 | 49 18   |
| V334-260-010-00 | 72 14   |                 | 22 2    |                 | 62 41   |
| V334-260-020-00 | 31 3    |                 | 25 6    | V411-260-010-00 | 6 13    |
| V334-460-010-00 | 8 6     |                 | 26 10   |                 | 10 7    |
|                 | 31 6    |                 | 33 3    |                 | 10 13   |
| V335-260-012-00 | 55 21   |                 | 36 9    |                 | 10 17   |
| V350-160-006-00 | 46 35   |                 | 37 41   |                 | 25 10   |
|                 | 47 7    |                 | 39 16   |                 | 29 49   |
|                 | 47 13   |                 | 44 39   |                 | 30 4    |
|                 | 48 15   |                 | 45 3    |                 | 39 7    |
| V360-260-006-00 | 48 12   |                 | 51 2    |                 | 41 7    |
|                 | 55 3    |                 | 65 3    |                 | 42 8    |
| V361-260-006-00 | 49 16   |                 | 68 3    |                 | 50 9    |
| V362-260-008-00 | 5 15    |                 | 70 3    |                 | 56 13   |
|                 | 53 8    | V401-160-014-00 | 53 13   | V411-260-012-00 | 25 7    |
| V363-260-008-00 | 33 8    |                 | 57 13   |                 | 27 9    |
|                 | 65 8    |                 | 69 14   |                 | 44 40   |
| V401-160-006-00 | 29 39   | V401-160-016-00 | 57 4    |                 | 51 5    |
| V401-160-008-00 | 3 14    |                 | 69 5    | V411-260-014-00 | 31 14   |
|                 | 4 13    | V401-160-020-00 | 31 4    | V411-260-016-00 | 44 29   |
|                 | 10 27   | V401-170-008-00 | 43 18   |                 | 57 5    |
|                 | 18 3    | V411-260-004-00 | 49 12   |                 | 69 6    |
|                 | 18 11   | V411-260-005-00 | 41 17   | V500-161-601-50 | 52 21   |
|                 | 24 11   | V411-260-006-00 | 6 8     | V500-162-001-50 | 23 43   |
|                 | 34 8    |                 | 7 3     |                 | 41 13   |
|                 | 42 3    |                 | 7 14    |                 | 41 16   |
|                 | 43 22   |                 | 9 7     |                 | 62 42   |
| V401-160-010-00 | 2 4     |                 | 29 40   | V500-162-002-00 | 7 4     |
|                 | 6 14    |                 | 41 14   |                 | 7 15    |
|                 | 8 8     |                 | 46 18   |                 | 9 8     |
|                 | 10 6    |                 | 47 15   |                 | 17 5    |
|                 | 10 12   | V411-260-008-00 | 48 5    |                 | 27 5    |
|                 | 10 16   |                 | 4 14    |                 | 29 15   |
|                 | 23 3    |                 | 9 13    |                 | 29 19   |
|                 | 24 31   |                 | 10 28   |                 | 29 35   |
|                 | 25 9    |                 | 17 7    |                 | 30 5    |
|                 | 31 10   |                 | 18 4    |                 | 46 19   |
|                 | 31 24   |                 | 18 12   | V500-162-502-00 | 29 50   |
|                 | 32 6    |                 | 23 42   |                 | 31 26   |
|                 | 37 39   |                 | 27 4    |                 | 38 6    |
|                 | 38 4    |                 | 29 14   |                 | 44 14   |
|                 | 39 8    |                 | 29 18   | V500-162-502-50 | 7 12    |
|                 | 56 14   |                 | 34 13   |                 | 21 4    |
|                 | 62 4    |                 | 46 8    |                 | 31 15   |
| V401-160-012-00 | 8 10    |                 | 46 40   | V500-163-001-50 | 9 14    |

# Numerical Index

1738-097-100-00

| Part Code       | Fig. | Key | Part Code       | Fig. | Key | Part Code       | Fig. | Key |
|-----------------|------|-----|-----------------|------|-----|-----------------|------|-----|
| V500-163-002-00 | 8    | 14  | V600-110-630-40 | 12   | 12  | V705-140-052-00 | 23   | 17  |
| V500-164-002-50 | 44   | 28  |                 | 14   | 3   |                 | 35   | 7   |
| V511-100-805-00 | 29   | 2   |                 | 19   | 2   |                 | 62   | 18  |
|                 | 29   | 42  |                 | 23   | 14  | V706-140-040-00 | 35   | 16  |
| V522-100-801-80 | 10   | 29  |                 | 62   | 16  |                 | 40   | 5   |
|                 | 15   | 3   | V600-110-630-50 | 37   | 8   | V706-140-050-00 | 35   | 15  |
|                 | 25   | 11  | V600-110-630-60 | 26   | 5   | V707-140-055-00 | 37   | 16  |
|                 | 39   | 10  | V600-110-690-70 | 37   | 13  | V707-140-062-00 | 37   | 9   |
| V523-100-801-60 | 24   | 9   | V607-110-620-40 | 11   | 8   | V707-140-080-00 | 26   | 8   |
| V523-101-002-40 | 10   | 31  | V607-110-620-50 | 19   | 8   | V720-101-900-70 | 39   | 21  |
|                 | 23   | 4   | V607-110-630-40 | 20   | 5   |                 | 41   | 20  |
|                 | 37   | 6   | V653-622-282-00 | 13   | 2   | V720-101-900-90 | 57   | 9   |
|                 | 37   | 31  | V654-416-201-70 | 11   | 5   |                 | 69   | 10  |
|                 | 37   | 35  | V682-200-001-00 | 17   | 4   | V720-102-401-00 | 4    | 4   |
|                 | 62   | 5   |                 | 18   | 8   |                 | 18   | 5   |
| V530-240-502-40 | 24   | 26  |                 | 18   | 18  |                 | 18   | 13  |
| V580-140-403-60 | 39   | 22  |                 | 21   | 3   |                 | 24   | 28  |
| V580-140-502-00 | 17   | 9   |                 | 23   | 21  |                 | 41   | 23  |
|                 | 42   | 12  |                 | 62   | 13  | V720-102-401-40 | 17   | 14  |
| V580-140-502-50 | 21   | 11  | V682-200-001-90 | 28   | 4   |                 | 21   | 7   |
|                 | 35   | 12  |                 | 28   | 8   |                 | 23   | 24  |
| V580-140-503-20 | 17   | 16  | V704-140-014-00 | 18   | 14  |                 | 62   | 24  |
|                 | 44   | 22  | V704-140-020-00 | 11   | 9   | V720-102-401-60 | 25   | 13  |
| V580-140-601-60 | 13   | 6   |                 | 19   | 15  | V720-102-401-80 | 28   | 10  |
| V580-140-602-50 | 23   | 45  |                 | 20   | 7   | V720-103-504-20 | 36   | 4   |
|                 | 62   | 44  | V704-140-022-00 | 13   | 4   | V720-103-504-40 | 4    | 8   |
| V580-140-602-80 | 8    | 24  |                 | 29   | 3   | V720-105-705-50 | 41   | 2   |
| V580-140-604-00 | 23   | 10  |                 | 29   | 56  | V720-111-900-60 | 43   | 16  |
|                 | 62   | 10  | V704-140-025-00 | 11   | 6   |                 | 71   | 8   |
| V600-110-600-50 | 37   | 11  |                 | 19   | 9   | V720-112-401-20 | 39   | 12  |
|                 | 37   | 23  |                 | 23   | 12  |                 | 39   | 18  |
| V600-110-600-80 | 37   | 14  |                 | 23   | 39  |                 | 71   | 7   |
| V600-110-600-90 | 24   | 12  |                 | 31   | 19  | V720-112-401-80 | 43   | 32  |
| V600-110-601-00 | 24   | 13  |                 | 35   | 5   |                 | 57   | 7   |
|                 | 35   | 14  |                 | 37   | 29  |                 | 69   | 8   |
| V600-110-620-40 | 11   | 3   |                 | 62   | 15  | V720-112-402-00 | 43   | 8   |
|                 | 14   | 4   |                 | 62   | 38  |                 | 43   | 25  |
|                 | 19   | 11  | V704-140-030-00 | 26   | 7   | V720-112-402-20 | 43   | 15  |
| V600-110-620-50 | 23   | 16  | V704-140-035-00 | 37   | 15  | V720-113-502-80 | 43   | 3   |
|                 | 35   | 2   |                 | 40   | 6   | V721-103-107-00 | 36   | 7   |
|                 | 37   | 27  | V705-140-028-00 | 15   | 10  | V721-103-109-00 | 37   | 4   |
|                 | 62   | 17  | V705-140-047-00 | 37   | 3   | V721-103-111-50 | 28   | 12  |
| V600-110-620-60 | 24   | 21  |                 | 37   | 19  | V721-113-105-00 | 43   | 14  |
|                 | 37   | 28  | V705-140-052-00 | 12   | 13  | V721-113-106-00 | 39   | 13  |
| V600-110-620-80 | 26   | 6   |                 | 19   | 3   | V723-101-501-40 | 16   | 2   |

## Numerical Index

1738-097-100-00

| Part Code       | Fig.Key | Part Code | Fig.Key | Part Code | Fig.Key |
|-----------------|---------|-----------|---------|-----------|---------|
| V723-102-003-00 | 15 11   |           |         |           |         |
| V742-135-500-60 | 40 2    |           |         |           |         |
| V744-114-280-70 | 43 13   |           |         |           |         |
| V744-120-350-70 | 8 2     |           |         |           |         |
|                 | 11 2    |           |         |           |         |
|                 | 14 5    |           |         |           |         |
| V744-135-520-80 | 23 18   |           |         |           |         |
|                 | 62 20   |           |         |           |         |
| V744-135-550-80 | 20 8    |           |         |           |         |
| V760-150-000-00 | 29 38   |           |         |           |         |
| V763-150-000-00 | 8 3     |           |         |           |         |
|                 | 9 4     |           |         |           |         |
|                 | 29 7    |           |         |           |         |
| V780-140-000-10 | 32 4    |           |         |           |         |
| V780-140-000-1T | 71 6    |           |         |           |         |
| V781-160-000-6B | 23 5    |           |         |           |         |
|                 | 62 26   |           |         |           |         |
| V782-160-000-2T | 8 4     |           |         |           |         |
|                 | 43 24   |           |         |           |         |
| V782-160-000-4B | 37 20   |           |         |           |         |
| V881-005-001-20 | 66 4    |           |         |           |         |
|                 | 66 9    |           |         |           |         |
| V889-000-081-60 | 64 4    |           |         |           |         |
|                 | 64 9    |           |         |           |         |
| V999-200-003-00 | 63 5    |           |         |           |         |
|                 | 63 10   |           |         |           |         |
|                 | 64 5    |           |         |           |         |
|                 | 64 10   |           |         |           |         |
|                 | 66 5    |           |         |           |         |
|                 | 66 10   |           |         |           |         |
|                 | 67 5    |           |         |           |         |
|                 | 67 10   |           |         |           |         |
|                 |         |           |         |           |         |
|                 |         |           |         |           |         |
|                 |         |           |         |           |         |

## Alphabetical Index

6003-097-240-00

| Description           | Fig.Key | Description           | Fig.Key | Description            | Fig.Key |
|-----------------------|---------|-----------------------|---------|------------------------|---------|
| ADAPTER/210X070 ASSY  | 22 1    | BOLT/FLANGE           | 23 6    | DOWEL                  | 5 21    |
| ARM/CONTROL           | 20 27   | BOLT/M10X1.25X82      | 1 7     | DRIVE/TACHOMETE ASSY   | 9 37    |
| ARM/FLOATING COMP     | 20 18   | BOLT/M6               | 9 34    | EYEBOLT                | 27 52   |
| ARM/TENSION           | 22 2    | BOLT/M6               | 9 35    | FAN/COOLING            | 18 1    |
| ARMATURE/STARTE ASSY  | 28 5    | BOLT/M6X10            | 20 16   | FLANGEBOLT             | 3 3     |
| BALL                  | 1 5     | BOLT/M6X18            | 20 7    | FLANGEBOLT             | 3 4     |
| BEARING, BALL         | 29 4    | BOLT/THROUGH          | 28 30   | FLANGEBOLT             | 5 26    |
| BEARING, RB/6002SS    | 15 8    | BOLT/WS               | 16 6    | FLANGEBOLT             | 7 4     |
| BEARING, RB/6004      | 20 12   | BOLT/WS               | 18 4    | FLANGEBOLT             | 9 10    |
| BEARING, RB/6005      | 9 51    | BOLT/WS               | 23 9    | FLANGEBOLT             | 9 11    |
| BEARING, RB/6203      | 20 11   | BRACKET ROCKER SHAFT  | 11 12   | FLANGEBOLT             | 9 13    |
| BEARING, THRUST CRANK | 5 13    | BRACKET, ROCKER SHAFT | 11 13   | FLANGEBOLT             | 9 14    |
| BEARING, THRUST CRANK | 6 2     | BRUSH/STARTER         | 28 2    | FLANGEBOLT             | 9 15    |
| BEARING, THRUST CRANK | 6 4     | CAMSHAFT/INJPUMP      | 20 8    | FLANGEBOLT             | 9 17    |
| BEARING/CONNECTING R  | 6 5     | CAP                   | 29 13   | FLANGEBOLT             | 9 39    |
| BEARING/CONNECTING R  | 6 6     | CAP, BLANK/30         | 9 40    | FLANGEBOLT             | 11 19   |
| BEARING/CONNECTING R  | 13 7    | CAP, OIL FILLER       | 2 2     | FLANGEBOLT             | 16 11   |
| BEARING/CRANK/LOWER   | 5 12    | CAP, SEALING          | 1 2     | FLANGEBOLT             | 17 13   |
| BEARING/CRANK/UPPER   | 5 11    | CARTRIDGE/OILFILTER   | 16 15   | FLANGEBOLT             | 17 18   |
| BEARING/NEEDLE        | 28 8    | CENTER CRANK PULLEY   | 15 12   | FLANGEBOLT             | 17 24   |
| BEARING/NEEDLE        | 28 9    | CLAMP                 | 29 9    | FLANGEBOLT             | 17 25   |
| BEARING/OILLESS       | 28 12   | CLAMP, STRAINER       | 16 10   | FLANGEBOLT             | 17 29   |
| BEARING/OILLESS       | 28 14   | CLAMP/WIRE/10-15      | 17 21   | FLANGEBOLT             | 23 4    |
| BEARING/OILLESS       | 28 16   | CLUTCH/STARTER ASSY   | 28 6    | FLANGEBOLT             | 24 7    |
| BEARING/WATER PUMP    | 17 3    | COLLAR                | 29 5    | FLYWEI GHT             | 20 15   |
| BEARING/WATERPUMP     | 17 4    | CONNECTINGROD ASSY    | 13 5    | FLYWHEEL ASSY          | 15 5    |
| BEARING/WITH SHOCKAB  | 28 13   | CONNECTOR/FUEL        | 21 1    | FRAME/COMMUTATOR END   | 28 10   |
| BELT VHMD34           | 18 5    | CONNECTOR/GLOWPLUG    | 24 4    | GASKET                 | 2 5     |
| BODY/OILPUMP          | 16 2    | CONNECTOR/OILFILTER   | 9 2     | GASKET                 | 17 8    |
| BODY/WATERPUMP        | 17 2    | CONTROLROD            | 27 48   | GASKET                 | 24 6    |
| BOLT                  | 5 2     | CONTROLSLEEVE         | 27 51   | GASKET                 | 25 5    |
| BOLT                  | 9 45    | COUPLER               | 29 10   | GASKET                 | 25 22   |
| BOLT                  | 11 18   | COVER                 | 9 54    | GASKET                 | 26 17   |
| BOLT                  | 15 13   | COVER                 | 28 11   | GASKET                 | 27 5    |
| BOLT                  | 15 16   | COVER/CYLINDER HEAD   | 2 1     | GASKET                 | 27 53   |
| BOLT                  | 16 7    | COVER/INJECTIONPUMP   | 5 24    | GASKET                 | 27 55   |
| BOLT                  | 27 54   | CRANKSHAFT ASSY       | 15 1    | GASKET                 | 27 57   |
| BOLT, JOINT           | 16 13   | CUP/SEALING/12        | 5 7     | GASKET, EXH. MANI FOLD | 4 2     |
| BOLT, SEMS/M10X20     | 8 4     | CUP/SEALING/16        | 9 4     | GASKET, EXH. MANI FOLD | 25 7    |
| BOLT, SEMS/M6X12      | 12 5    | CUP/SEALING/28        | 5 3     | GASKET, INLET MANI FOL | 3 2     |
| BOLT, SEMS/M6X12      | 20 14   | CUP/SEALING/36        | 5 4     | GASKET, INLET MANI FOL | 25 6    |
| BOLT, SEMS/M6X25 7T   | 4 3     | CUTTER, VALVE         | 11 5    | GASKET, NOZZLE         | 19 2    |
| BOLT/CONNECTINGROD    | 13 6    | CYLINDERBLOCK ASSY    | 5 1     | GASKET/COVER           | 5 25    |
| BOLT/FLANGE           | 10 2    | CYLINDERHEAD ASSY     | 1 1     | GASKET/COVER           | 9 55    |
| BOLT/FLANGE           | 15 9    | DELIVERYVALVE         | 27 3    | GASKET/COVER           | 25 11   |

## Alphabetical Index

6003-097-240-00

| Description          | Fig.Key | Description         | Fig.Key | Description           | Fig.Key |
|----------------------|---------|---------------------|---------|-----------------------|---------|
| GASKET/CYLINDERHEAD  | 1 6     | METAL, CRANK SET    | 6 3     | PIN                   | 27 9    |
| GASKET/CYLINDERHEAD  | 25 3    | NIPPLE              | 5 22    | PIN                   | 27 13   |
| GASKET/GEARCASE      | 9 29    | NOZZLE              | 26 16   | PIN, CONTROL          | 20 20   |
| GASKET/GEARCASE      | 25 14   | NUT                 | 9 36    | PIN, GROOVE           | 9 28    |
| GASKET/HOUSING       | 17 23   | NUT                 | 11 17   | PIN, PISTON           | 13 3    |
| GASKET/HOUSING       | 25 20   | NUT                 | 20 28   | PIN, STARTING SPRING  | 5 27    |
| GASKET/PLATE         | 9 44    | NUT                 | 26 18   | PIN/ARM               | 9 23    |
| GASKET/PLATE         | 25 15   | NUT                 | 28 28   | PIN/IDLEGEAR          | 5 6     |
| GASKET/SPACER        | 17 16   | NUT                 | 28 29   | PIN/SNAP              | 9 24    |
| GASKET/SPACER        | 25 19   | NUT                 | 28 34   | PIN/STRAIGHT          | 5 16    |
| GASKET/WATER PUMP    | 17 12   | NUT                 | 29 8    | PIN/STRAIGHT          | 5 18    |
| GASKET/WATER PUMP    | 25 18   | NUT, CAP/M 8        | 9 21    | PIN/STRAIGHT          | 8 3     |
| GEAR/CAMSHAFT        | 12 2    | NUT/CAP             | 2 4     | PIN/STRAIGHT          | 9 8     |
| GEAR/CRANK           | 15 3    | NUT/MD8             | 9 12    | PIN/STRAIGHT          | 15 7    |
| GEAR/IDLE ASSY       | 12 6    | NUT/MD8             | 11 20   | PIN/STRAIGHT          | 16 5    |
| GEAR/INJECTIONPUMP   | 20 9    | NUT/MD8             | 17 14   | PIN/TUBE              | 5 15    |
| GEAR/OILPUMP ASSY    | 16 3    | NUT/MD8             | 17 19   | PIN/TUBE              | 9 48    |
| GEAR/STARTER PLANETA | 28 17   | NUT/M10             | 23 7    | PIPE, OIL             | 16 12   |
| GEAR/STARTERINTERNAL | 28 18   | NUT/MB              | 9 20    | PIPE, WATER OUTLET    | 17 27   |
| GEARCASE ASSY        | 9 1     | NUT/MB              | 9 52    | PIPE/FUEL             | 21 2    |
| GENERATOR/12V-8.5A   | 23 1    | NUT/MB              | 9 56    | PIPE/INJECTION ASSY   | 19 3    |
| GLOWPLUG             | 24 3    | NUT/MB              | 28 32   | PIPE/INJECTION ASSY   | 19 4    |
| HANGER               | 10 1    | NUT/NOZZLERETAINING | 26 15   | PIPE/INJECTION ASSY   | 19 5    |
| HOLDER DELIVERY VALV | 27 6    | NUT/PINIONSTOP      | 28 23   | PIPE/WATER PUMP       | 17 11   |
| HOLDER/JE/9-9        | 9 16    | O-RING              | 9 42    | PIPE/WATERDRAIN       | 5 23    |
| HOLDER/NOZZLE ASSY   | 26 1    | O-RING              | 17 28   | PISTON                | 13 1    |
| HOLDER/STARTER ASSY  | 28 3    | O-RING              | 25 21   | PISTON/OV             | 14 1    |
| HOSE/RABBER          | 2 6     | O-RING 1A S50       | 9 47    | PISTON/OV             | 14 3    |
| HOSE/RUBBER          | 17 20   | O-RING 1A S50       | 25 16   | PISTON/VALVE/RELIEF   | 9 31    |
| HOUSING, PUMP        | 27 1    | O-RING/P 8          | 20 25   | PLATE                 | 27 49   |
| HOUSING/STARTER ASSY | 28 7    | O-RING/P15          | 16 9    | PLATE                 | 28 27   |
| HOUSING/THERMSTAT    | 17 22   | O-RING/P15          | 25 17   | PLATE COMP            | 29 1    |
| INJECTIONNOZZLE ASSY | 19 1    | O-RING/P18          | 7 3     | PLATE, THRUST         | 12 4    |
| INJECTIONPUMP ASSY   | 20 1    | OILPAN COMP         | 7 1     | PLATE, THRUST INJPUMP | 20 13   |
| KEY/07X05X09         | 12 3    | OILPUMP ASSY        | 16 1    | PLATE/ADJUST          | 23 3    |
| KEY/07X05X09         | 20 10   | OILSEAL             | 5 14    | PLATE/FRONT           | 9 43    |
| KEY/07X05X43         | 15 4    | OILSEAL             | 25 10   | PLATE/REAR            | 8 1     |
| LEVELGAGE            | 5 28    | ORING               | 27 7    | PLATE/T=1.80          | 27 18   |
| LEVER/CONTROL COMP   | 20 24   | ORING               | 27 10   | PLATE/T=1.825         | 27 33   |
| LEVER/PINI ONDRIVE   | 28 19   | PACKING             | 9 22    | PLATE/T=1.85          | 27 19   |
| LINK, CONTROL        | 20 19   | PACKING             | 16 14   | PLATE/T=1.875         | 27 34   |
| MANIFOLD(INLET) ASSY | 3 1     | PACKING             | 25 13   | PLATE/T=1.90          | 27 20   |
| MANIFOLD, EXH        | 4 1     | PIN                 | 5 17    | PLATE/T=1.925         | 27 35   |
| METAL, CRANK SET     | 5 10    | PIN                 | 9 25    | PLATE/T=1.95          | 27 21   |
| METAL, CRANK SET     | 6 1     | PIN                 | 15 2    | PLATE/T=1.975         | 27 36   |

## Alphabetical Index

6003-097-240-00

| Description        | Fig.Key | Description           | Fig.Key | Description           | Fig.Key |
|--------------------|---------|-----------------------|---------|-----------------------|---------|
| PLATE/T=2. 00      | 27 22   | RING/0                | 9 38    | SHIM/0. 54            | 26 8    |
| PLATE/T=2. 025     | 27 37   | RING/PISTON SET       | 13 2    | SHIM/0. 56            | 26 9    |
| PLATE/T=2. 05      | 27 23   | RING/PISTON/OV SET    | 14 2    | SHIM/0. 58            | 26 10   |
| PLATE/T=2. 075     | 27 38   | RING/PISTON/OV SET    | 14 4    | SHIM/0. 80            | 26 11   |
| PLATE/T=2. 10      | 27 24   | RING/SNAP             | 28 21   | SHIM/INJECTION P/0. 1 | 20 3    |
| PLATE/T=2. 125     | 27 39   | RING/SNAP             | 28 22   | SHIM/INJECTION P/0. 2 | 20 4    |
| PLATE/T=2. 15      | 27 25   | RINGGEAR              | 15 6    | SHIM/INJECTION P/0. 3 | 20 2    |
| PLATE/T=2. 175     | 27 40   | ROCKERARM             | 11 9    | SHIM/INJECTION P/0. 4 | 20 5    |
| PLATE/T=2. 20      | 27 26   | ROCKERSHAFT ASSY      | 11 8    | SHIM/INJECTION P/0. 5 | 20 6    |
| PLATE/T=2. 225     | 27 41   | ROD, PUSH             | 11 7    | SLEEVE, FRANGE        | 27 8    |
| PLATE/T=2. 25      | 27 27   | ROTOR/OUTER           | 16 4    | SOLENOID              | 24 5    |
| PLATE/T=2. 275     | 27 42   | ROTOR/WATERPUMP       | 17 6    | SPACER                | 9 46    |
| PLATE/T=2. 30      | 27 28   | SCREW                 | 27 11   | SPACER                | 26 14   |
| PLATE/T=2. 325     | 27 43   | SCREW                 | 27 50   | SPACER, OIL FILTER    | 9 41    |
| PLATE/T=2. 35      | 27 29   | SCREW                 | 28 33   | SPACER, WATER PUMP    | 17 15   |
| PLATE/T=2. 375     | 27 44   | SCREW                 | 29 11   | SPACER/FAN/48         | 18 3    |
| PLATE/T=2. 40      | 27 30   | SCREW                 | 29 12   | SPRING                | 11 14   |
| PLATE/T=2. 425     | 27 45   | SCREW ADJUST          | 11 16   | SPRING DELIVERY VALV  | 27 4    |
| PLATE/T=2. 45      | 27 31   | SCREW/WATER PUMP      | 17 10   | SPRING, NOZZLE        | 26 12   |
| PLATE/T=2. 475     | 27 46   | SEAL SET/WATER PUMP   | 17 5    | SPRING, PLUNGER       | 27 15   |
| PLATE/T=2. 50      | 27 32   | SEAL, BEARING CAP     | 5 8     | SPRING, RETURN        | 20 26   |
| PLATE/T=2. 525     | 27 47   | SEAL, BEARING CAP     | 25 8    | SPRING, SETTING       | 20 22   |
| PLATE/WATER PUMP   | 17 9    | SEAL, BEARING CAP/7   | 5 9     | SPRING/GOVERNER       | 20 23   |
| PLUG               | 5 5     | SEAL, BEARING CAP/7   | 25 9    | SPRING/RELIEF VALVE   | 9 32    |
| PLUG               | 9 3     | SEAL, CYL. HEAD COVER | 2 3     | SPRING/STARTERBRUSH   | 28 4    |
| PLUG               | 11 11   | SEAL, CYL. HEAD COVER | 25 4    | SPRING/STARTING       | 20 31   |
| PLUG               | 27 56   | SEAL, OIL             | 1 4     | SPRING/VALVE          | 11 3    |
| PLUG/M14X1. 5      | 7 2     | SEAL, OIL             | 9 9     | STARTER               | 29 2    |
| PLUG/PT1/2         | 1 3     | SEAL, OIL             | 25 2    | STARTER ASSY          | 23 8    |
| PLUG/PT3/4         | 5 30    | SEAL, OIL             | 25 12   | STOPPER/FULLLOAD      | 9 19    |
| PLUG/SCREW         | 9 26    | SEAL/WATER PUMPPULE   | 17 7    | STRAINER              | 16 8    |
| PLUNGER ASSY       | 27 2    | SEAT, SPRING          | 26 13   | STUD                  | 1 8     |
| POINTER            | 8 2     | SEAT, SPRING          | 27 16   | STUD                  | 5 19    |
| PULLEY             | 15 11   | SEAT, SPRING          | 27 17   | STUD                  | 5 29    |
| PULLEY ASSY        | 15 10   | SEAT, VALVE SPRING    | 11 4    | STUD                  | 9 5     |
| PULLEY COMP        | 29 3    | SHAFT, CAM            | 12 1    | STUD                  | 9 6     |
| PULLEY, WATER PUMP | 18 2    | SHAFT/HYDRAULIC ASSY  | 9 50    | STUD                  | 9 7     |
| REGULATOR          | 23 2    | SHAFT/ROCKERARM ASSY  | 11 10   | STUD                  | 9 49    |
| RELAY, SOLENOID    | 24 8    | SHAFT/STARTER PLANET  | 28 15   | STUD                  | 17 17   |
| REPAIR/ENGINESET   | 25 1    | SHIM/0. 10            | 26 2    | STUD/M8X40            | 5 20    |
| RING, SNAP         | 13 4    | SHIM/0. 20            | 26 3    | SWITCH/MAGNETIC ASSY  | 28 20   |
| RING, SNAP         | 27 14   | SHIM/0. 30            | 26 4    | SWITCH/OILPRESSURE    | 24 1    |
| RING, SNAP/ 4 E    | 20 21   | SHIM/0. 40            | 26 5    | SWITCH/OVERHEAT       | 24 2    |
| RING, SNAP/12 C    | 9 33    | SHIM/0. 50            | 26 6    | TAPPET                | 11 6    |
| RING, SNAP/16 C    | 11 15   | SHIM/0. 52            | 26 7    | TAPPET                | 27 12   |





## Alphabetical Index

1738-097-100-00

| Description           | Fig.Key | Description           | Fig.Key | Description          | Fig.Key |
|-----------------------|---------|-----------------------|---------|----------------------|---------|
| ADAPTER/BOLT/G3/8     | 43 31   | BAND, WIRE/140        | 56 26   | BEARING/NEEDLE       | 19 13   |
| ARM, SHI FT           | 17 11   | BAND, WIRE/140        | 56 29   | BEARING/NEEDLE       | 23 8    |
| ARM/BRAKE/LH COMP     | 29 54   | BAND, WIRE/140        | 56 31   | BEARING/NEEDLE       | 62 8    |
| ARM/BRAKE/RH COMP     | 29 55   | BAND, WIRE/250        | 56 18   | BLOT/MI4X10          | 15 20   |
| ARM/DI EF COMP        | 27 1    | BAND, WIRE/250        | 56 30   | BLUB/12V-21/5W       | 53 7    |
| ARM/DI FFLOCK         | 24 29   | BAND/CLEANER          | 3 6     | BOARD/WI REING ASSY  | 54 10   |
| ARM/KNUCKLE/LH        | 37 33   | BATTERY/46B24R ASSY   | 6 4     | BOLT                 | 2 3     |
| ARM/KNUCKLE/RH        | 37 34   | BEARING               | 12 3    | BOLT                 | 23 34   |
| ARM/LI FT             | 40 4    | BEARING               | 15 9    | BOLT                 | 32 5    |
| ARM/MI RROR ASSY      | 52 24   | BEARING               | 37 13   | BOLT                 | 39 15   |
| ARM/PITMAN            | 31 2    | BEARING, BALL         | 72 10   | BOLT                 | 51 4    |
| ARM/PLATE             | 46 7    | BEARING, BALL         | 72 11   | BOLT                 | 62 33   |
| ARM/POSITION COMP     | 42 4    | BEARING, CLUTCH RS    | 8 17    | BOLT                 | 72 19   |
| ARM/POSITION COMP     | 42 11   | BEARING, NEEDLE       | 12 8    | BOLT(S) MI0X25       | 52 4    |
| ARM/PTO COMP          | 21 9    | BEARING, NR/KT162017  | 11 5    | BOLT(S) 7            | 41 6    |
| ARM/PTO/MI D ASSY     | 23 36   | BEARING, NR/TLA222820 | 13 2    | BOLT(SP)/M6X16       | 10 34   |
| ARM/PTO/MI D ASSY     | 62 35   | BEARING, RB/6005      | 37 11   | BOLT(SP)/M6X16       | 21 20   |
| ARM/SHI FT/MAI N COMP | 15 13   | BEARING, RB/6005      | 37 23   | BOLT(SP)/M6X16       | 55 17   |
| ARM/SHI FT/MI D COMP  | 23 20   | BEARING, RB/6008      | 37 14   | BOLT(SP)/M6X16       | 55 18   |
| ARM/SHI FT/MI D COMP  | 23 44   | BEARING, RB/6009      | 24 12   | BOLT(SP)/M6X16       | 56 20   |
| ARM/SHI FT/MI D COMP  | 62 22   | BEARING, RB/6010      | 24 13   | BOLT, ADJUST         | 72 16   |
| ARM/SHI FT/MI D COMP  | 62 43   | BEARING, RB/6010      | 35 14   | BOLT, SEMS           | 1 24    |
| ARM/SHI FT/PTO COMP   | 21 6    | BEARING, RB/6204      | 11 3    | BOLT, SEMS           | 16 7    |
| ARM/SHI FT/SUB COMP   | 16 1    | BEARING, RB/6204      | 14 4    | BOLT, SEMS           | 21 18   |
| ARM/STEERING ASSY     | 31 16   | BEARING, RB/6204      | 19 11   | BOLT, SEMS           | 34 12   |
| ARM/SUB COMP          | 16 3    | BEARING, RB/6204NR    | 11 8    | BOLT, SEMS           | 39 4    |
| BALL                  | 17 4    | BEARING, RB/6205      | 23 16   | BOLT, SEMS           | 52 25   |
| BALL                  | 18 8    | BEARING, RB/6205      | 35 2    | BOLT, SEMS           | 55 26   |
| BALL                  | 18 18   | BEARING, RB/6205      | 37 27   | BOLT, SEMS (SP)      | 6 2     |
| BALL                  | 21 3    | BEARING, RB/6205      | 62 17   | BOLT, SEMS (SP)      | 23 27   |
| BALL                  | 23 21   | BEARING, RB/6205NR    | 19 8    | BOLT, SEMS (SP)      | 34 11   |
| BALL                  | 28 4    | BEARING, RB/6206      | 24 21   | BOLT, SEMS (SP)      | 42 14   |
| BALL                  | 28 8    | BEARING, RB/6206      | 37 28   | BOLT, SEMS (SP)      | 43 4    |
| BALL                  | 62 13   | BEARING, RB/6208      | 26 6    | BOLT, SEMS (SP)      | 43 28   |
| BAND                  | 6 16    | BEARING, RB/6304      | 12 12   | BOLT, SEMS (SP)      | 43 30   |
| BAND                  | 6 17    | BEARING, RB/6304      | 14 3    | BOLT, SEMS (SP)      | 46 13   |
| BAND                  | 56 15   | BEARING, RB/6304      | 19 2    | BOLT, SEMS (SP)      | 46 15   |
| BAND                  | 56 21   | BEARING, RB/6304      | 23 14   | BOLT, SEMS (SP)      | 46 23   |
| BAND                  | 56 25   | BEARING, RB/6304      | 62 16   | BOLT, SEMS (SP)      | 46 44   |
| BAND, WI RE/140       | 6 10    | BEARING, RB/6304NR    | 20 5    | BOLT, SEMS (SP)      | 46 47   |
| BAND, WI RE/140       | 6 15    | BEARING, RB/6305      | 37 8    | BOLT, SEMS (SP)      | 48 6    |
| BAND, WI RE/140       | 56 11   | BEARING, RB/6306      | 26 5    | BOLT, SEMS (SP)      | 49 4    |
| BAND, WI RE/140       | 56 16   | BEARING/BALL          | 11 4    | BOLT, SEMS (SP)      | 49 8    |
| BAND, WI RE/140       | 56 19   | BEARING/BALL 6305SH2  | 12 2    | BOLT, SEMS (SP)      | 52 23   |
| BAND, WI RE/140       | 56 24   | BEARING/BALL 6305SH2  | 20 3    | BOLT, SEMS (S) MBX16 | 1 6     |

## Alphabetical Index

1738-097-100-00

| Description          | Fig.Key | Description        | Fig.Key | Description          | Fig.Key |
|----------------------|---------|--------------------|---------|----------------------|---------|
| BOLT, SEMS (S) MBX16 | 1 26    | BOLT/M12X25        | 37 40   | BOLT/SP              | 23 48   |
| BOLT, SEMS (S) MBX16 | 4 22    | BOLT/M12X30        | 10 18   | BOLT/SP              | 29 28   |
| BOLT, SEMS (S) MBX16 | 5 14    | BOLT/M12X30        | 36 8    | BOLT/SP              | 33 7    |
| BOLT, SEMS (S) MBX16 | 8 5     | BOLT/M12X30        | 44 38   | BOLT/SP              | 37 32   |
| BOLT, SEMS (S) MBX16 | 8 18    | BOLT/M12X30        | 65 2    | BOLT/SP              | 47 17   |
| BOLT, SEMS (S) MBX16 | 9 18    | BOLT/M12X35        | 70 2    | BOLT/SP              | 49 2    |
| BOLT, SEMS (S) MBX16 | 41 21   | BOLT/M12X40        | 25 3    | BOLT/SP              | 49 6    |
| BOLT, SEMS(SP)       | 62 48   | BOLT/M12X40        | 39 14   | BOLT/SP              | 50 2    |
| BOLT, SEMS/MBX25 7T  | 24 18   | BOLT/M12X40        | 45 2    | BOLT/SP              | 50 6    |
| BOLT, SM/MD8X25      | 15 5    | BOLT/M12X40        | 68 2    | BOLT/SP              | 52 13   |
| BOLT, SM/MD8X25      | 16 4    | BOLT/M12X45        | 51 3    | BOLT/SP              | 55 19   |
| BOLT, SM/MD8X25      | 40 8    | BOLT/M12X55        | 25 4    | BOLT/SP              | 57 16   |
| BOLT/ADJUST          | 29 10   | BOLT/M12X60        | 25 5    | BOLT/SP              | 62 28   |
| BOLT/ADJUST          | 72 15   | BOLT/M12X12        | 54 16   | BOLT/SP              | 65 7    |
| BOLT/BATTERY         | 6 5     | BOLT/M5X16         | 48 4    | BOLT/SP              | 69 17   |
| BOLT/KNOB/MD6X13     | 47 19   | BOLT/M5X30         | 55 30   | BOLT/STUD            | 10 3    |
| BOLT/KNOB/MD6X27     | 52 20   | BOLT/M8X20         | 15 18   | BOLT/STUD            | 10 9    |
| BOLT/M 6X20          | 47 16   | BOLT/M8X25         | 18 2    | BOLT/STUD            | 10 14   |
| BOLT/M 8X130         | 42 2    | BOLT/M8X25         | 18 10   | BOLT/STUD            | 27 7    |
| BOLT/M 8X16          | 39 24   | BOLT/M8X25         | 24 10   | BOLT/STUD            | 31 9    |
| BOLT/M 8X20          | 46 39   | BOLT/M8X25         | 28 13   | BOLT/STUD/M10X35     | 31 5    |
| BOLT/M 8X25          | 44 6    | BOLT/M8X28 11T     | 43 17   | BOLT/STUD/SEAL       | 10 8    |
| BOLT/M 8X35          | 9 2     | BOLT/M8X30         | 17 6    | BOLT/STUD/SEAL       | 37 37   |
| BOLT/M 8X35          | 10 26   | BOLT/M8X45         | 21 15   | BOOT                 | 9 15    |
| BOLT/M 8X60          | 10 25   | BOLT/M8X50         | 41 9    | BOOT                 | 55 24   |
| BOLT/M 8X65          | 4 12    | BOLT/S             | 8 21    | BOOT, CHANGE         | 15 15   |
| BOLT/M 8X80          | 3 13    | BOLT/S             | 10 32   | BOOT/HORN            | 55 13   |
| BOLT/MD6X08/APSET    | 4 10    | BOLT/S             | 15 12   | BOOT/STEERING        | 48 9    |
| BOLT/M10X1.25X20     | 8 7     | BOLT/S             | 37 36   | BOX ASSY             | 72 1    |
| BOLT/M10X100         | 39 5    | BOLT/S             | 39 19   | BRACKET COMP         | 8 11    |
| BOLT/M10X16          | 6 12    | BOLT/S             | 43 9    | BRACKET COMP         | 46 16   |
| BOLT/M10X16          | 56 12   | BOLT/S             | 43 26   | BRACKET/AXLE ASSY    | 32 1    |
| BOLT/M10X20          | 31 8    | BOLT/S             | 52 5    | BRACKET/BATTERY COMP | 6 1     |
| BOLT/M10X30          | 37 5    | BOLT/S             | 72 5    | BRACKET/CLEANER COMP | 3 11    |
| BOLT/M10X30          | 44 16   | BOLT/SEAL          | 5 7     | BRACKET/COUPLER/7P   | 55 25   |
| BOLT/M10X35          | 10 4    | BOLT/SET/M16X60    | 57 2    | BRACKET/FILTER COMP  | 4 21    |
| BOLT/M10X35          | 10 21   | BOLT/SET/M16X60    | 69 3    | BRACKET/GRILLE COMP  | 47 18   |
| BOLT/M10X45          | 39 6    | BOLT/SM/MBX1.25X30 | 34 7    | BRACKET/LAMP         | 53 12   |
| BOLT/M10X55          | 10 10   | BOLT/SP            | 1 20    | BRACKET/LEVER COMP   | 5 13    |
| BOLT/M10X60          | 25 8    | BOLT/SP            | 2 6     | BRACKET/LEVER COMP   | 42 1    |
| BOLT/M10X90          | 23 2    | BOLT/SP            | 3 12    | BRACKET/RADIATO COMP | 1 25    |
| BOLT/M10X90          | 62 3    | BOLT/SP            | 5 2     | BRACKET/REAR COMP    | 31 27   |
| BOLT/M12X25          | 8 9     | BOLT/SP            | 5 9     | BRACKET/REFLECTOR    | 49 9    |
| BOLT/M12X25          | 26 9    | BOLT/SP            | 15 2    | BRACKET/SEAT COMP    | 50 7    |
| BOLT/M12X25          | 33 2    | BOLT/SP            | 23 29   | BRACKET/SEAT/F COMP  | 50 5    |

## Alphabetical Index

1738-097-100-00

| Description           | Fig.Key | Description          | Fig.Key | Description           | Fig.Key |
|-----------------------|---------|----------------------|---------|-----------------------|---------|
| BRACKET/SEAT/R COMP   | 50 1    | CAP, TIRE VALVE      | 67 5    | CLUTCH/DIFFLOCK       | 24 22   |
| BRACKET/STEERING COMP | 31 7    | CAP, TIRE VALVE      | 67 10   | COLLAR                | 55 2    |
| BRACKET/TANK COMP     | 5 8     | CAP/FUEL ASSY        | 5 4     | COLLAR, PINION THRUST | 24 4    |
| BULB                  | 54 12   | CAP/OIL/30           | 50 3    | COLLAR, SHIFTER       | 23 23   |
| BULB/12V/45/40W       | 53 2    | CAP/PARKING          | 46 38   | COLLAR, SHIFTER       | 62 23   |
| BULB/12V/5W           | 53 10   | CAP/SEAL/47          | 37 2    | COLLAR, THRUST        | 12 11   |
| BULB/12V21W           | 53 4    | CAP/SEAL/47          | 37 18   | COLLAR, THRUST        | 24 6    |
| BULB/12V21W           | 53 6    | CAP/STEERING         | 30 2    | COLLAR/21X36X1        | 23 9    |
| BULB/12V5W            | 53 5    | CASE ASSY            | 54 19   | COLLAR/21X36X1        | 62 9    |
| BULB/LAMP/12V/1.7W    | 54 14   | CASE, DIFF           | 24 1    | COLLAR/22X34X2        | 13 3    |
| BUSH                  | 29 37   | CASE, SPRING         | 17 2    | COLLAR/25X32X3        | 12 5    |
| BUSH, LEVER           | 6 3     | CASE, SYLINDER       | 39 1    | COLLAR/25X32X3        | 35 3    |
| BUSH, LEVER           | 46 42   | CASE/DIFF            | 35 8    | COLLAR/26X36X3        | 19 5    |
| BUSH/25X28X25         | 31 17   | CASE/FINAL           | 37 1    | COLLAR/48X52X17       | 35 4    |
| BUSH/25X28X27         | 23 37   | CASE/FINAL           | 37 17   | CONNECTOR             | 1 17    |
| BUSH/25X28X27         | 62 36   | CASE/JOINT/A COMP    | 34 9    | COUPLING/16X27X62     | 8 23    |
| BUSH/35X39X26         | 32 2    | CASE/JOINT/B COMP    | 34 10   | COVER                 | 46 28   |
| BUSH/35X39X30         | 39 3    | CASE/PTO/M/D         | 23 1    | COVER ASSY            | 3 2     |
| BUSH/40X43X30         | 39 2    | CASE/PTO/M/D         | 62 2    | COVER, DUST           | 31 23   |
| BUSH/62X67X30         | 36 6    | CASE/STEERING ASSY   | 31 1    | COVER, DUST           | 38 3    |
| BUSH/COLUMN           | 72 12   | CASE/TRANSMISSION/F  | 10 1    | COVER, PUMP           | 43 12   |
| BUTTON                | 29 26   | CASE/TRANSMISSION/RE | 10 2    | COVER, SIDE           | 72 6    |
| CABLE                 | 33 6    | CHAIN, CHECK RH      | 44 10   | COVER/CHANGE          | 52 14   |
| CABLE                 | 65 6    | CHAIN/CHECK/148 COMP | 44 8    | COVER/CLUTCH/18 COMP  | 8 19    |
| CABLE ASSY            | 54 21   | CLAMP, HARNESS       | 56 23   | COVER/DUSH/F          | 48 1    |
| CABLE/ACCELERATOR     | 7 13    | CLAMP, HARNESS       | 56 27   | COVER/DUSH/R          | 48 2    |
| CABLE/BATTERY ASSY    | 6 9     | CLAMP, HARNESS       | 56 28   | COVER/DUSH/REAR       | 48 13   |
| CABLE/EARTH           | 6 11    | CLAMP/32             | 2 5     | COVER/FUSE            | 56 6    |
| CABLE/HOOD COMP       | 46 3    | CLAMP/WIRE/10-15     | 1 16    | COVER/LH              | 52 16   |
| CABLE/PEDAL ASSY      | 7 2     | CLAMP/WIRE/24-32     | 1 12    | COVER/PLATE           | 23 47   |
| CAM, DIFF-LOCK        | 24 25   | CLAMP/WIRE/24-32     | 43 6    | COVER/PLATE           | 48 10   |
| CAP                   | 1 3     | CLAMP/WIRE/30-38     | 1 9     | COVER/RH              | 52 17   |
| CAP                   | 4 6     | CLAMP/WIRE/36-44     | 1 8     | COVER/SAFETY/LH/F     | 46 43   |
| CAP, BLANK/52         | 23 19   | CLAMP/WIRE/36-44     | 1 13    | COVER/SAFETY/LH/R     | 46 45   |
| CAP, BLANK/52         | 62 21   | CLAMP/WIRE/42-50     | 3 8     | COVER/SAFETY/RH       | 46 46   |
| CAP, OIL ASSY         | 36 2    | CLAMP/WIRE/47-55     | 3 10    | COVER/SHIELD COMP     | 22 1    |
| CAP, PTO SHAFT        | 10 33   | CLEANER/AIR ASSY     | 3 1     | COVER/SIDE/LH COMP    | 46 29   |
| CAP, PTO SHAFT        | 23 28   | CLIP                 | 3 5     | COVER/SIDE/RH COMP    | 46 31   |
| CAP, PTO SHAFT        | 62 27   | CLIP(B)              | 48 19   | COVER/SWITCH          | 55 7    |
| CAP, TIRE VALVE       | 63 5    | CLIP(B)              | 49 17   | COVER/TOP ASSY        | 72 2    |
| CAP, TIRE VALVE       | 63 10   | CLIP(B)              | 52 9    | COVER/WHEEL           | 37 30   |
| CAP, TIRE VALVE       | 64 5    | CLIP/HOSE/11.9-12.6  | 4 16    | CRANK/LIFT            | 40 3    |
| CAP, TIRE VALVE       | 64 10   | CLIP/HOSE/11.9-12.6  | 4 18    | CUM/BRAKE COMP        | 28 9    |
| CAP, TIRE VALVE       | 66 5    | CLIP/HOSE/8.1-8.7    | 4 20    | CUSHION, RUBBER       | 3 15    |
| CAP, TIRE VALVE       | 66 10   | CLUTCH               | 19 4    | DISK/CLUTCH/184 COMP  | 8 20    |

## Alphabetical Index

1738-097-100-00

| Description         | Fig.Key | Description          | Fig.Key | Description          | Fig.Key |
|---------------------|---------|----------------------|---------|----------------------|---------|
| ELEMENT             | 4 9     | GEAR/SPUR/14-33      | 11 12   | HITCH/FRONT SET      | 65 1    |
| ELEMENT ASSY        | 3 3     | GEAR/SPUR/15         | 11 1    | HITCH/DRAWBARSET     | 68 1    |
| ESCUTCHEON          | 54 7    | GEAR/SPUR/15         | 23 13   | HOLDER               | 7 5     |
| FENDER/LH COMP      | 49 1    | GEAR/SPUR/15         | 62 12   | HOLDER, PINION SHAFT | 24 7    |
| FENDER/RH COMP      | 49 5    | GEAR/SPUR/16-34      | 12 6    | HOLDER/15            | 43 27   |
| FILTER/FUEL         | 4 1     | GEAR/SPUR/17-24      | 12 7    | HOLDER/COVER         | 46 37   |
| FILTER/SUCTION COMP | 43 1    | GEAR/SPUR/18-20      | 19 12   | HOLDER/HOOD          | 46 21   |
| FLANGEBOLT          | 23 25   | GEAR/SPUR/19         | 19 10   | HOLDER/JE/9-9        | 1 11    |
| FLANGEBOLT          | 62 25   | GEAR/SPUR/19         | 20 4    | HOLDER/JE/9-9        | 56 22   |
| FLASHER ASSY        | 55 16   | GEAR/SPUR/19-25      | 11 10   | HOLDER/ROD           | 46 20   |
| FORK                | 44 19   | GEAR/SPUR/20         | 14 1    | HOLDER/SHAFT ASSY    | 29 36   |
| FORK/BRACKET COMP   | 44 24   | GEAR/SPUR/20-23      | 13 1    | HOOD COMP            | 46 1    |
| FORK/RELEASE        | 8 12    | GEAR/SPUR/30         | 12 9    | HOOD/LAMP            | 47 8    |
| FORK/SHIFT/1ST      | 18 6    | GEAR/SPUR/32         | 11 11   | HOOD/LH              | 52 11   |
| FORK/SHIFT/2ND      | 18 15   | GEAR/SPUR/33         | 12 10   | HOOD/RH              | 52 12   |
| FORK/SHIFT/DIFFLOCK | 24 23   | GEAR/SPUR/33 COMP    | 19 6    | HOOD/UPPER           | 46 24   |
| FORK/SHIFT/FRONT    | 17 1    | GEAR/SPUR/34         | 23 7    | HOOK                 | 9 6     |
| FORK/SHIFT/SUB      | 18 16   | GEAR/SPUR/34         | 62 7    | HOOK, SPRING         | 39 23   |
| FRAME/LH COMP       | 57 11   | GLASS                | 54 8    | HOOK, TOP LINK       | 44 36   |
| FRAME/LH COMP       | 69 12   | GLIP/YELLOW          | 21 13   | HORN ASSY            | 55 1    |
| FRAME/REAR COMP     | 51 1    | GLIP/YELLOW          | 23 31   | HOSE                 | 1 4     |
| FRAME/RH COMP       | 57 12   | GLIP/YELLOW          | 62 30   | HOSE/03X07X800       | 46 26   |
| FRAME/RH COMP       | 69 13   | GRILLE               | 47 1    | HOSE/08X13X110       | 4 17    |
| FRAME/SF-182 SET    | 69 1    | GRIP                 | 49 14   | HOSE/08X13X300       | 4 15    |
| FRAME/UPPER COMP    | 57 1    | GRIP/03X17X97        | 42 15   | HOSE/170             | 1 14    |
| FRAME/UPPER COMP    | 69 2    | GRIP/12X50           | 15 7    | HOSE/290             | 1 15    |
| FUNNEL ASSY         | 61 1    | GRIP/MAIN            | 16 8    | HOSE/650             | 4 19    |
| FUSE/BLADE/32V10A   | 56 4    | GRIP/ORANGE          | 29 27   | HOSE/70              | 43 5    |
| FUSE/BLADE/32V20A   | 56 5    | GRIP/ORANGE/10.5     | 17 13   | HOSE/CLEANER/OUTLET  | 3 9     |
| FUSE/SLOWBLOW       | 56 3    | GRIP/THROTTLE        | 7 7     | HOSE/RADIATOR/INLET  | 1 7     |
| FUSE/SLOWBLOW/30A   | 56 2    | GROMMET/10X40X03     | 55 29   | HOSE/RADIATOR/OUTLET | 1 10    |
| GASKET              | 2 2     | GROMMET/13X17X5      | 49 19   | HOUSING ASSY         | 54 9    |
| GAUGE/FUEL ASSY     | 5 5     | GROMMET/15           | 49 20   | HOUSING/AXLE         | 36 1    |
| GAUGE/OIL           | 15 19   | GUIDE/CHANGE         | 21 19   | HOUSING/AXLE/LH      | 25 1    |
| GEAR                | 54 4    | GUIDE/PTO/M/D        | 23 40   | HOUSING/AXLE/RH      | 25 2    |
| GEAR PUMP SET       | 43 11   | GUIDE/PTO/M/D        | 62 39   | HOUSING/CLUTCH COMP  | 8 1     |
| GEAR, WHEEL/58      | 26 2    | HANDLE               | 46 4    | HUB/SPACER COMP      | 44 5    |
| GEAR/BEVEL/11       | 37 7    | HANDLE/ADJUST        | 44 21   | INSULATOR            | 1 5     |
| GEAR/BEVEL/12       | 37 22   | HARNES, OIL PRESSURE | 56 17   | INSULATOR            | 1 22    |
| GEAR/BEVEL/14       | 24 5    | HARNES/EARTH         | 56 7    | INSULATOR            | 1 28    |
| GEAR/BEVEL/15       | 35 10   | HARNES/LAMP          | 53 11   | INSULATOR            | 5 12    |
| GEAR/BEVEL/15       | 37 10   | HARNES/MAIN/E4 ASSY  | 56 1    | INSULATOR            | 27 2    |
| GEAR/BEVEL/47       | 37 25   | HARNES/SOCKET ASSY   | 55 28   | INSULATOR            | 29 52   |
| GEAR/SPUR/11/LH     | 24 19   | HEAD/CYLINDER        | 39 11   | INSULATOR            | 45 6    |
| GEAR/SPUR/11/RH     | 24 20   | HITCH/FRONT COMP     | 33 1    | INSULATOR            | 46 2    |

# Alphabetical Index

1738-097-100-00

| Description           | Fig.Key | Description          | Fig.Key | Description          | Fig.Key |
|-----------------------|---------|----------------------|---------|----------------------|---------|
| INSULATOR             | 46 36   | LABEL/RADIATOR       | 60 7    | METAL, DIFF-CASE RH  | 24 15   |
| INSULATOR             | 47 9    | LABEL/ROPS           | 60 13   | METAL/BRAKE          | 28 11   |
| INSULATOR             | 48 14   | LABEL/SPEED          | 60 14   | METAL/INPUT          | 10 24   |
| INSULATOR             | 48 16   | LABEL/SWITCH/MAIN    | 59 9    | METAL/PIVOT/REA ASSY | 36 5    |
| INSULATOR             | 48 17   | LABEL/TRAILER        | 60 8    | METAL/PTO            | 10 30   |
| INSULATOR             | 52 6    | LABEL/W/FAN          | 60 2    | METAL/SHIFT          | 15 1    |
| INSULATOR             | 57 10   | LABEL/W/STARTER      | 60 10   | METER ASSY           | 54 2    |
| INSULATOR             | 68 6    | LABEL/WARNING/BELT   | 60 4    | MIRROR ASSY          | 52 26   |
| INSULATOR             | 69 11   | LABEL/WARNING/HOT    | 60 5    | MUFFLER COMP         | 2 1     |
| INSULATOR/120         | 16 9    | LAMP/COMBINATION SET | 53 3    | NEEDLE               | 71 5    |
| INSULATOR/120         | 42 16   | LAMP/HEAD ASSY       | 53 1    | NET/GURILLE          | 47 5    |
| INSULATOR/30X30X200   | 32 3    | LAMP/NUMBERPLATE SET | 53 9    | NET/SIDE             | 46 33   |
| INSULATOR/36          | 5 10    | LEVER                | 4 2     | NET/SIDE/LH          | 47 10   |
| INSULATOR/380         | 47 3    | LEVER                | 55 11   | NET/SIDE/RH          | 47 11   |
| INSULATOR/550         | 1 23    | LEVER COMP           | 7 6     | NET/WIRE COMP        | 1 2     |
| INSULATOR/75          | 5 11    | LEVER/4WD COMP       | 17 12   | NIPPLE, GREASE       | 29 38   |
| INSULATOR/LH          | 46 30   | LEVER/MAIN COMP      | 15 4    | NIPPLE, GREASE       | 31 21   |
| INSULATOR/RH          | 46 32   | LEVER/PARKING ASSY   | 29 23   | NIPPLE, GREASE       | 31 22   |
| KEY                   | 55 5    | LEVER/POSITION       | 42 13   | NIPPLE, GREASE       | 38 2    |
| KIT/JOINT             | 34 2    | LEVER/PTO COMP       | 21 12   | NIPPLE, GREASE/PT1/8 | 8 3     |
| KNOB                  | 55 12   | LEVER/PTO/MID COMP   | 23 30   | NIPPLE, GREASE/PT1/8 | 9 4     |
| KNOB                  | 55 15   | LEVER/PTO/MID COMP   | 62 29   | NIPPLE, GREASE/PT1/8 | 29 7    |
| LABEL, CONTROL        | 59 3    | LEVER/SUB            | 16 6    | NUT                  | 7 11    |
| LABEL/4WD             | 59 7    | LINING/11X30X02      | 42 6    | NUT                  | 9 3     |
| LABEL/BATTERY         | 60 11   | LINING/11X40X03      | 7 8     | NUT                  | 9 11    |
| LABEL/CAUTION/BATTERY | 60 3    | LINK BRACKET         | 44 37   | NUT                  | 9 19    |
| LABEL/CE              | 58 7    | LINK SHIFT ARM       | 41 22   | NUT                  | 10 5    |
| LABEL/COLUMN/LH       | 59 10   | LINK, CRANK          | 41 12   | NUT                  | 10 11   |
| LABEL/COLUMN/RH       | 59 11   | LINK, TOP LH COMP    | 44 30   | NUT                  | 10 15   |
| LABEL/CONTROL/ADJUST  | 59 8    | LINK/LOWER COMP      | 44 1    | NUT                  | 15 6    |
| LABEL/CONTROL/MAIN    | 59 1    | LINK/SPOOL COMP      | 41 11   | NUT                  | 16 5    |
| LABEL/CONTROL/PARKING | 59 6    | LINK/SUPPORT COMP    | 41 18   | NUT                  | 24 30   |
| LABEL/CONTROL/PTO     | 59 4    | LINK/TOP/RH COMP     | 44 32   | NUT                  | 29 11   |
| LABEL/CONTROL/SUB     | 59 2    | LINKPIN              | 33 5    | NUT                  | 29 22   |
| LABEL/DIFF            | 59 5    | LINKPIN              | 44 3    | NUT                  | 29 32   |
| LABEL/DRAWBAR         | 45 7    | LINKPIN              | 44 35   | NUT                  | 29 53   |
| LABEL/DRAWBAR         | 68 7    | LINKPIN              | 45 5    | NUT                  | 31 3    |
| LABEL/DRIVE           | 60 1    | LINKPIN              | 57 8    | NUT                  | 39 9    |
| LABEL/ETHER           | 60 6    | LINKPIN              | 65 5    | NUT                  | 42 9    |
| LABEL/FUEL            | 60 12   | LINKPIN              | 68 5    | NUT                  | 43 21   |
| LABEL/FUSE/E4         | 56 10   | LINKPIN              | 69 9    | NUT                  | 46 9    |
| LABEL/PTO             | 60 9    | LOCKPLATE            | 29 8    | NUT                  | 46 41   |
| LABEL/PTO/MID         | 58 6    | MAT/FLOOR/LH         | 52 7    | NUT                  | 49 16   |
| LABEL/PTO/MID         | 59 12   | MAT/FLOOR/RH         | 52 8    | NUT                  | 55 21   |
| LABEL/PTO/MID         | 62 46   | METAL, DIFF-CASE LH  | 24 14   | NUT                  | 55 23   |

## Alphabetical Index

1738-097-100-00

| Description        | Fig.Key | Description         | Fig.Key | Description          | Fig.Key |
|--------------------|---------|---------------------|---------|----------------------|---------|
| NUT, LOCK/16       | 44 23   | 0-RING              | 15 11   | PACKING/RUBBER       | 5 6     |
| NUT, RING          | 4 7     | 0-RING G60          | 39 13   | PACKING/RUBBER       | 50 4    |
| NUT, SPEED/P6      | 46 35   | 0-RING HS90 G50     | 43 14   | PAD/120              | 5 3     |
| NUT, SPEED/P6      | 47 7    | 0-RING P6 HS90      | 43 16   | PANEL/INSTRUMEN ASSY | 54 1    |
| NUT, SPEED/P6      | 47 13   | 0-RING P6 HS90      | 71 8    | PEDAL/BRAKE/LH SET   | 29 1    |
| NUT, SPEED/P6      | 48 15   | 0-RING/G115         | 28 12   | PEDAL/BRAKE/RH COMP  | 29 5    |
| NUT, TOP LINK LOCK | 44 33   | 0-RING/G70          | 36 7    | PEDAL/CLUTCH COMP    | 9 1     |
| NUT/M 6            | 6 7     | 0-RING/G90          | 37 4    | PIN                  | 10 29   |
| NUT/M 6            | 23 35   | 0-RING/P 7          | 39 21   | PIN                  | 10 31   |
| NUT/M 6            | 62 34   | 0-RING/P 7          | 41 20   | PIN                  | 15 3    |
| NUT/M 8            | 40 9    | 0-RING/P 9          | 57 9    | PIN                  | 23 4    |
| NUT/M 8            | 44 7    | 0-RING/P 9          | 69 10   | PIN                  | 24 8    |
| NUT/MD8            | 43 20   | 0-RING/P10A         | 4 4     | PIN                  | 24 9    |
| NUT/M10            | 31 11   | 0-RING/P10A         | 18 5    | PIN                  | 25 11   |
| NUT/M10            | 37 38   | 0-RING/P10A         | 18 13   | PIN                  | 37 6    |
| NUT/M10            | 72 14   | 0-RING/P10A         | 24 28   | PIN                  | 37 31   |
| NUT/M10 7T P=1.25  | 8 6     | 0-RING/P10A         | 41 23   | PIN                  | 37 35   |
| NUT/M10 7T P=1.25  | 31 6    | 0-RING/P12          | 39 12   | PIN                  | 39 10   |
| NUT/M10X1.25       | 30 3    | 0-RING/P12          | 39 18   | PIN                  | 54 5    |
| NUT/M10X1.25       | 31 25   | 0-RING/P12          | 71 7    | PIN                  | 62 5    |
| NUT/M10X1.25       | 38 5    | 0-RING/P14          | 17 14   | PIN SPLIT W 6.0X16   | 13 6    |
| NUT/M12            | 10 19   | 0-RING/P14          | 21 7    | PIN, BACK GEAR       | 13 5    |
| NUT/M12            | 22 3    | 0-RING/P14          | 23 24   | PIN, HAIR            | 44 26   |
| NUT/M12            | 27 8    | 0-RING/P14          | 62 24   | PIN, HAIR            | 50 10   |
| NUT/M12            | 29 46   | 0-RING/P16          | 25 13   | PIN, HAIR            | 50 11   |
| NUT/M12            | 44 11   | 0-RING/P18          | 28 10   | PIN, LIFT ARM        | 40 7    |
| NUT/M12            | 70 4    | 0-RING/P18          | 43 32   | PIN, ROD COMP        | 41 5    |
| NUT/M12/LH         | 29 47   | 0-RING/P18          | 57 7    | PIN, SPLIT/1.6X15    | 52 21   |
| NUT/M14            | 53 14   | 0-RING/P18          | 69 8    | PIN, SPLIT/2 X15     | 23 43   |
| NUT/M14            | 57 14   | 0-RING/P20          | 43 8    | PIN, SPLIT/2 X15     | 41 13   |
| NUT/M14            | 69 15   | 0-RING/P20          | 43 25   | PIN, SPLIT/2 X15     | 41 16   |
| NUT/M16            | 57 3    | 0-RING/P22          | 43 15   | PIN, SPLIT/2 X15     | 62 42   |
| NUT/M16            | 69 4    | 0-RING/P44          | 4 8     | PIN, SPLIT/2 X20     | 7 4     |
| NUT/M22            | 55 10   | 0-RING/P55          | 41 2    | PIN, SPLIT/2 X20     | 7 15    |
| NUT/M6             | 48 12   | ORNAMENT/3160       | 58 4    | PIN, SPLIT/2 X20     | 9 8     |
| NUT/M6             | 55 3    | ORNAMENT/I          | 58 3    | PIN, SPLIT/2 X20     | 17 5    |
| NUT/M6             | 21 16   | ORNAMENT/I/STEERING | 58 5    | PIN, SPLIT/2 X20     | 27 5    |
| NUT/M6             | 29 21   | ORNAMENT/ISEKI/LH   | 58 1    | PIN, SPLIT/2 X20     | 29 15   |
| NUT/M6             | 29 33   | ORNAMENT/ISEKI/RH   | 58 2    | PIN, SPLIT/2 X20     | 29 19   |
| NUT/RING           | 55 6    | PACKING             | 1 19    | PIN, SPLIT/2 X20     | 29 35   |
| NUT/SPRING         | 48 3    | PACKING             | 4 11    | PIN, SPLIT/2 X20     | 30 5    |
| NUT/WASHER         | 5 15    | PACKING             | 36 3    | PIN, SPLIT/2 X20     | 46 19   |
| NUT/WASHER         | 33 8    | PACKING, OIL PUMP   | 43 19   | PIN, SPLIT/2.5X20    | 29 50   |
| NUT/WASHER         | 53 8    | PACKING, SIDE COVER | 72 7    | PIN, SPLIT/2.5X20    | 31 26   |
| NUT/WASHER         | 65 8    | PACKING, TOP COVER  | 72 3    | PIN, SPLIT/2.5X20    | 38 6    |

## Alphabetical Index

1738-097-100-00

| Description         | Fig.Key | Description         | Fig.Key | Description         | Fig.Key |
|---------------------|---------|---------------------|---------|---------------------|---------|
| PIN, SPLIT/2. 5X20  | 44 14   | PIN/SUPPORT COMP    | 41 19   | PLUG/SCREW/SEAL     | 62 26   |
| PIN, SPLIT/2. 5X25  | 7 12    | PINION/BEVEL SET    | 12 1    | PLUG/SCREW/SEAL     | 71 6    |
| PIN, SPLIT/2. 5X25  | 21 4    | PINION/BEVEL SET    | 35 1    | PROTECTOR/040       | 46 48   |
| PIN, SPLIT/2. 5X25  | 31 15   | PINION/BEVEL/11     | 35 9    | PTO/M/D SET         | 62 1    |
| PIN, SPLIT/3 X15    | 9 14    | PINION/BEVEL/12     | 24 3    | PUMP GEAR ASSY      | 43 10   |
| PIN, SPLIT/3 X20    | 8 14    | PIPE/123            | 26 3    | RABEL/FUSE/SLOWBLOW | 56 8    |
| PIN, SPLIT/4 X25    | 44 28   | PIPE/63             | 19 7    | RADIATOR ASSY       | 1 1     |
| PIN, SPRING 3X32    | 39 22   | PIPE/CLEANER        | 3 7     | REFLECTOR ASSY      | 49 11   |
| PIN, SPRING/5 X20 W | 17 9    | PIPE/DELIVERY/FRONT | 43 23   | RIM/WHEEL/600IX10   | 67 2    |
| PIN, SPRING/5 X20 W | 42 12   | PIPE/DELIVERY/REAR  | 43 29   | RIM/WHEEL/600IX10   | 67 7    |
| PIN, SPRING/5 X25 W | 21 11   | PIPE/SUC/FRONT COMP | 43 7    | RING, BACKUP        | 41 3    |
| PIN, SPRING/5 X25 W | 35 12   | PIPE/SUCTION/REAR   | 43 2    | RING, SNAP/14 C     | 18 14   |
| PIN, SPRING/5 X32 W | 17 16   | PISTON              | 41 1    | RING, SNAP/20C      | 11 9    |
| PIN, SPRING/5 X32 W | 44 22   | PLATE               | 42 5    | RING, SNAP/20C      | 19 15   |
| PIN, SPRING/6 X25 W | 23 45   | PLATE/BATTERY       | 6 6     | RING, SNAP/20C      | 20 7    |
| PIN, SPRING/6 X25 W | 62 44   | PLATE/BUMPER        | 70 1    | RING, SNAP/22 C     | 13 4    |
| PIN, SPRING/6 X28 W | 8 24    | PLATE/FRICTION      | 28 3    | RING, SNAP/22 C     | 29 3    |
| PIN, SPRING/6 X40 W | 23 10   | PLATE/FRICTION      | 28 7    | RING, SNAP/22 C     | 29 56   |
| PIN, SPRING/6 X40 W | 62 10   | PLATE/GUIDE         | 15 17   | RING, SNAP/25       | 12 4    |
| PIN, TAPER/8X50     | 29 2    | PLATE/HITCH COMP    | 45 1    | RING, SNAP/25 C     | 11 6    |
| PIN, TAPER/8X50     | 29 42   | PLATE/I/30X50       | 23 26   | RING, SNAP/25 C     | 19 9    |
| PIN, TOP LINK       | 44 34   | PLATE/I/30X50       | 62 47   | RING, SNAP/25 C     | 23 12   |
| PIN, YOKE A         | 29 13   | PLATE/I/38X60       | 46 22   | RING, SNAP/25 C     | 23 39   |
| PIN, YOKE A         | 29 17   | PLATE/L/28X28       | 29 58   | RING, SNAP/25 C     | 31 19   |
| PIN/08X19           | 29 34   | PLATE/L/38X114      | 57 15   | RING, SNAP/25 C     | 35 5    |
| PIN/10X154          | 50 8    | PLATE/L/38X114      | 69 16   | RING, SNAP/25 C     | 37 29   |
| PIN/10X25           | 29 48   | PLATE/LOCK COMP     | 46 14   | RING, SNAP/25 C     | 62 15   |
| PIN/10X32           | 44 13   | PLATE/PARKING/A     | 29 43   | RING, SNAP/25 C     | 62 38   |
| PIN/12X75           | 8 13    | PLATE/PARKING/B     | 29 44   | RING, SNAP/28 C     | 15 10   |
| PIN/12X75           | 35 11   | PLATE/PRESSURE/LH   | 28 1    | RING, SNAP/30 C     | 26 7    |
| PIN/15X42 COMP      | 31 13   | PLATE/PRESSURE/RH   | 28 5    | RING, SNAP/35 C     | 37 15   |
| PIN/16X44           | 44 27   | PLATE/SEPARATER     | 28 2    | RING, SNAP/35 C     | 40 6    |
| PIN/16X63           | 44 25   | PLATE/SEPARATER     | 28 6    | RING, SNAP/47 C     | 37 3    |
| PIN/20X51           | 23 6    | PLATE/STOP COMP     | 52 18   | RING, SNAP/47 C     | 37 19   |
| PIN/20X51           | 62 6    | PLUG                | 1 18    | RING, SNAP/52 C     | 12 13   |
| PIN/20X58           | 57 6    | PLUG                | 71 4    | RING, SNAP/52 C     | 19 3    |
| PIN/20X58           | 69 7    | PLUG, DRAIN         | 10 22   | RING, SNAP/52 C     | 23 17   |
| PIN/22X404          | 44 4    | PLUG, DRAIN         | 25 12   | RING, SNAP/52 C     | 35 7    |
| PIN/30X120 COMP     | 33 4    | PLUG, OIL/PT1/4     | 72 18   | RING, SNAP/52 C     | 62 18   |
| PIN/30X120 COMP     | 65 4    | PLUG/7P             | 55 27   | RING/E              | 54 3    |
| PIN/30X162 COMP     | 45 4    | PLUG/SCREW          | 32 4    | RING/O              | 16 2    |
| PIN/30X162 COMP     | 68 4    | PLUG/SCREW/SEAL     | 8 4     | RING/O              | 36 4    |
| PIN/5X17            | 41 15   | PLUG/SCREW/SEAL     | 23 5    | RING/O              | 43 3    |
| PIN/ADJUST          | 39 20   | PLUG/SCREW/SEAL     | 37 20   | RING/SNAP           | 26 8    |
| PIN/SLITTED         | 24 26   | PLUG/SCREW/SEAL     | 43 24   | RING/SNAP           | 34 3    |

## Alphabetical Index

1738-097-100-00

| Description           | Fig.Key | Description         | Fig.Key | Description          | Fig.Key |
|-----------------------|---------|---------------------|---------|----------------------|---------|
| RING/SNAP             | 35 15   | SEAL, OIL/TC20357   | 11 2    | SPRING, SHIFTER      | 23 22   |
| RING/SNAP             | 35 16   | SEAL, OIL/TC20357   | 14 5    | SPRING, SHIFTER      | 62 14   |
| RING/SNAP             | 37 9    | SEAL, OIL/TC35528   | 23 18   | SPRING, TENSION/121  | 27 6    |
| RING/SNAP             | 37 16   | SEAL, OIL/TC35528   | 62 20   | SPRING, TENSION/31   | 41 10   |
| RING/SNAP             | 40 5    | SEAL, OIL/TC35558   | 20 8    | SPRING, TENSION/53   | 7 1     |
| RIVET                 | 52 10   | SEAL, OIL/VC35506   | 40 2    | SPRING, TENSION/53   | 42 10   |
| ROD                   | 29 24   | SEAL/QLNY35571116   | 37 26   | SPRING, VALVE        | 4 3     |
| ROD                   | 41 4    | SHACKLE             | 44 12   | SPRING/HCO23         | 18 7    |
| ROD, CLUTCH (A)       | 9 9     | SHAFT               | 37 21   | SPRING/HCO23         | 18 17   |
| ROD/115 COMP          | 29 29   | SHAFT               | 37 42   | SPRING/HCO24         | 21 14   |
| ROD/193               | 27 3    | SHAFT               | 37 43   | SPRING/HCO24         | 23 33   |
| ROD/355 COMP          | 29 20   | SHAFT, CROSS        | 72 8    | SPRING/HCO24         | 62 32   |
| ROD/70 COMP           | 29 30   | SHAFT, DIFF. PINION | 24 2    | SPRING/HCO60         | 15 14   |
| ROD/CLUTCH/B          | 9 12    | SHAFT/4WD ASSY      | 34 1    | SPRING/HCO94         | 9 5     |
| ROD/DRAG ASSY         | 31 20   | SHAFT/BRAKE SET     | 29 41   | SPRING/HCO50         | 8 16    |
| ROD/HOOD              | 46 17   | SHAFT/CHANGE        | 11 7    | SPRING/HE089         | 46 10   |
| ROD/LIFT/LH COMP      | 44 17   | SHAFT/DRIVE/PTO     | 19 1    | SPRING/HE106         | 29 4    |
| ROD/LIFT/RH COMP      | 44 18   | SHAFT/FRONT COMP    | 14 2    | SPRING/HE106         | 29 6    |
| ROD/M12X66            | 29 45   | SHAFT/INPUT         | 8 22    | SPRING/HE110         | 29 57   |
| ROD/STEERING COMP     | 31 12   | SHAFT/LIFT          | 40 1    | SPRING/HOOD          | 46 11   |
| ROD/TIE/589 ASSY      | 38 1    | SHAFT/PTO           | 20 1    | SPRING/WASHER        | 42 7    |
| ROD/TIE/M/D           | 23 41   | SHAFT/PTO/M/D       | 23 11   | STAY COMP            | 52 3    |
| ROD/TIE/M/D           | 62 40   | SHAFT/PTO/M/D       | 62 11   | STAY, SHIFTER        | 17 8    |
| RUBBER, CUSHION       | 29 51   | SHAFT/WHEEL         | 26 1    | STAY, SHIFTER        | 24 24   |
| RUBBER, CUSHION       | 46 12   | SHAFT/WHEEL         | 37 24   | STAY/INSULATOR       | 48 18   |
| RUBBER, CUSHION       | 50 12   | SHIFTER/PTO         | 21 1    | STAY/PLATE           | 44 15   |
| S. W                  | 43 18   | SHIM DIFF-CASE A    | 24 16   | STAY/PTO/PARKIN COMP | 21 17   |
| SCREW                 | 44 20   | SHIM DIFF-CASE B    | 24 17   | STAY/SHIF/1ST        | 18 1    |
| SCREW                 | 54 17   | SHIM TOP COVER      | 72 4    | STAY/SHIF/2ND        | 18 9    |
| SCREW                 | 54 20   | SHIM/T=0.7          | 15 21   | STAY/SHIF/PTO        | 21 5    |
| SCREW, SEMS           | 49 15   | SHROUD COMP         | 1 21    | STEERING/2/380 ASSY  | 30 1    |
| SCREW/4X16            | 54 18   | SLEEVE              | 8 15    | STEP/LH COMP         | 52 1    |
| SCREW/BALL ASSY       | 72 9    | SLEEVE              | 20 2    | STEP/RH COMP         | 52 2    |
| SCREW/MBX16           | 46 25   | SLEEVE              | 23 15   | STOPPER/CRANK COMP   | 40 10   |
| SCREW/SP              | 48 8    | SLEEVE              | 62 19   | SUBCONCOVER          | 39 17   |
| SCREW/SP              | 48 11   | SOCKET              | 54 13   | SWITCH ASSY          | 55 9    |
| SCREW/SP              | 49 10   | SOCKET              | 54 15   | SWITCH, STOP         | 55 20   |
| SCREW/TAPPING         | 54 11   | SPRING              | 29 25   | SWITCH/HAZARD ASSY   | 55 8    |
| SEAL, OIL             | 37 12   | SPRING              | 44 2    | SWITCH/MAIN ASSY     | 55 4    |
| SEAL, OIL             | 43 13   | SPRING              | 71 2    | SWITCH/PUSH SET      | 55 22   |
| SEAL, OIL/21          | 35 6    | SPRING              | 71 3    | SWITCH/ROTARY/2 ASSY | 55 14   |
| SEAL, OIL/MISA19368   | 72 13   | SPRING, PRESS/22    | 7 9     | TANK/FUEL COMP       | 5 1     |
| SEAL, OIL/MISA26388   | 72 17   | SPRING, PRESS/40    | 24 27   | TAPE/10X20           | 49 13   |
| SEAL, OIL/QLF488011.5 | 26 4    | SPRING, SHIFTER     | 17 3    | TIRE                 | 64 3    |
| SEAL, OIL/TC20357     | 8 2     | SPRING, SHIFTER     | 21 2    | TIRE                 | 64 8    |



# Alphabetical Index

1738-097-100-00

| Description            | Fig.Key | Description     | Fig.Key | Description      | Fig.Key |
|------------------------|---------|-----------------|---------|------------------|---------|
| TIRE                   | 66 3    | WASHER          | 47 15   | WASHER, SP/M10   | 2 4     |
| TIRE                   | 66 8    | WASHER          | 54 6    | WASHER, SP/M10   | 6 14    |
| TIRE, F. TURF212-80-15 | 63 3    | WASHER / M16    | 44 29   | WASHER, SP/M10   | 8 8     |
| TIRE, F. TURF212-80-15 | 63 8    | WASHER / M16    | 57 5    | WASHER, SP/M10   | 10 6    |
| TIRE/8-16-4/LH ASSY    | 64 1    | WASHER / M16    | 69 6    | WASHER, SP/M10   | 10 12   |
| TIRE/8-16-4/RH ASSY    | 64 6    | WASHER / M6     | 6 8     | WASHER, SP/M10   | 10 16   |
| TIRE/FRONT/LH ASSY     | 66 1    | WASHER / M6     | 7 3     | WASHER, SP/M10   | 23 3    |
| TIRE/FRONT/RH ASSY     | 66 6    | WASHER / M6     | 7 14    | WASHER, SP/M10   | 24 31   |
| TIRE/TURF              | 67 3    | WASHER / M6     | 9 7     | WASHER, SP/M10   | 25 9    |
| TIRE/TURF              | 67 8    | WASHER / M6     | 29 40   | WASHER, SP/M10   | 31 10   |
| TIRE/TURF/LH ASSY      | 63 1    | WASHER / M6     | 41 14   | WASHER, SP/M10   | 31 24   |
| TIRE/TURF/LH ASSY      | 67 1    | WASHER / M6     | 46 18   | WASHER, SP/M10   | 32 6    |
| TIRE/TURF/RH ASSY      | 63 6    | WASHER / M6     | 48 5    | WASHER, SP/M10   | 37 39   |
| TIRE/TURF/RH ASSY      | 67 6    | WASHER /M12     | 25 7    | WASHER, SP/M10   | 38 4    |
| TOOL/FUSE              | 56 9    | WASHER /M12     | 27 9    | WASHER, SP/M10   | 39 8    |
| TRIM/130               | 1 27    | WASHER /M12     | 44 40   | WASHER, SP/M10   | 56 14   |
| TRIM/265               | 47 2    | WASHER /M12     | 51 5    | WASHER, SP/M10   | 62 4    |
| TRIM/290               | 52 15   | WASHER, PL/M 4  | 49 12   | WASHER, SP/M12   | 8 10    |
| TRIM/70                | 47 4    | WASHER, PL/M 8  | 4 14    | WASHER, SP/M12   | 10 20   |
| TRIM/715               | 52 22   | WASHER, PL/M 8  | 9 13    | WASHER, SP/M12   | 22 2    |
| TUBE                   | 63 4    | WASHER, PL/M 8  | 10 28   | WASHER, SP/M12   | 25 6    |
| TUBE                   | 63 9    | WASHER, PL/M 8  | 17 7    | WASHER, SP/M12   | 26 10   |
| TUBE                   | 67 4    | WASHER, PL/M 8  | 18 4    | WASHER, SP/M12   | 33 3    |
| TUBE                   | 67 9    | WASHER, PL/M 8  | 18 12   | WASHER, SP/M12   | 36 9    |
| TUBE/ 8-16             | 64 4    | WASHER, PL/M 8  | 23 42   | WASHER, SP/M12   | 37 41   |
| TUBE/ 8-16             | 64 9    | WASHER, PL/M 8  | 27 4    | WASHER, SP/M12   | 39 16   |
| TUBE/10X12X50          | 23 32   | WASHER, PL/M 8  | 29 14   | WASHER, SP/M12   | 44 39   |
| TUBE/10X12X50          | 62 31   | WASHER, PL/M 8  | 29 18   | WASHER, SP/M12   | 45 3    |
| TUBE/SHIFT/MAIN COMP   | 15 8    | WASHER, PL/M 8  | 34 13   | WASHER, SP/M12   | 51 2    |
| TUBE/TIRE              | 66 4    | WASHER, PL/M 8  | 46 8    | WASHER, SP/M12   | 65 3    |
| TUBE/TIRE              | 66 9    | WASHER, PL/M 8  | 46 40   | WASHER, SP/M12   | 68 3    |
| TURNBUCKLE             | 9 10    | WASHER, PL/M 8  | 49 18   | WASHER, SP/M12   | 70 3    |
| TURNBUCKLE 12 COMP     | 44 9    | WASHER, PL/M 8  | 62 41   | WASHER, SP/M14   | 53 13   |
| TURNBUCKLE/M6          | 29 31   | WASHER, PL/M14  | 31 14   | WASHER, SP/M14   | 57 13   |
| TURNBUCKLE COMP        | 44 31   | WASHER, SEAL/16 | 10 23   | WASHER, SP/M14   | 69 14   |
| U-NUT                  | 29 9    | WASHER, SP/M 6  | 29 39   | WASHER, SP/M16   | 57 4    |
| VALVE                  | 3 4     | WASHER, SP/M 8  | 3 14    | WASHER, SP/M16   | 69 5    |
| VALVE SET              | 71 1    | WASHER, SP/M 8  | 4 13    | WASHER, SP/M20   | 31 4    |
| VALVE CONTROL ASSY     | 41 8    | WASHER, SP/M 8  | 10 27   | WASHER/12X25X02  | 46 5    |
| VALVE/RELIEF ASSY      | 71 9    | WASHER, SP/M 8  | 18 3    | WASHER/15X24X2   | 17 15   |
| VIS                    | 4 5     | WASHER, SP/M 8  | 18 11   | WASHER/15X24X2   | 21 8    |
| WASHER                 | 7 10    | WASHER, SP/M 8  | 24 11   | WASHER/20X28X2   | 20 6    |
| WASHER                 | 41 17   | WASHER, SP/M 8  | 34 8    | WASHER/20X32X02  | 19 14   |
| WASHER                 | 46 6    | WASHER, SP/M 8  | 42 3    | WASHER/24X9X3. 2 | 48 7    |
| WASHER                 | 47 14   | WASHER, SP/M 8  | 43 22   | WASHER/24X9X3. 2 | 49 3    |

## Alphabetical Index

1738-097-100-00

| Description          | Fig.Key | Description | Fig.Key | Description | Fig.Key |
|----------------------|---------|-------------|---------|-------------|---------|
| WASHER/24X9X3. 2     | 49 7    |             |         |             |         |
| WASHER/25X34X02      | 23 38   |             |         |             |         |
| WASHER/25X34X02      | 62 37   |             |         |             |         |
| WASHER/26X35X02      | 31 18   |             |         |             |         |
| WASHER/6X14X3        | 46 34   |             |         |             |         |
| WASHER/6X14X3        | 47 6    |             |         |             |         |
| WASHER/6X14X3        | 47 12   |             |         |             |         |
| WASHER/6X24X2        | 47 20   |             |         |             |         |
| WASHER/6X24X2        | 52 19   |             |         |             |         |
| WASHER/M10           | 6 13    |             |         |             |         |
| WASHER/M10           | 10 7    |             |         |             |         |
| WASHER/M10           | 10 13   |             |         |             |         |
| WASHER/M10           | 10 17   |             |         |             |         |
| WASHER/M10           | 25 10   |             |         |             |         |
| WASHER/M10           | 29 49   |             |         |             |         |
| WASHER/M10           | 30 4    |             |         |             |         |
| WASHER/M10           | 39 7    |             |         |             |         |
| WASHER/M10           | 41 7    |             |         |             |         |
| WASHER/M10           | 42 8    |             |         |             |         |
| WASHER/M10           | 50 9    |             |         |             |         |
| WASHER/M10           | 56 13   |             |         |             |         |
| WHEEL/12X3. 00D COMP | 66 2    |             |         |             |         |
| WHEEL/12X3. 00D COMP | 66 7    |             |         |             |         |
| WHEEL/15X7JA COMP    | 63 2    |             |         |             |         |
| WHEEL/15X7JA COMP    | 63 7    |             |         |             |         |
| WHEEL/16X5JA COMP    | 64 2    |             |         |             |         |
| WHEEL/16X5JA COMP    | 64 7    |             |         |             |         |
| YOKE COMP            | 29 16   |             |         |             |         |
| YOKE, LH             | 29 12   |             |         |             |         |
| YOKE/CLAMP           | 34 4    |             |         |             |         |
| YOKE/SHAFT           | 34 5    |             |         |             |         |
| YOKE/SLEEVE          | 34 6    |             |         |             |         |
|                      |         |             |         |             |         |
|                      |         |             |         |             |         |
|                      |         |             |         |             |         |