



# Grillo

AGRIGARDEN MACHINES



02372-16

## **CLIMBER 9.18 - 9.22**

**OPERATOR'S MANUAL  
MANUALE DELL'OPERATORE  
MANUAL DE INSTRUCCIONES**

**SUMMARY**

Safety rules	
Instructions:	5
Warnings	5
Identification and servicing	6
Technical specifications	7
Putting the machine into service	8
Instructions for use	8
Maintenance and lubrication	9
Illustrations	38
EC Declaration of conformity - Noise and vibrations levels	44

**INDICE**

Norme antinfortunistiche	
Istruzioni:	16
Avvertenze	16
Identificazione e assistenza	17
Caratteristiche tecniche	18
Messa in opera della macchina	19
Istruzioni d'uso	19
Manutenzione e lubrificazione	20
Figure	38
Certificato di conformità CE - Rumorosità e livelli di vibrazione	44

**ÍNDICE**

Normas de seguridad	
Instrucciones:	27
Advertencias	27
Identificación y asistencia	28
Características técnicas	29
Puesta en servicio de la máquina	30
Instrucciones de uso	30
Mantenimiento y lubricación	32
Índice de ilustraciones	38
Certificado de conformidad CE - Niveles de ruido y vibración	44



**OPEN MANUAL**- means that you must read the operator's manual very carefully.

**MANUALE APERTO** - significa che dovete leggere attentamente il manuale di uso e manutenzione.

**MANUEL OUVERT** – signifie qu'il faut lire avec attention le présent manuel.

**OFFENES HANDBUCH** – bedeutet, dass Sie die Gebrauchs- und Wartungsanleitung aufmerksam durchlesen müssen.

**MANUAL ABIERTO** – es decir que hay que leer muy atentamente el manual del operador.



**CAUTION!** - means that you have to pay particular attention to the operation you have to carry out, in particular if there is the indication "DANGER".

**ATTENZIONE!** - significa che dovete porre particolare attenzione all'operazione che dovete effettuare, in particolare se vi è anche l'indicazione di "Pericolo".

**ATTENTION!** - signifie qu'il faut faire particulière attention dans l'opération que vous allez faire, en particulier s'il y a aussi l'indication "DANGER".

**VORSICHT!** - bedeutet, dass Sie besondere Aufmerksamkeit beim Durchführen des Vorgangs haben müssen, insbesondere wenn auch der Hinweis "GEFAHR" aufgeführt ist.

**ATENCIÓN!** - es decir que hay que poner mayor atención en la operación a ejecutar si, en particular cuando hay también la indicación "Peligro".



**INTERDICTION, YOU MUST NOT DO THAT!** - means that it is absolutely forbidden to carry out the operations reported under this symbol because they could lead to mortal danger.

**DIVIETO, NON FARE!** - significa che non dovete assolutamente fare le operazioni riportate sotto questo simbolo, potrebbe comportare un pericolo mortale.

**INTERDICTION, NE PAS FAIRE!** - signifie qu'il est absolument interdit d'effectuer les opérations reportées sous cette indication, car elles pourraient conduire au danger de mort.

**VERBOT, strengstens untersagt!** - bedeutet, dass der Vorgang unter diesem Symbol absolut nicht durchgeführt werden darf, da er zur einer lebensgefährlichen Situation führen könnte.

**PROHIBICIÓN, NO LO HAGAN!** - es decir que no hay que hacer absolutamente las operaciones bajo este símbolo, podría comportar un peligro mortal.



**NOTE**, you have to pay particular attention to the note put next to this symbol

**NOTA**, dovete porre particolare attenzione alla nota posta accanto a questo simbolo.

**NOTE**, il faut faire attention particulière à la note mise à côté de ce symbole.

**ANMERKUNG**, besondere Aufmerksamkeit muss auf die Anmerkungen neben diesem Symbol gelenkt werden.

**NOTA**, hay que poner atención particular en la nota puesta a lado de este símbolo.



You must not repair nor lubricate the machine with moving parts or with the engine put on.

**Non riparare o lubrificare la macchina con organi in movimento o motore acceso**

**Ne pas réparer ou lubrifier la machine avec des parties en mouvement ou à moteur en marche.**

**Niemals bei bewegenden Objekten oder bei laufendem Motor Reparationen oder Einschmierungen durchführen.**

**No reparar ni lubricar la máquina con órganos en movimiento o motor en marcha.**



You must not smoke, light matches or lift flames, trigger frames nor cause sparks.

**Vietato fumare, accendere fiammiferi o fiamme, lasciare fiamme libere o creare scintille.**

**Il est interdit de fumer, allumer des allumettes ou du feu, laisser des flammes libres ou de causer des étincelles.**

**Es ist untersagt zu Rauchen, Streichhölzer oder Feuer anzuzünden, Flammen auslösen oder Funken verursachen.**

**Prohibido fumar, encender cerillas o fuego, dejar llamas o crear chispas.**



**Use personal protective equipment.**

**Utilizzare mezzi di protezione individuali.**

**Utilisez l'équipement de protection individuelle.**

**Individuelle Schutzausrüstung benutzen.**

**Utilizar dispositivos de protección individual.**



Take special care not to touch hot parts of the engine.

*Prestate particolare attenzione a non entrare in contatto con parti surriscaldate del motore.*

Veiller tout particulièrement à ne pas toucher des éléments surchauffés du moteur.

*Achtung – keine heißen Motorteile berühren!*

No tocar partes recalentadas del motor.

*Tome muito cuidado para não entrar em contacto com as partes aquecidas do motor*



Engine exhaust fumes can cause sickness or death. If it is necessary to run an engine in an enclosed area, use an exhaust pipe extension to remove the fumes. Always try to work in a well ventilated area.

*I gas di scarico possono causare malanni o morte. Se è necessario mettere in moto un motore in uno spazio chiuso, usare una prolunga tubo di scarico per far uscire il fumo. Lavorare in una zona ben ventilata.*

L'exhalation des gaz d'échappement peut être cause d'intoxication ou de mort. S'il est vraiment nécessaire d'allumer le moteur à l'intérieur, appliquer au tuyau d'échappement un autre tuyau extensible pour permettre la sortie des gaz. Il est toujours mieux de travailler en plein air.

*Auspuffgase können Übelkeit oder Tod verursachen. Wenn es notwendig ist, einen Motor in einem geschlossenen Raum laufen zu lassen, benützen Sie eine Verlängerung, um das Auspuffgas abzuleiten. Versuchen Sie immer in einem gut belüfteten Raum zu arbeiten.*

Los gases de escape pueden provocar enfermedades o muerte. De tener que poner en marcha un motor en un espacio cerrado, usar una prolongación del tubo de escape para que salga el humo. Trabajar en una zona bien ventilada.

*Os gases de escape podem causar danos ou morte. Caso seja necessário fazer com que o motor funcione num espaço fechado, utilize uma extensão para o tubo de escape que os fumos sejam expulso para o exterior. Trabalhe numa área bem ventilada.*



Caution! Never touch moving pulleys or belts. They can be very dangerous. Never do maintenance with engine running.

*Attenzione! Non toccare mai pulegge o cinghie in movimento, creano gravi danni alla persona. Non fare manutenzione col motore in moto.*

Attention! Ne jamais toucher ni poulies ni courroies en mouvement, elles peuvent provoquer des accidents aux personnes. Ne pas faire l'entretien quand le moteur est en marche.

*Vorsicht! Nie laufende Riemenscheiben oder Treibriemen anfassen, da es gefährlich ist. Nie bei laufendem Motor Instandhaltung machen.*

¡Atención! No tocar jamás poleas o correas en movimiento, porque pueden crear graves daños a la persona. No efectuar el mantenimiento con el motor en marcha.

*Atenção! Nunca toque nas polias ou correias em movimento devido ao alto risco de ferimentos. Nunca faça a manutenção da máquina com o motor ligado.*



A burst which separates the tyre from the rim parts can cause serious injury or death.

*La separazione fra pneumatico e cerchione, causata dall'esplosione del pneumatico, può provocare serie ferite o addirittura la morte.*

La séparation entre le pneu et la jante, provoquée par l'explosion d'une roue peut causer des dommages, blessures ou la mort.

*Die Trennung der Räder von den Felgen durch Explosion kann schwere Verletzungen oder den Tod verursachen.*

La separación entre el neumático y la llanta producida por la explosión del neumático puede provocar graves herida e incluso la muerte.

*A separação entre o pneumático e o aro, provocada pela explosão do pneumático, pode causar graves ferimentos ou até mesmo a morte.*

 	<p>Prevent battery explosions: keep sparks, lighted matches and open flames away from the top of the battery. Battery gas can explode.</p> <p><i>Per prevenire l'esplosione della batteria, tenete scintille, fiammiferi accesi e fiamme lontani dalla stessa. Il gas della batteria può esplodere.</i></p> <p>Prévenir l'explosion de la batterie: tenir les étincelles, les allumettes et le feu loin de la batterie. Le gaz de la batterie peut exploser.</p> <p><i>Vorbeugung der Batterie-Explosion. Entfernen Sie Funken, Zündhölzer und Flammen von der Batterie. Das Batteriegas kann explodieren.</i></p> <p>Para prevenir la explosión de la batería, mantener chispas, cerillas encendidas y llamas lejos de la misma. El gas de la batería puede explotar.</p> <p><i>Para prevenir explosão da bateria ter centelhas, fósforos acendido e chamas longe da mesma. O gás da bateria poderia explodir.</i></p>
 	<p>Handle fuel with care, it is highly flammable: Do not refuel machine while smoking, when machine is near an open flame or sparks, or when the engine is running. Stop the engine.</p> <p><i>Maneggiare il carburante con cura, è altamente infiammabile; non fate rifornimento mentre fumate, o vicino a fiamme o scintille, o quando il motore è acceso.</i></p> <p>Manier avec soin le carburant car c'est très inflammable. Ne pas remplir le réservoir si vous êtes en train de fumer ou pendant que la machine est près du feu ou d'étincelles ou encore pendant que la machine travaille. Arrêter le moteur.</p> <p><i>Treibstoff vorsichtig handhaben, da er sehr entzündbar ist: beim Tanken nicht rauchen. Nicht tanken, wenn die Maschine in der Nähe von Flammen oder Funken ist oder wenn der Motor läuft. Immer den Motor abschalten.</i></p> <p>Manejar el combustible con cuidado porque es sumamente inflamable; no repostar mientras se fuma o cerca de llamas o chispas, o cuando el motor está encendido.</p> <p><i>Manuseie o carburante com cuidado, pois este é altamente inflamável; não fume durante o abastecimento da máquina ou enquanto o motor estiver ligado, não o aproximado de chama ou de faíscas.</i></p>
 	<p>Rotating blades are dangerous. Protect children and prevent accidents.</p> <p><i>Le lame in movimento sono pericolose. Proteggete i bambini e prevenite gli incidenti.</i></p> <p>Les lames en rotation sont dangereuses. Protéger les enfants et prévenir les accidents.</p> <p><i>Arbeitende Messer sind gefährlich, Kinder schützen und Unfälle vorbeugen.</i></p> <p>Las cuchillas en movimiento son peligrosas, proteger a los niños y prevenir los accidentes.</p> <p><i>As facas em movimento são perigosas. Proteger as crianças e prevenir acidentes.</i></p>
 	<p>Sulphuric acid in battery electrolyte is poisonous. It is strong enough to burn skin, eat holes in clothing and cause blindness if it gets in contact with the eyes.</p> <p><i>L'acido solforico della batteria è velenoso. È in grado di causare bruciature alla pelle, bucare vestiti e causare cecità se arriva negli occhi.</i></p> <p>L'acide sulfurique de la batterie est toxique. Il peut causer des brûlures à la peau, endommager les vêtements et peut aussi causer cécité.</p> <p><i>Säure der Batterie ist giftig. Sie kann die Haut verbrennen, Löcher in die Kleidung machen und Blindheit verursachen.</i></p> <p>El ácido sulfúrico de la batería es venenoso, puede provocar quemaduras en la piel, agujar la ropa y provocar ceguera si llega a los ojos.</p> <p><i>O acido sulfúrico é tóxico. Pode ser causa de queimadura da pele, furar roupa e provocar cegueira, no caso chegarem em contacto com os olhos.</i></p>
 	<p>Avoid tipping. Do not drive where machine could slip or tip. Stay alert for holes and other hidden objects.</p> <p><i>Evitate le scivolote. Non guidate dove la macchina potrebbe scivolare o inclinarsi. Attenzione a buche o ad oggetti nascosti.</i></p> <p>Éviter les pentes. Ne pas conduire la machine où elle pourrait glisser ou se renverser. Faire attention aux trous ou à tout autre obstacle caché.</p> <p><i>Nicht dort fahren, wo die Maschine rutschen könnte. Vorsicht bei Löchern oder versteckten Gegenständen.</i></p> <p><i>Evitar patinazos. No conducir donde la máquina pueda patinar o inclinarse. Cuidado con los baches o con objetos escondidos.</i></p> <p>Evitar deslizamentos. Não dirija em lugares onde a máquina poderia deslizar. Ter cuidado a buracos e objetos escondidos.</p>



DANGER! Machine roll-over: Do not use this machine on slopes greater than 20° (36%).

**PERICOLO!** Ribaltamento della macchina. Non usare questa macchina su pendii superiori ai 20° (36%).

DANGER! Renversement de la machine. Ne pas utiliser cette machine sur des pentes supérieures à 20° (36%).

**GEFAHR!** Umstürzen der Maschine. Die Maschine nicht an Hängen mit einer Neigung über 20° (36%) einsetzen.

¡PELIGRO! Volcado de la máquina. No utilizar esta máquina en pendientes superiores a 20° (36%).

**PERIGO!** Revirado da máquina. Não use essa máquina em inclinações além de 20° (36%).



**WARNING!** SHARP PARTS. Keep hands and feet away. Do not operate the mower over gravel or foreign bodies which may be sucked up and ejected by the blades, generating a danger. Keep people away. Remove the key and read the instruction manual before attempting to carry out any maintenance or repairs to the machine.

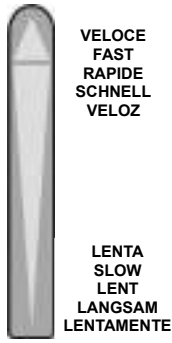
**ATTENZIONE!** ORGANO TAGLIENTE. Tenere lontano mani e piedi. Non lavorare col rasaerba sopra alla ghiaia o corpi estranei che possono essere aspirati e centrifugati dalle lame risultando molto pericolosi, tenere lontano le persone. Togliere la chiave e leggere le istruzioni prima di effettuare qualsiasi operazione di manutenzione e riparazione.

**ATTENTION!** ORGANE TRANCHANT. Éloigner les mains et les pieds. Ne pas utiliser la tondeuse sur le gravier ou sur des corps qui peuvent être aspirés et centrifugés par les lames et devenir très dangereux. Les personnes doivent se trouver à une certaine distance. Enlever la clé et lire les instructions avant toute opération de maintenance et de réparation.

**ACHTUNG!** SCHARFE KLINGEN. Hände und Füße fernhalten. Beim Mähen nicht über Schotter, Steine oder andere Fremdkörper fahren, da diese durch die Drehbewegung der Messer angesaugt und weggeschleudert werden können (Verletzungsgefahr). Nicht in der Nähe von anderen Personen mähen. Vor jedem Wartungs- bzw. Reparaturingriff den Startschlüssel abziehen und die Gebrauchsanleitung durchlesen.

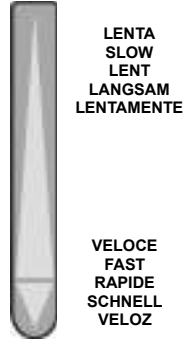
¡PELIGRO! ÓRGANO CORTANTE. Mantener alejados los pies y las manos. No limpiar la herramienta con el motor en marcha. ¡Peligro! Expulsión de objetos: mantener alejadas a las personas. Atención: quitar la llave y leer las instrucciones antes de efectuar cualquier operación de mantenimiento o reparación.

**ATENÇÃO!** Órgão cortante. Ficar longe com pés e mãos. Não trabalhar com a máquina sobre cascalho ou objetos que podem ser aspirados e centrifugados gerando perigo, manter-se longe das pessoas. Tirar a chave de ignição e ler as instruções antes de efetuar qualquer operação de reparo ou serviço.



VELOCE  
FAST  
RAPIDE  
SCHNELL  
VELOZ

LENTA  
SLOW  
LENT  
LANGSAM  
LENTAMENTE



LENTA  
SLOW  
LENT  
LANGSAM  
LENTAMENTE

VELOCE  
FAST  
RAPIDE  
SCHNELL  
VELOZ



ALTEZZA DI TAGLIO  
CUTTING HEIGHT  
HAUTEUR DE COUPE  
SCHNITTHÖHE  
ALTURA DE CORTE



INSERIMENTO LAMA  
BLADE ENGAGEMENT  
ENCLICHEMENT LAME  
MESSERANSCHALTUNG  
CONEXIÓN DE CUCHILLA



STOP  
STOP  
ARRÊTE  
STOP  
PARADO



DIFFERENTIAL LOCK  
BLOCC. DIFFERENZIALE  
BLOCAGE DIFFERENTIEL  
DIFFERENTIALSPERRE  
BLOQUEO DIFERENCIAL

BRAKE



ACCELERATORE  
THROTTLE  
ACCELERATEUR  
GASHEBEL  
ACCELERATOR



RPM-PTO  
ENGAGE



AVVIAMENTO A FREDDO  
CHOKE START  
DEMARRAGE A FROID  
KALTSTART  
ARRANQUE EN FRIO



PARCHEGGIO  
PARKING  
STATIONNEMENT  
PARKIERBREMSE  
STACIONAMIENTO



INSERIMENTO PTO  
PTO ENGAGEMENT  
CONNECTION PRISE DE FORCE  
ZAPFWELLE EINSCHALTUNG  
CONEXIÓN TOMA DE FUERZA

CAUTION, DANGER!  
ATTENZIONE, PERICOLO!  
ATTENTION, DANGER!  
VORSICHT, GEFAHR!  
¡ATENCIÓN, PELIGRO!



# HYDROSTATIC RIDE-ON BRUSH CUTTER

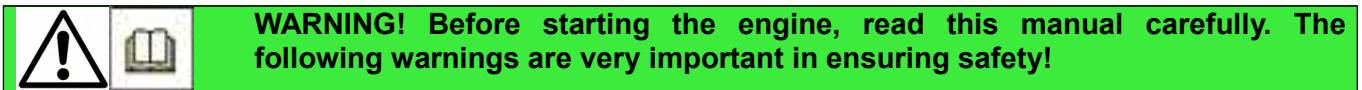
## GRILLO CLIMBER 9.18 – 9.22

Dear Customer,

Thank you for choosing our GRILLO 9.18 – 9.22. We hope that this new ride - on brush cutter will perfectly meet your requirements. For best use and maintenance over time, please carefully read and follow the instructions given in this manual. This will enable you to get top results from your brush cutter and will prevent avoidable expense. Please look after this manual which should always be kept with the machine.

### GENERAL DESCRIPTION AND INTENDED USE

The Grillo machine Climber 9.18 – 9.22 is a brush-cutter with operator on board, designed for the cut of grass, on slopes also.



### WARNINGS

Caution is the best tool for accident prevention. You are urged to read the following instructions for use of the grass-cutter before starting work. Incorrect use of the mower and its equipment may cause damage.

To reduce this risk, follow the precautions given below:

- 1) Read the whole of this before turning on and using the grass-cutter, before starting any work at all.
- 2) Pay particular attention to the warnings and safety labels set out around the grass-cutter.
- 3) Blades rotation is highly dangerous: never put hands or feet under mower.
- 4) Before allowing others to use the grass-cutter, inform them of the safety rules and carefully instruct them on how to use the machine.
- 5) Do not mow when children or others are around (**minimum distance 15 metres**).
- 6) Before backing up, look down and behind the machine carefully to make sure people, especially children, or obstacle are not around.
- 7) **Before starting work, put on suitable working clothes, gloves, strong shoes and protective glasses.**
- 8) **Wear a suitable protective device such as earplugs.**
- 9) Before mowing, clear area of objects such as stones, sticks or other that may be thrown by blade and become a danger.
- 10) If you hit an object, stop the machine: disengage the blade, turn off the engine, remove the ignition key and inspect the brush-cutter. If the machine vibrates, have it repaired.
- 11) Before getting off the mower, turn off the engine, turn off the PTO, remove the ignition key and lower the cutter deck in the lowest position.
- 12) Always drive slowly along uneven paths.
- 13) Keep the speed down when driving down slopes.
- 14) Always turn slowly when driving downhill.
- 15) The user is always liable for any damage caused to third parties.
- 16) Deformed or damaged blades must always be replaced, never just repaired.
- 17) Always use original GRILLO spare parts and accessories.
- 18) Only operate during daylight or with good artificial light.
- 19) Only store fuel in suitable containers designed for the purpose.
- 20) Be very careful when working close to a road.
- 21) Allow engine to cool before storing in closed environments.
- 22) Do not operate machine if you are tired or under the influence of drugs or alcohol.
- 23) Do not allow any fuel spillage and after filling the tank wipe away any spilled fuel before starting the engine.
- 24) Do not tamper with the safety devices or disable them.
- 25) Do not change the engine settings, especially the maximum number of revs.
- 26) Do not rest heavy loads on the seat, the starter safety device could become disengaged.
- 27) Never attempt any adjustments or cleaning with the engine running.



28) Never allow anyone to check the machine while you are seated at the controls with the engine running.

### IMPROPER USE TO BE AVOIDED

29) Do not allow passengers to ride on the machine.

30) Do not allow under-age children to operate it; use is prohibited to children under 16 years old.

31) Do not operate the grass-cutter near to ditches or verges which could collapse under the weight of the machine, especially when the surface is loose or wet.

32) Replace worn or damaged exhausts.

### FURTHER SAFETY ADVICE

The above mentioned warnings could not be enough to avoid any risk, if the operator does not use the present grass-cutter correctly. Therefore, for your safety we give you following advices:

33) The blade is very dangerous when rotating, **never put hands or feet underneath the cutter deck.**

34) Do not drive in reverse at high speed.

35) It is dangerous to operate the steering wheel abruptly with the engine at full power.

36) Fill the tank with fuel before starting the engine. Only refuel outdoors, always turn off the engine, keep away from sparks or naked flames, do not smoke! Always replace the cap on the fuel tank and those on fuel containers properly.

37) If the fuel tank has to be emptied, only do so outdoors.

38) Do not operate the grass-cutter over gravel which could become sucked up and drawn into the blade, becoming very dangerous.

39) At the presence of children, hide the ignition key after using the machine.

40) **CAUTION:** to avoid the risk of fire, keep the engine compartment, exhaust, discharge outlets, battery, tank area and fuel pipes free from grass, leaves, dirt etc.

41) Never store the machine with fuel in the tank inside a building where fumes may reach an open flame or spark.

42) Disengage the cutter deck transmission, turn off the engine and disconnect the spark plugs:

a) **before cleaning obstructed points.**

b) **before checking or repairing the brush cutter.**

c) **when the machine hits a foreign body (check the cutter deck to see if it is damaged).**

d) **if abnormal vibration occurs, stop and inspect the machine. Contact the nearest authorized service centre if you need help.**

## IDENTIFICATION AND SERVICING



Climber 9.18 – 9.22 has a label under the dashboard indicating the machine's serial no.

### TECHNICAL ASSISTANCE

This manual provides instructions for use and basic maintenance of the brush cutter by the user. For operations that are not described in this manual, contact your Area Dealer.

### SPARE PARTS

Only use original spare parts. These are the only parts that ensure safety and interchangeability. Always quote the machine's serial number and the code number of the part to be replaced when ordering spare parts. For engine parts, follow the indications given in the specific manual.

### WARRANTY

The guarantee is given in compliance with the current law. The dealer will have to give the client a copy of the registration certificate of the machine, which they will print up from the Grillo website.

For the engine the guarantee of the relative manufacturers apply.

## RECOMMENDED LIST OF SPARE PARTS TO BE KEPT IN STORE

2 x cutting blades  
2 x blade screws  
2 x blade screw nuts  
1 x set of belts  
1 x air filter for engine  
1 x oil filter for engine

## TECHNICAL SPECIFICATIONS

**ENGINE:** - **9.18** B&S INTEK 7180 OHV 656 cm<sup>3</sup> 18 HP gross power – 15,2 HP net power, twin-cylinder, internal combustion.

- **9.22** B&S INTEK 7220 PROFESSIONAL SERIES 22 HP gross power – 18 HP net power 656 cm<sup>3</sup>, OHV, twin-cylinder, internal combustion.

**STARTING SYSTEM:** electric with 12V battery.

**GEARBOX:** hydrostatic transmission.

**DIFFERENTIAL:** with lock device.

**CLUTCH:** electromagnetic with P.T.O and with blade brake.

**GROUND SPEED:** from 0 to 10 km/h with continuous variation and reverse from 0 to 6 km/h.

**TYRES front:** 13×5.00-6 **rear:** 17×8.00-8

**BRAKE:** front emergency brake and rear parking brake.

**OPERATOR SEAT:** adjustable comfort seat with armrests.

**CUTTING DECK:** rear/side discharge.

**CUTTING SYSTEM:** rotating with 1 blade.

**CUTTING WIDTH:** 910 mm (±36")

**CUTTING HEIGHT:** from 30 to 90 mm (from ± 1.2" to ± 3.5") with 4 different cutting positions and 1 transfer position.

**WORK CAPACITY:** approx. 7200 m<sup>2</sup>/h (± 1.7 acres per hour)

**STEERING RADIUS:** 380 mm (±14.9")

**FUEL TANK:** 13 litres      **RESERVE:** 3 litres

**ATTACHMENTS:** turf wheels set, mulching kit for 91 cm (±36") cutting deck, ball for tow bar.

**SIZES:** Length > 1800 mm (± 71") – Width > 990 mm (± 38.9") – Height > 1070 mm (± 42.1")

**WEIGHT:** 307 kg (± 675 lb)

## PUTTING THE MACHINE INTO SERVICE

- 1) Check that the machine has not been damaged in transit.
- 2) Check the oil levels of the engine, hydrostatic transmission and final drive.
- 3) Check the tyre pressure:
  - 1 BAR front wheels 13×50/6
  - 1.5 BAR rear wheels 17×8.00-8
- 4) Check the battery voltage; it must be at least 12,5 Volts. If necessary, charge the battery with a battery charger set at 12 volts on slow charge for 2 hours. **IMPORTANT!** During assembly take care not to reverse the polarity of the battery.

### BATTERY – CAUTION!

The gases released by the battery are explosive, keep it away from open flames or sparks. Check the liquid level periodically and keep the terminals lubricated with appropriate grease.

### RUNNING IN – CAUTION!!

Change the engine oil and filter after the first 20 working hours. Check that there are no oil leaks or loosen screws, especially those which fix the blade, the steering and the wheels. Adjust the tension of the hydrostatic transmission belts (fig. 16).

## INSTRUCTIONS FOR USE

### BEFORE STARTING UP THE ENGINE

Before starting up the engine, always check that:

- the engine oil level is correct (fig. 2)
- the oil in the hydraulic engine is at the correct level (fig. 3)
- the forward level is in neutral position (fig. 1B, no. 2)
- the engine cooling intake grids are clean (fig. 5)
- air filter is clean (fig. 6 - fig. 6A)
- the cutter deck is clean
- the hydraulic engine fins are clean (fig. 7)
- the blades are sharp and firmly fastened in place
- the screw in the centre of the blade hub is safely tightened (fig. 1C, no.3)

Fill the fuel tank using a funnel with very fine filter (fig. 1A, no. 4).

### STARTING THE ENGINE

- Push the throttle half way in (fig. 1B, no.5).
- If the engine is cold, use the choke (fig. 1B, no.6). Turn the ignition key on the dashboard (fig.1, no. 7).
- Once the engine has started, turn off the choke and wait for a few minutes to allow the engine to warm up.
- To switch off the engine put the ignition key in the STOP position (fig.1, no. 7).

**Important:** When moving the mower from one place to another, keep the cutter deck at the maximum height setting.

### STARTING WORK

- Choose the desired cutting height using the lever (fig. 1D, no. 8). Suitably accelerate the engine and engage the PTO lever (fig. 1, no. 1). Gently operate the forward lever (fig. 1B, no. 2) and start work. To stop, return the forward lever to the stop position. The forward lever can be returned to the stop position by pushing the brake pedal too (fig. 23, no. 1).
- The lever (fig. 1B, no. 2) is also used to reverse. When it is moved back, the machine moves backwards – always operate it gently. Releasing the lever, this turns back automatically to the neutral position.

## FRONT BRAKE

The front brake (fig. 23, no. 1) must be used only as emergency brake on slopes to avoid the sliding of the machine. When it is used together with the differential lock, it makes the machine very steady on slopes. The forward lever is normally used to slow down and to brake.

## PARKING BRAKE

To engage the parking brake, please press the lever upwards and lock it to the proper seal retainer (fig. 23, no. 2). In this position, if the forward lever is engaged, a warning buzzer warns that the parking brake is engaged. To adjust the parking brake, use the castellated nut (fig. 22).

## CUTTING POSITIONS

To adjust the cutting height use the lever (fig. 1D, no. 8). The deck can be set in 4 different cutting positions from 30 to 90 mm and one travel position in which the blade disengages automatically (fig. 1D). To engage the blade again use the button (fig. 1, no. 1). In case of uneven ground, humps or dips, the deck should be kept in the highest cutting position to prevent knocks by the blade.

## SLOPING GROUND

If possible, steep slopes must be mown in the up/down direction, taking great care when turning that the wheels upstream do not strike obstacles (stones, branches, roots, etc.) which might cause the machine to tip, or lead to loss of control. If the drive wheels lose adherence, engage the differential lock (fig. 8). Study mowing area. **Set up a safe mowing pattern. Do not mow where traction or stability is doubtful since the machine might slip.** Downhill, set off at low speed and do not pass over dry or cut grass since the wheels lose grip.

## HOUR METER

The machine is equipped with the an hour meter (fig. 1, n. 8) with three different functions:

- 1) It always shows the no. of hours worked, even when the key is not inserted.
- 2) It displays the no. of hours to the next engine oil change (OIL CHANGE IN...HS). The first oil change must be carried out after the first 20 working hours than every 100 working hours. The indicator "OIL CHANGE" flashes automatically when it is necessary to change the oil.
- 3) It displays the no. of hours to the next lubrication (LUBE IN...HS). Lubrication must be carried out every 40 working hours. The indicator "LUBE" flashes automatically when lubrication must be carried out.

By pushing the white button you can choose the function to be displayed on the hour meter.

- 4) To reset the hour meter after the engine oil change or after lubrication proceed as follows:

Push the button until the relative alarm will flash (OIL CHANGE IN...HS or LUBE IN...HS). Then keep the button pushed for 6 seconds until the alarm stops flashing.

## INTERVENTION OF SAFETY DEVICES

Remember that the engine will stop whenever the operator gets up from the seat.

The engine will not start up if:

- The blade is engaged.
- Nobody is sitting in the driver's seat.
- If the forward lever is not in neutral position.

## USEFUL RULES FOR EFFICIENT USE

- 1) Never strain the engine: when fumes are emitted from the exhaust it means that it is being strained. Slow down.
  - 2) Do not leave the machine out in the rain.
  - 3) If the machine heats up on the first day at work, stop it and allow it to cool down: it needs to rest.
  - 4) Frequently sharpen the cutting blades: the cut will be better and the engine will not be strained that much.
  - 5) Check the area before mowing to make sure that there are no stones, sticks or foreign bodies.
  - 6) Keep the engine at peak r.p.m. during mowing, adjust the speed according to the height of the grass.
- Keep the grids above the engine and the cooling fins of the hydraulic motor (fig. 5 – 7) clean.**

## MAINTENANCE AND LUBRICATION

### CAUTION!

- Disconnect the plugs before performing any cleaning, maintenance or repair operation. Always wear suitable clothing and working gloves.
- When the machine or part of it is lifted to carry out maintenance operations, always remember to use suitable fixing tools such as holders and safety locks.
- When carrying out maintenance operations and/or when the machine is tilted without safety locks or supports, never leave it unattended where inexperienced people and children could have easy access to it.
- Protect the environment: carefully dispose of used oils, petrol and any other pollutant product!
- Effective maintenance and correct lubrication help to keep the machine fully efficient.

### ENGINE

For the lubrication intervals, follow the instructions provided in the engine handbook; **the oil must in any case be changed after the first 20 working hours and then every 100 hours**, using SAE 30 engine oil. To remove the oil unscrew the tap (fig. 20B). Change the oil filter (fig. 10).

### WHEEL DRIVE GEARBOX

Check the oil level every 100 hours by unscrewing the cap (fig. 11, ref. A); if necessary top up with 80W90 (API GL-5) gearbox oil. To drain the oil, unscrew the cap (fig. 11, ref. B). Change the oil every 1000 hours. Quantity 1,9 Lt. (fill through the tap fig. 11A).

### HYDRAULIC MOTOR

Check the level in the expansion tank when the motor is cold. It should come up to the level notch (fig. 3). If necessary add 15W50 or 20W50 oil. Change the oil every 200 working hours. To drain the oil, unscrew the cap (fig. 4) and pour into the tank. Keep the fins and coil of the hydraulic motor thoroughly cleaned (fig. 3A – fig. 7). Quantity: 1 litre.

### AIR FILTER

Check the air filter every 4 hours, or more frequently if working in a very dusty environment (fig. 6 – fig. 6A). Check the air intake grid for engine cooling (fig. 5). The external and internal grids must always be kept clean to avoid blocking the air flow needed for the engine cooling. Keep the engine compartment, the hydrostatic transmission and the intake grid clean.

### CUTTER DECK AND BLADES

A blunt blade tears the grass, leaving it unattractive. The cutting edges of both blades must be sharpened. To remove a blade, take hold of it firmly, wearing work gloves, and unscrew the central screw, remembering that the screw has a right-hand thread (fig. 1C, no. 3). Sharpen both cutting edges using a medium-grain grinding wheel and check that the blade is balanced by standing it on a round bar inserted in the central hole. Fit the two cutting blades following the diagram (fig. 13).

### CAUTION!

Firmly tighten the fixing screw (fig. 1C, no. 3). Always replace damaged or crooked blades: Never attempt to repair them! When fitting, always follow the diagram (fig. 13). **ALWAYS USE ORIGINAL BLADES!** If they are worn they can be turned round since they have two cutting edges.

### CUTTER DECK

Levelness of the cutting deck is essential in order to obtain an evenly mown lawn. Park the mower on a flat surface and check that the tyre pressure is correct. Adjust the right and the left adjustment devices so that the edge of the cutting deck is at the same distance from the floor that is 170 mm (fig. 24) on both sides with the operator sitting on board (fig. 14 – 14A) and with the mower deck in the highest cutting position. If you are unable to level off the deck, contact an authorised service centre.

### **ENGINE BELT - CUTTING DECK BELT**

The engine – blade belt is self-adjusting. Therefore no adjustment is required. Simply check the spring tension (fig. 15). If the belt becomes twisted or comes off, check the parameters below, keeping the cutter deck in the highest position (“transfer” position):

- 1) 170 mm from the edge of the deck to the ground (fig. 24).
- 2) 170 mm from the rear edge of the deck to the ground (fig. 24).
- 3) Adjust the registers (fig. 14 – 14A).
- 4) Take care when positioning the belt guides; move them towards the belt, checking the cutter deck at the various height settings (fig. 12, ref. A). Check that during operation the belt is always in the centre of the stretcher (fig. 15, ref. A). The stretcher has to stick about 5/8 mm out of the frame (fig. 25).

### **ENGINE – HYDROSTATIC TRANSMISSION BELT**

Whenever there is a change in belt length (causing therefore its malfunctioning), the tension can be regulated by means of the adjustment device (fig. 16). Take care not to compress the spring beneath the unit completely; belts must be neither too tight nor loosen. The spring must be kept set at 44 mm and it is indicated by the red arrow (fig. 16)

### **BLADE ROTATION**

Rotation is started and stopped using the switch (no. 1, fig. 1). When rotation is engaged the engine must be running at medium rpm (see label on the throttle lever) and the machine must be outside the area to be cut. Never start the blades with the engine at maximum rpm. The machine is equipped with an electromagnetic clutch which also brakes the blade during disengagement. The blades are also disengaged automatically when the cutting height adjuster lever is moved to the highest position.

**CAUTION:** for safety reasons if the operator pushes down the height adjustment lever from the highest position with the PTO button engaged (fig. 1, no. 1), the blades do not start automatically. To start the blade the PTO button must be switched off and switched on again (fig. 1, no. 1). The blade must stop within 5 seconds when the PTO button is switched off and when the operator leaves the driver's seat. If this is not the case, adjust the 3 nuts of the electromagnetic clutch, placing a 0.3 mm feeler gauge under the brake plate. **IMPORTANT: This operation must be carried out by an authorized after-sales service center.**

### **CHANGING THE BELTS**

The movement is transmitted from the motor to the hydraulic transmission and to the blades by means of two v-belts. **Replace the belts as soon as they show signs of wear!** Their replacement and subsequent adjustment are fairly complex procedures and must be carried out by an Authorised After-Sales Service Centre. For the cutter deck – engine belt, the belt guides of the deck pulley have to be removed; release the belt stretcher spring (fig. 15, ref. B). For the two transmission and hydraulic engine belts proceeds as follows:

- remove the rear and top grids
- undo the belt stretcher nut (fig. 16)

**ALWAYS USE ORIGINAL BELTS!**

### **TRACTION RELEASE LEVER**

The traction release device is located behind the seat; in case of emergency, to allow it to be towed or moved by hand, move the lever outward (fig. 20A). In the position shown (fig. 20B) the machine is in working condition. Check that during working the hydraulic engine piston does not remain pressed down; if necessary, adjust the nut (fig. 21).

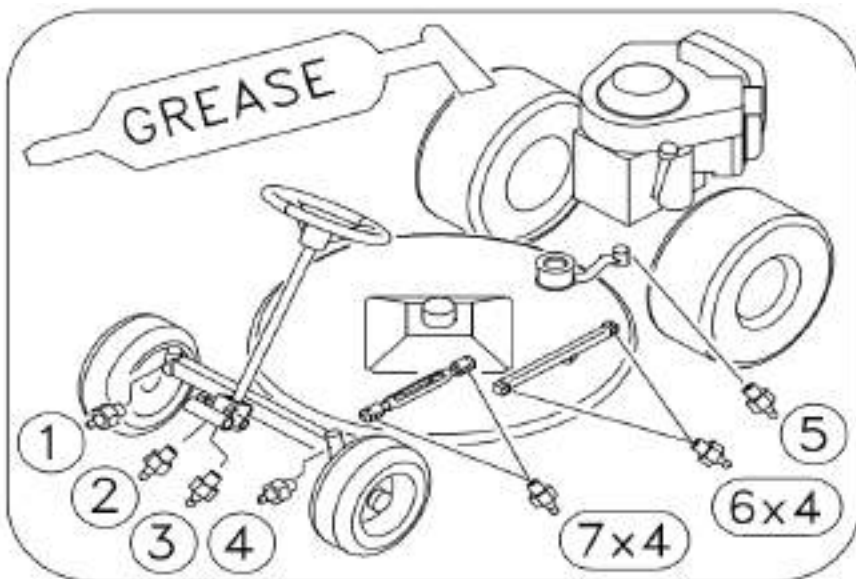
### **DIFFERENTIAL LOCK ADJUSTMENT**

The differential lock has to be activated when the pedal is half way of its travel (fig. 8). To adjust the activation point of the differential lock use the screw (fig. 9).

MAINTENACE SUMMARY TABLE						
PROCEDURE	EVERY 8 HOURS	AFTER 20 HOURS	EVERY 40 HOURS	EVERY 50 HOURS	EVERY 100 HOURS	EVERY 200 HOURS
Engine oil	check the level	•				
	change		•		•	
Air filter	check	•				
	replace				*	
Spark plug	check/adjust				•	
	replace					•
Hydraulic engine oil	check level		•	•		
	replace					•
Check that the engine intake grid is clean		•				
Check that engine cooling fins and cylinders are clean					•	
Gearbox oil	check the level		•		•	
	replace					*
Check that blades are well-sharpened and well-fixed				•		
Lubricate with grease				•		

- recommended procedure
- \* procedure to be carried out if necessary

**LUBRICATION POINTS WITH GREASE**



**TROUBLE-SHOOTING**

PROBLEM

CAUSE	REMEDY
Dashboard OFF with key in "AVV." (ON) pos.	
<ul style="list-style-type: none"> <li>- Battery not supplying power</li> </ul>	<ul style="list-style-type: none"> <li>- Check connecting cables</li> <li>- Check electrolyte level</li> <li>- Recharge battery</li> <li>- Change the fuse</li> </ul>
Dashboard ON, but starter motor does not turn over with key in "AVV" (ON) pos.	
<ul style="list-style-type: none"> <li>- Battery not supplying enough power</li> <li>- Start-up go-ahead not given</li> </ul>	<ul style="list-style-type: none"> <li>- Recharge battery</li> <li>- Travel lever in stop position</li> <li>- Disengage blades</li> <li>- Sit in the driver's seat</li> </ul>
Difficult starting or irregular running of engine	
<ul style="list-style-type: none"> <li>- Carburettor problems</li> <li>- Deposits or dirt in fuel</li> </ul>	<ul style="list-style-type: none"> <li>- Clean or change the air filter</li> <li>- Adjust the carburettor (follow engine manual instructions)</li> <li>- Empty the tank and use fresh petrol</li> <li>- Check and change the petrol filter if necessary</li> </ul>
Starter motor turns over but engine does not start	
<ul style="list-style-type: none"> <li>- No petrol flow</li> <li>- Fault in ignition system</li> </ul>	<ul style="list-style-type: none"> <li>- Check that the choke has been activated (if engine is cold)</li> <li>- Check petrol level in tank</li> <li>- Check wiring of carburettor opening control</li> <li>- Check petrol filter (and change if necessary)</li> <li>- Check that the vent on the tank cap is not blocked</li> <li>- Check that the caps of the spark plugs are correctly fastened</li> <li>- Check that the electrodes are clean and at the correct distance apart.</li> </ul>
Drop in engine performance during cutting	
<ul style="list-style-type: none"> <li>- Speed too high for cutting height</li> </ul>	<ul style="list-style-type: none"> <li>- Reduce speed</li> </ul>



When the blades are engaged the engine cuts out

- Go-ahead not given for blade engaging
- Check the blade-engaging microswitch
- Sit in the driver's seat

---

#### Uneven cutting

- Cutting deck not parallel to ground
- Blades fault
- Check tyre pressure
- Level off the deck
- Check that the blades are correctly mounted
- Sharpen or change the blades
- Check the tension of the cutting deck engine belt

---

#### Vibrations during operation

- Blades unbalanced
- Fastenings are loose
- Balance blades or replace if damaged
- Check and fasten the blade fixing screws as well as the fixing screws of the engine and chassis.

---

#### Incorrect P.T.O. engagement

- When PTO button is pressed, The blade does not engage
- Check the battery voltage, it must be at least 12,5 volts
- Check the levelness of the blade brake and the electromagnetic clutch, 0,3 mm

---

### ELECTRICAL SYSTEM

The electrical system is protected by a fuse which cuts out the entire electrical system if blown. **After finding and repairing the fault**, replace the fuse with another of the same rating. **Never replace the fuse with one of a different rating.** The electrical system fuses are underneath the tank (fig. 19). If the problems persist after all the procedures described above have been carried out, contact the Authorised After-Sales Service Centre. Never attempt to make difficult repairs unless you have the necessary equipment and technical expertise.

### ELECTRONIC CONTROL UNIT

Inside the steering column there is an electronic control unit (fig. 19) that controls all the electric functions of the machine (e.g. PTO, safety micro-switches).

### IMPORTANT!

- Take care not to reverse the battery polarity.
- Never operate the mower without the battery, since it is equipped with a charge regulator.
- Take care not to cause short-circuits.

### THE MACHINE DOES NOT REMAIN IN NEUTRAL

Adjust the zero turn device by tightening or loosening it (fig. 17). to adjust the forward and reverse travel speeds, use the screws (fig. 18).

### **END OF WORK**

After mowing, disengage the blades and drive back to base with the cutter deck in the highest position. To stop, move the forward lever to the STOP position (fig. 1B, no. 2), set the throttle lever at the minimum r.p.m., switch off the engine by turning the key on the STOP position (fig. 1, no.7) and lower the deck to the lowest position. Lock the park brake (fig. 23, no. 2).

### **CLEANING**

Clean the outside of the mower after each use.

### **STORAGE AND PROLONGED PERIODS OF DISUSE**

Store the brush cutter in a dry place, away from atmospheric agents, and preferably cover with a sheet. If the mower is not going to be used for a long period (over 1 month), disconnect the red battery cable (fig. 23) and follow the instructions given in the engine manual. Also lubricate all of the articulated joints. Regularly check that the battery voltage does not drop below 12 volts. If it does, recharge the battery. If the machine is to be out of use for more than 30 days, drain the fuel from the engine to prevent sticky deposits from forming in the fuel intake system or in vital parts of carburettor. To avoid this procedure, it is possible to save fuel in storage up to 12 months by using an appropriate fuel stabilizer. Add such additive to the fuel in the tank or in the fuel container. Run the engine for a while to let the stabilizer get into the fuel system. **Caution:** if the engine is fed with petrol containing alcohol, drain the fuel tank and run the engine until there is no fuel left.

### **TRANSPORTING THE MACHINE**

If the machine has to be transported on a lorry or a trailer, fasten it to the vehicle using suitable ropes or cables.

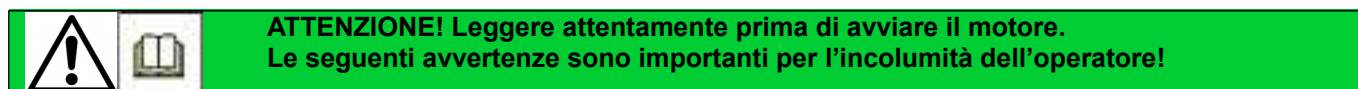
# TRINCIAERBA IDROSTATICO

## GRILLO CLIMBER 9.18 - 9.22

Gentile Cliente,  
nel ringraziarla per la fiducia e la preferenza accordata al nostro Grillo CLIMBER 9.18 – 9.22, confidiamo che l'uso di questa sua nuova macchina risponda pienamente alle sue esigenze. Per l'impiego ottimale e per la sua manutenzione nel tempo, la preghiamo di leggere attentamente e seguire scrupolosamente le indicazioni di questo libretto; ciò le consentirà di ottenere i massimi risultati e salvaguardare la sua spesa. Le consigliamo di conservare questo libretto, che dovrà sempre accompagnare la macchina.

### DESCRIZIONE GENERALE E USO PREVISTO

La macchina Grillo Climber 9.18 - 9.22 è un trinciaerba con operatore a bordo, progettato per il taglio dell'erba, anche in pendenza.



La prudenza è l'arma principale nella prevenzione degli incidenti. La preghiamo vivamente di leggere con attenzione le seguenti avvertenze nell'uso del trinciaerba, prima ancora di iniziare il lavoro. L'uso improprio del trinciaerba e il suo equipaggiamento possono risultare pericolosi. Per ridurre queste possibilità osservare le precauzioni necessarie di seguito riportate:

1. Leggere questo manuale interamente, prima di accendere e mettere in movimento il trinciaerba.
2. Dare particolare attenzione alle ammonizioni e alle etichette di sicurezza attorno al trinciaerba.
3. La rotazione della lama del trinciaerba è altamente pericolosa, non mettere mai le mani o i piedi sotto al piatto rasaerba.
4. Prima di fare lavorare con la macchina altre persone bisogna metterle al corrente delle norme di sicurezza e di come si usa.
5. Prima di iniziare il lavoro, verificare che non ci siano persone attorno, specialmente bambini **(osservare una distanza minima di 15 metri)**.
6. Prima di partire con la macchina a marcia indietro controllare che non ci siano persone od ostacoli.
7. **Prima di iniziare il lavoro, indossare indumenti appropriati da lavoro, guanti, scarponi, occhiali.**
8. **Indossare appropriate protezioni acustiche (cuffie).**
9. Controllare il terreno prima di procedere alla rasatura. Assicurarsi che non vi siano sassi, bastoni o corpi estranei che potrebbero essere scagliati lontano e quindi risultare molto pericolosi.
10. Se si urta un corpo estraneo, disinnestare la lama, fermare il motore, togliere la chiave di avviamento e ispezionare il trinciaerba; se la macchina vibra, farla riparare.
11. Prima di scendere dal trinciaerba, spegnere il motore, disinserire la PTO, rimuovere la chiave d'avviamento e abbassare il piatto tosaerba nella posizione più bassa.
12. Sui viali sconnessi viaggiare a bassa velocità.
13. Sulle pendenze, in discesa moderare la velocità.
14. In discesa, curvare sempre lentamente.
15. L'utilizzatore è sempre responsabile dei danni arrecati a terzi.
16. I coltelli deformati o danneggiati devono essere sempre sostituiti, mai riparati.
17. Usare sempre ricambi ed accessori originali GRILLO.
18. Lavorare solo con la luce del sole o con buona luce artificiale.
19. Immagazzinare il carburante in contenitori specificatamente costruiti per questo scopo.
20. Fare attenzione quando si lavora vicino ad una strada.
21. Far raffreddare il motore prima di mettere la macchina in locali chiusi.
22. Non usare la macchina quando si è affaticati e non bere alcolici.
23. Evitare fuoriuscite di combustibile e dopo aver riempito il serbatoio pulire ogni fuoriuscita sulla macchina prima di avviare il motore.
24. Non manomettere o disattivare i dispositivi di sicurezza.
25. Non cambiare le regolazioni del motore, in modo particolare il numero di giri max.
26. Non appoggiare pesi sul sedile, si potrebbe disattivare il dispositivo di sicurezza dell'avviamento.
27. Non fare nessun tipo di regolazione o pulizia col motore in moto.
28. Non fare controllare la macchina da nessuno mentre siete seduti alla guida col motore in moto.

## USI IMPROPRI DA EVITARE

29. Non permettere passeggeri sulla macchina.

30. Non fare lavorare ragazzi troppo giovani; vietato l'uso ai minori di 16 anni.

31. Non operare col trinciaerba vicino a fossati o banchine che si possono rompere sotto il peso della macchina, specialmente quando la superficie è staccata o bagnata.

32. Sostituire le marmitte danneggiate o usurate.

## ULTERIORI ACCORGIMENTI PER LA SICUREZZA

Le avvertenze sopra riportate potrebbero non essere sufficienti ad evitare ogni rischio, nel caso in cui l'operatore non si attenesse all'uso appropriato della presente macchina trinciaerba. Pertanto, per maggiore prudenza specifichiamo quanto segue:

33. La rotazione della lama del trinciaerba è molto pericolosa, non mettere mai le mani o i piedi sotto al piatto rasoerba.

34. Non fare retromarcia col motore accelerato.

35. E' pericoloso azionare il volante di guida bruscamente, col motore a massimo regime.

36. Prima di avviare il motore riempire il serbatoio di carburante. Fare rifornimento di combustibile solo all'aperto, spegnere sempre il motore, stare lontano da scintille o fiamme, non fumare! Riposizionare in modo sicuro il tappo del serbatoio e dei contenitori di carburante.

37. Se dovete svuotare il serbatoio carburante, eseguire l'operazione all'aperto.

38. Non lavorare col trinciaerba sopra alla ghiaia che viene aspirata e centrifugata dalla lama, risultando molto pericolosa.

39. In presenza di bambini, quando non usate la macchina, nascondete la chiave d'avviamento.

40. **ATTENZIONE:** per ridurre il pericolo d'incendio mantenere il vano motore, la marmitta, i collettori di scarico, la batteria, la zona serbatoio e conduttura carburante liberi da erba, foglie, polvere ecc.

41. Non immagazzinare la macchina dentro un edificio dove i vapori del carburante possono arrivare a fiamme, scintille o fili elettrici scoperti.

42. Disinnestare la trasmissione del piatto di taglio, spegnere il motore e disinserire le candele:

a) prima di pulire i punti ostruiti

b) prima di controllare o riparare il trinciaerba.

c) dopo aver urtato un corpo estraneo (ispezionare l'organo di taglio per verificare che non sia danneggiato).

d) se la macchina comincia a vibrare in modo anomalo, effettuare immediatamente un controllo generale per individuare la ragione che provoca questa anomalia: se necessario richiedere l'intervento di una officina specializzata.

## IDENTIFICAZIONE E ASSISTENZA



### IDENTIFICAZIONE

Il Grillo CLIMBER 9.18 - 9.22 è fornito di una targhetta, posta sotto al cruscotto con il numero della macchina.

## SERVIZIO ASSISTENZA

Questo manuale fornisce le indicazioni per l'uso del trinciaerba e per una corretta manutenzione di base, eseguibile dall'utilizzatore. Per gli interventi non descritti in questo libretto, interpellare il Rivenditore di Zona.

## RICAMBI

Si raccomanda di impiegare esclusivamente ricambi originali, gli unici che offrono caratteristiche di sicurezza e intercambiabilità. Ogni richiesta deve essere corredata del numero di matricola della macchina e il numero di codice del pezzo da sostituire. Per i ricambi del motore, attenersi a quanto indicato nel libretto specifico.

## **GARANZIA**

La garanzia è fornita nei modi e nei limiti indicati dalla legge vigente. Il rivenditore dovrà obbligatoriamente consegnare il certificato di garanzia della macchina al cliente finale, stampando una copia della registrazione dal sito Grillo. Per quanto riguarda il motore, valgono le condizioni previste dai rispettivi produttori.

## **RICAMBI CONSIGLIATI DA TENERE DI SCORTA**

- N. 2 lame
- N. 2 viti lame
- N. 2 dadi viti lame
- N. 1 serie cinghie
- N. 1 filtro aria motore
- N. 1 filtro olio motore

## **CARATTERISTICHE TECNICHE**

**MOTORE:** - 9.18 B&S INTEK 7180 OHV 656 cm<sup>3</sup> 18 HP potenza max. - 15,2 HP potenza netta, bicilindrico a benzina

- 9.22 B&S INTEK PROFESSIONAL SERIES OHV 656 cm<sup>3</sup> 22 HP potenza max. - 18 HP potenza netta, bicilindrico a benzina

**AVVIAMENTO:** elettrico con batteria 12V

**CAMBIO:** trasmissione idrostatica

**DIFFERENZIALE:** con bloccaggio

**FRIZIONE:** elettromagnetica per P.T.O con freno lama

**VELOCITÀ:** da 0 a 10 km/h con variazione continua + RM da 0 a 6 km/h

**PNEUMATICI anteriori:** 13x5.00 – 6; **posteriori:** 17x8.00 – 8

**FRENI:** anteriori di emergenza; posteriori di stazionamento.

**SEDILE:** comfort con braccioli – regolabile.

**PIATTO DI TAGLIO:** a scarico laterale / posteriore

**SISTEMA DI TAGLIO:** rotativo a 1 lama

**LARGHEZZA DI TAGLIO:** 910 mm

**ALTEZZA DI TAGLIO:** da 30 a 90 mm, 4 diverse posizioni di taglio e 1 di trasferimento

**RESA:** 7.200 m<sup>2</sup>/h (indicativa)

**RAGGIO INTERNO DI STERZATA:** 38 cm

**SERBATOIO:** 13 litri - **RISERVA:** 3 litri

**ACCESSORI:** set ruote GARDEN, kit mulching per piatto da 91 cm, sfera gancio traino.

**DIMENSIONI:** Lunghezza 1.800 mm – Larghezza 950 mm – Altezza 1.070 mm

**PESO:** 307 kg

## MESSA IN OPERA DELLA MACCHINA

1. Controllare l'integrità della macchina, che non abbia subito danni durante il trasporto.
2. Verificare i livelli olio, motore, trasmissione idrostatica, riduttore ruote.
3. Verificare la pressione degli pneumatici:  
1 BAR ruote anteriori 13 x 5.00-6  
1,5 BAR ruote posteriori 17 x 8.00-8.
4. Controllare il voltaggio della batteria: non deve risultare inferiore al valore di 12,5 volt. Eventualmente provvedere alla ricarica. Caricare la batteria con un caricabatteria regolato a 12 Volt su carica lenta per 2 ore.

**IMPORTANTE!** Durante il montaggio evitare di invertire le polarità della batteria.

### BATTERIA - ATTENZIONE

I gas sprigionati dalla batteria sono esplosivi, tenetela lontano da fiamme o scintille. Controllate periodicamente il livello del liquido e tenete lubrificati con grasso idoneo i morsetti.

### RODAGGIO - ATTENZIONE!!

Sostituire l'olio motore dopo le prime 20 ore di funzionamento unitamente al filtro. Controllare che non vi siano perdite d'olio o viti lente, in particolare quelle di fissaggio della lama, dello sterzo e delle ruote. Registrare la tensione delle cinghie della trasmissione idrostatica (fig. 16).

## ISTRUZIONI D'USO

### PRIMA DI AVVIARE IL MOTORE

Prima di avviare il motore controllare sempre:

- che l'olio nel motore sia a livello (fig. 2);
- che l'olio del motore idraulico sia a livello (fig. 3);
- che la leva avanzamento sia in posizione di folle (fig. 1B, n.2);
- che le griglie di aspirazione per il raffreddamento del motore siano pulite (fig. 5);
- che il filtro aria sia ben pulito (fig. 6 – fig. 6A);
- che il piatto tosaerba sia ben pulito;
- che le alette del motore idraulico siano pulite (fig. 7);
- che le lame siano ben affilate e saldamente fissate;
- che la vite centrale del mozzo della lama sia ben serrata (fig. 1C n. 3).

Riempire il serbatoio di carburante servendosi di un imbuto munito di un filtro molto fine (fig. 1A, n. 4).

### AVVIAMENTO DEL MOTORE

- Spingere fino a metà corsa il manettino acceleratore (fig. 1B, n. 5).
- Se il motore è freddo azionare il dispositivo di starter (fig. 1B, n. 6). Ruotare la chiave di avviamento posta sul cruscotto (fig. 1, n. 7).
- Una volta avviato il motore disinserire lo starter, aspettare qualche minuto per riscaldare il motore.
- Per spegnere il motore ruotare la chiave d'avviamento nella posizione di STOP (fig. 1 n. 7).

Nota: durante i trasferimenti è bene che il piatto di taglio sia in posizione di massima altezza.

### INIZIO DEL LAVORO

- Scegliere l'altezza di taglio agendo sulla leva (fig. 1D, n. 8), accelerare opportunamente il motore, innestare la PTO (fig. 1, n.1). Azionare dolcemente la leva avanzamento (fig. 1B, n. 2) ed iniziare il lavoro. Per fermarsi riportare la leva avanzamento in posizione stop. La leva di avanzamento può essere riportata in posizione di stop anche premendo il pedale del freno (fig. 23, n. 1).
- La leva (fig. 1B, n. 2) serve anche per la retromarcia, spostandola indietro la macchina retrocede - azionarla dolcemente. Abbandonando la leva, quest'ultima ritorna automaticamente in posizione di folle.

### FRENO ANTERIORE

Il freno anteriore (fig. 23 n. 1) va utilizzato unicamente come freno di emergenza in discesa per non fare scivolare la macchina. Utilizzato in combinazione con il bloccaggio differenziale, rende la macchina molto stabile in discesa. In condizioni normali, per rallentare e frenare, utilizzare solo la leva di avanzamento.

## FRENO DI STAZIONAMENTO

Il freno di stazionamento si inserisce spingendo la leva verso l'alto e aggacciandola all'apposito fermo (fig. 23, n.2); in questa posizione, nel caso si inserisca l'avanzamento, un segnalatore acustico avverte che il freno di parcheggio è inserito. Per registrare il freno di stazionamento, agire sul dado a corona (fig. 22).

## POSIZIONI DI TAGLIO

Per regolare l'altezza di taglio si agisce sulla leva (fig. 1D, n. 8). Il piatto può essere posizionato in 4 diverse posizioni di taglio da 30 a 90 mm ed una posizione di trasferimento nella quale la lama si disinnesta automaticamente (fig. 1D). Per riattivarla utilizzare il pulsante (fig. 1, n. 1).

In presenza di terreno accidentato, cunette o dossi, è conveniente operare con il piatto nella posizione di taglio più alta onde evitare urti da parte della lama.

## TERRENI IN PENDENZA

I terreni ripidi devono essere percorsi possibilmente nel senso salita/discesa, facendo molta attenzione nei cambi di direzione, che le ruote a monte non incontrino ostacoli (sassi, rami, radici, ecc.) che potrebbero causare il ribaltamento o la perdita di controllo della macchina. Se le ruote motrici tendono a slittare, utilizzare il bloccaggio differenziale (fig. 8). Premendo si inserisce, abbandonando il pedale si disinnesta automaticamente. Valutare pertanto le varie situazioni e prestare attenzione **in presenza di terreno umido e erba bagnata in quanto la macchina potrebbe scivolare**. In discesa partire a bassa velocità ed evitare di calpestare erba secca o tagliata in quanto le ruote perdono aderenza.

## STRUMENTO CONTAORE

La macchina è dotata di uno strumento contaore (fig. 1, n. 8) che espleta tre funzioni:

- 1) Mostra il totale delle ore lavorate (sempre visibile sul display anche a chiave disinserita).
- 2) Mostra le ore mancanti al cambio dell'olio motore (OIL CHANGE IN...HS). Il primo cambio dell'olio motore deve avvenire dopo le prime 20 ore di lavoro, i cambi olio motore successivi devono avvenire ogni 100 ore di lavoro. La scritta "OIL CHANGE" lampeggia automaticamente sul display quando occorre effettuare il cambio dell'olio motore.
- 3) Mostra le ore mancanti all'ingrassaggio (LUBE IN...HS). Gli ingrassaggi devono essere eseguiti ogni 40 ore di lavoro. "LUBE" lampeggia automaticamente sul display quando occorre ingrassare la macchina.

Premendo il pulsante bianco del contaore si possono visualizzare a scelta le funzioni sopra indicate.

- 4) Per resettare dopo la sostituzione dell'olio motore oppure dopo l'ingrassaggio procedere come segue: Spingere il pulsante fino a che l'allarme corrispondente lampeggi (OIL CHANGE IN...HS oppure LUBE IN...HS). Poi tenere premuto il pulsante per 6 secondi fino a che l'allarme smette di lampeggiare.

## INTERVENTI DEI DISPOSITIVI DI SICUREZZA

Ricordare sempre che il motore si ferma ogni volta che l'operatore si alza dal sedile.

Inoltre il motore non si avvia se:

- La lama è innestata.
- Se non si è seduti al posto di guida.
- Se la leva avanzamento non è in posizione di stop.

## REGOLE UTILI PER IL BUON USO

- 1) Non forzare mai il motore: quando fuma dallo scarico, è sotto sforzo; bisogna rallentare.
- 2) Non tenere la macchina sotto la pioggia.
- 3) Se nella prima giornata di lavoro la macchina si riscalda un po' fermatela, ha bisogno di riposare.
- 4) Affilare frequentemente le lame; il taglio sarà migliore e il motore forzerà di meno.
- 5) Controllare il terreno prima di procedere alla rasatura. Assicurarci che non vi siano sassi, bastoni o corpi estranei.
- 6) Durante la rasatura tenere il motore a massimo regime, regolare la velocità in base all'altezza dell'erba.
- 7) **Mantenere pulite le griglie sopra al motore e le alette di raffreddamento del motore idraulico (fig. 5 e fig. 7).**

## MANUTENZIONE E LUBRIFICAZIONE

### ATTENZIONE!

- **Scollegare le candele prima di iniziare qualsiasi intervento di pulizia, manutenzione o riparazione. Indossare indumenti adeguati e guanti da lavoro.**
- **Qualora si sollevi la macchina o parte di essa, usare sempre strumenti idonei quali supporti o fermi di sicurezza.**
- **Non lasciare la macchina in manutenzione, priva di sicurezze o sollevata, in luoghi accessibili a persone inesperte, specialmente bambini.**
- **Non disperdere mai nell'ambiente olii esausti, benzina, ogni altro prodotto inquinante!**
- **Un'efficiente manutenzione e una corretta lubrificazione contribuiscono a mantenere la macchina in perfetta efficienza.**

### MOTORE

Per gli intervalli di lubrificazione seguire le norme contenute nel libretto del motore; comunque è **indispensabile sostituire l'olio dopo le prime 20 ore di lavoro e successivamente ogni 100 ore**, utilizzando olio motore SAE 30. Per togliere l'olio svitare il tappo (fig. 20B). Sostituire il filtro olio (fig. 10).

### RIDUTTORE RUOTE

Controllare il livello olio ogni 100 ore svitando il tappo (fig. 11, rif. A); se occorre aggiungere olio per cambio 80W90 (API GL-5). Per togliere l'olio svitare il tappo (fig. 11, rif. B), sostituirlo ogni 1000 ore. Quantità lt. 1,9 (inserire l'olio dal tappo di sfiato fig. 11A).

### MOTORE IDRAULICO

Controllare il livello nella vaschetta di espansione con motore freddo Deve arrivare alla tacca di livello (fig. 3); se occorre, aggiungere olio motore 15W50 oppure 20W50. Sostituire l'olio ogni 200 ore di lavoro. Per togliere l'olio svitare il tappo (fig. 4); inserirlo dalla vaschetta. Mantenere ben pulite le alette e la serpentina del motore idraulico (fig. 3A e fig. 7). Quantità 1 litro.

### FILTRO ARIA

Controllare il filtro aria ogni 4 ore o anche più frequentemente se l'ambiente è molto polveroso (fig. 6 – fig. 6A). Controllare la griglia a rete di aspirazione del raffreddamento del motore (fig. 5). Per non pregiudicare il passaggio dell'aria che serve a raffreddare il motore bisogna tenere sempre pulite le griglie esterne ed interne. Mantenere ben pulito il vano motore, la trasmissione idrostatica e la griglia di aspirazione.

### CONTROLLO LAME E PIATTO

Una lama non affilata strappa l'erba, conferendole un brutto aspetto; è necessario che l'affilatura sia sempre eseguita sui taglienti delle due lame. Per smontare una lama, afferrarla saldamente, utilizzando guanti da lavoro e svitare la vite centrale. Attenzione: la vite è destra (fig. 1C, n. 3). Affilare entrambi i taglienti per mezzo di una mola a grana media e verificare l'equilibratura della lama sorreggendola con un tondo infilato nel foro centrale.

Per le due lame di taglio eseguire il montaggio seguendo lo schema (fig. 13).

### ATTENZIONE!

Serrare bene a fondo la vite di fissaggio (fig. 1C, n. 3). Sostituire sempre i coltelli danneggiati o storti; non tentare mai di ripararli! Per il montaggio seguire lo schema (fig. 13). **USARE SEMPRE COLTELLI ORIGINALI!** Se risultano usurati si possono girare in quanto sono dotati di doppio tagliente.

### PIATTO DI TAGLIO

Una buona planarità del piatto è essenziale per ottenere un prato uniformemente rasato. Posto il rasaerba su una superficie piana e verificata la corretta pressione dei pneumatici, agire sui registri di destra e di sinistra fino a portare il bordo del piatto alla stessa distanza del pavimento, 170 mm (fig. 24) sia da un lato che dall'altro con l'operatore seduto (fig. 14 – 14A) e con il piatto di taglio nella posizione più alta. Nel caso non si riuscisse ad ottenere un buon parallelismo, consultare un Centro di Assistenza Autorizzato.



### **CINGHIA MOTORE – LAMA PIATTO**

La cinghia motore – lama piatto è autoregolante, non ha bisogno di nessuna regolazione: basta controllare la tensione della molla (fig. 15). Se si verifica l'attorcigliamento o la fuoriuscita della cinghia controllare le seguenti misure, tenendo il piatto nella posizione più alta (posizione di trasferimento).

- 1) Dal bordo anteriore del piatto al terreno 170 mm (fig. 24).
- 2) Dal bordo posteriore del piatto al terreno 170 mm (fig. 24).
- 3) Agire sui registri (fig. 14 – 14A).
- 4) Attenzione, quando si posizionano i guidacinghia occorre avvicinarli alla cinghia controllando il piatto nelle varie altezze (fig. 12, rif. A - B). Verificare che la cinghia lavori sempre la centro del tenditore (fig. 15, rif. A). Il tenditore deve sporgere di 5/8 mm rispetto al telaio (fig. 25).

### **CINGHIE MOTORE – TRASMISSIONE IDROSTATICA**

Qualora si riscontrasse una variazione in lunghezza della cinghia e conseguente malfunzionamento, è possibile regolare la tensione agendo sul registro (fig. 16). Attenzione: non comprimere completamente la molla sotto al dado, le cinghie non devono essere né troppo tese, né lente. La molla va mantenuta regolata a 44 mm ed è indicata dalla freccia rossa (fig. 16).

### **ROTAZIONE LAMA**

Per innestare e disinnestare la rotazione della lama si agisce sul pulsante (n. 1, fig.1).

Durante l'innesto il motore deve essere a metà regime (vedi indicazione sull'adesivo acceleratore) e la macchina deve essere al di fuori dell'erba da tagliare. Non inserire le lame con motore a massimo regime. La macchina è dotata di frizione elettromagnetica che funziona anche da freno lama durante il disinnesto. Il disinnesto avviene anche automaticamente nella posizione più alta della leva regolazione altezza di taglio. **ATTENZIONE:** per motivi di sicurezza abbassando la leva di regolazione altezza di taglio dalla posizione più alta con il pulsante innestato (n.1, fig. 1), la lama non riparte automaticamente. Per farla ripartire occorre disinnestare e innestare nuovamente il pulsante di rotazione della lama (fig. 1, n.1). La lama deve arrestarsi entro 5 secondi nei due casi: quando vengono disinnestate tramite pulsante e quando l'operatore abbandona il posto di guida. Qualora ciò non avvenisse occorre registrare i 3 dadi della frizione elettromagnetica, inserendo sotto al piattello freno uno spessimetro da 0,3 mm.

**N.B. Questa operazione va eseguita da un centro assistenza autorizzato.**

### **SOSTITUZIONE CINGHIE**

La trasmissione del movimento del motore alla trasmissione idraulica e dal motore alle lame è ottenuta per mezzo di due cinghie trapezoidali. **Sostituire le cinghie non appena manifestano segni di usura!** La loro sostituzione e le successive regolazioni sono abbastanza complesse ed è indispensabile vengano affidate ad un Centro Assistenza Autorizzato. Per la cinghia che va dal motore al piatto di taglio, occorre smontare i guidacinghia della puleggia del piatto e sganciare la molla tendicinghia (fig. 15, rif. B). Per le due cinghie che vanno dal motore al rinvio e dal rinvio al motore idraulico, procedere come segue:

- 1) togliere la griglia posteriore e superiore
- 2) allentare il dado tendicinghia (fig. 16)

**USARE SEMPRE CINGHIE ORIGINALI!**

### **DISPOSITIVO DI SBLOCCO DELLA TRAZIONE**

Il dispositivo di sblocco della trazione è posizionato dietro al sedile. Se si verificasse un'avaria alla macchina, per poterla trainare o spostare a mano posizionare la levetta verso l'esterno (fig. 20A). Nella posizione (fig. 20B) la macchina è in lavoro. Verificare che il pistoncino del motore idraulico durante il lavoro non rimanga premuto, eventualmente registrare il dado (fig. 21).

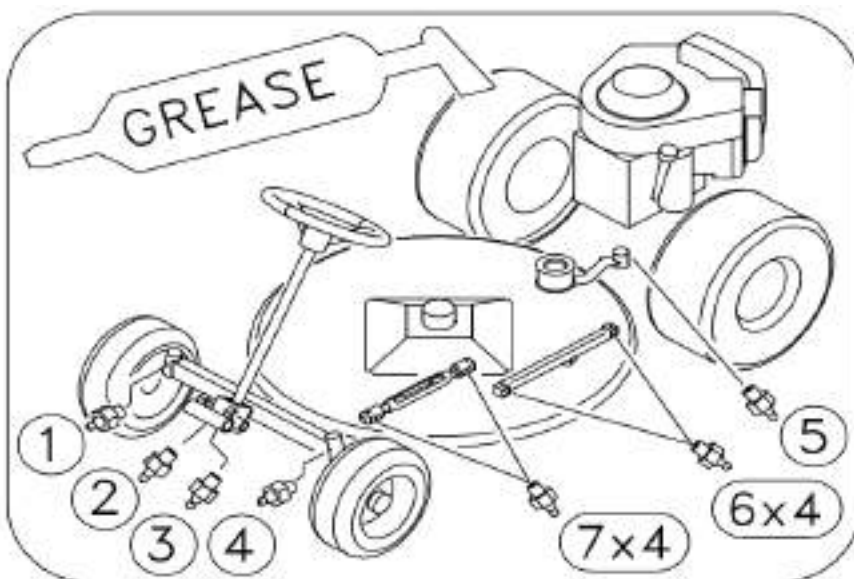
### **REGOLAZIONE BLOCCAGGIO DIFFERENZIALE**

Il bloccaggio differenziale si deve innestare a metà della corsa del pedale (fig. 8). Per regolare l'innesto del bloccaggio differenziale, agire sul registro (fig. 9).

TABELLA RIASSUNTIVA MANUTENZIONE							
OPERAZIONE		OGNI 8 ORE	PRIME 20 ORE	OGNI 40 ORE	OGNI 50 ORE	OGNI 100 ORE	OGNI 200 ORE
Olio motore	Controllare il livello	•					
	Cambiare		•			•	
Filtro aria	Controllare	•					
	Sostituire					*	
Candela	Controllare/registrare					•	
	Sostituire						•
Olio motore idraulico	Controllare il livello		•		•		
	sostituire						•
Controllare che la griglia di aspirazione del motore sia pulita		•					
Controllare che le alette e cilindri del motore siano ben puliti						•	
Olio cambio	Controllare il livello		•			•	
	Sostituire						*
Controllare affilatura e fissaggio lame				•			
Lubrificare con grasso				•			

- operazione raccomandata
- \* operazione da eseguire se necessario

#### PUNTI DI LUBRIFICAZIONE CON GRASSO



## GUIDA ALLA IDENTIFICAZIONE DEGLI INCONVENIENTI

CAUSA	INCONVENIENTE	RIMEDIO
Con la chiave in pos. AVV. il cruscotto rimane spento		
<ul style="list-style-type: none"> <li>- La batteria non eroga corrente alcuna</li> </ul>	<ul style="list-style-type: none"> <li>- Controllare i cavi di collegamento</li> <li>- Controllare il livello dell'elettrolito</li> <li>- Ricaricare la batteria</li> <li>- Sostituire il fusibile</li> </ul>	
Il cruscotto si accende, ma con la chiave in pos. AVV. il motorino di avviamento non gira		
<ul style="list-style-type: none"> <li>- La batteria non eroga sufficiente corrente</li> <li>- Manca il consenso all'avviamento</li> </ul>	<ul style="list-style-type: none"> <li>- Ricaricare la batteria</li> <li>- Leva avanzamento in posizione stop</li> <li>- Disinserire le lame</li> <li>- Sedetevi al posto guida</li> </ul>	
Avviamento difficoltoso o funzionamento irregolare del motore		
<ul style="list-style-type: none"> <li>- Problemi di carburazione</li> <li>- Depositi o impurità nel carburante</li> </ul>	<ul style="list-style-type: none"> <li>- Pulire o sostituire il filtro dell'aria</li> <li>- Regolare il carburatore (attenersi al libretto motore)</li> <li>- Svuotare il serbatoio ed impiegare benzina fresca</li> <li>- Controllare ed eventualmente sostituire il filtro benzina</li> </ul>	
Il motorino gira ma il motore non si avvia		
<ul style="list-style-type: none"> <li>- Mancanza del flusso di benzina</li> <li>- Insufficienza nell'impianto d'accensione</li> </ul>	<ul style="list-style-type: none"> <li>- Controllare che lo starter sia azionato (se il motore è freddo)</li> <li>- Verificare livello nel serbatoio</li> <li>- Controllare il cablaggio del comando apertura carburatore</li> <li>- Controllare (ed eventualmente sostituire) il filtro benzina</li> <li>- Controllare che il foro di sfiato sul tappo del serbatoio non sia otturato</li> <li>- Controllare il fissaggio dei cappucci delle candele</li> <li>- Verificare la pulizia e la corretta distanza fra gli elettrodi</li> </ul>	
Calo di rendimento del motore durante il taglio		
<ul style="list-style-type: none"> <li>- Velocità di avanzamento elevata in rapporto all'altezza di taglio</li> </ul>	<ul style="list-style-type: none"> <li>- Diminuire la velocità</li> </ul>	

#### Taglio irregolare

- Piatto di taglio non parallelo al terreno
  - Inefficienza della lama
  - Controllare la pressione degli pneumatici
  - Ripristinare il parallelismo del piatto
  - Controllare il corretto montaggio della lama
  - Affilare o sostituire le lame
  - Controllare la tensione della cinghia motore piatto
- 

#### Vibrazioni durante il funzionamento

- Lame squilibrate
  - Fissaggi allentati
  - Equilibrare o sostituire le lame se danneggiate
  - Verificare e serrare le viti di fissaggio delle lame, del motore e del telaio
- 

#### Inserimento PTO irregolare

- Premendo il pulsante PTO la lama non si inserisce
  - Verificare il voltaggio della batteria, non deve essere inferiore a 12,5 volt
  - Regolare la planarità del freno lama della frizione elettromagnetica a 0,3mm
- 

### IMPIANTO ELETTRICO

L'impianto elettrico è protetto da un fusibile che, se interrotto, provoca la totale inefficacia di tutto l'impianto elettrico. **Ricercato e riparato il guasto**, sostituire il fusibile avariato con uno di uguale portata. **Non sostituire mai il fusibile con uno di portata diversa.** I fusibili dell'impianto elettrico si trovano sotto al serbatoio (fig. 19). Se gli inconvenienti perdurano dopo aver eseguito le operazioni sopra descritte, contattare il Centro Assistenza Autorizzato. Non tentare mai di effettuare riparazioni impegnative senza avere i mezzi e le cognizioni tecniche necessarie.

### CENTRALINA ELETTRONICA

All'interno della colonna di guida si trova una centralina (fig. 19) che gestisce tutte le funzioni elettriche della macchina quali PTO, sicurezze e consenso all'avviamento.

### IMPORTANTE!

- Evitare di invertire la polarità della batteria.
- Non far funzionare il rasaerba senza la batteria, essendo dotato di un regolatore di carica.
- Fare attenzione a non causare corto circuiti.

### LA MACCHINA NON STA IN FOLLE

Registrare il dispositivo di ritorno a zero allentandolo o stringendolo (fig. 17). Per registrare la velocità in marcia avanti e in RM agire sulle viti (fig. 18).

### FINE LAVORO

Terminata la rasatura, disinnestare le lame ed effettuare il percorso di ritorno con il piatto di taglio in posizione di massima altezza. Per fermarsi mettere la leva avanzamento in posizione STOP (fig. 1B, n. 2), portare il manettino acceleratore al minimo, spegnere il motore ruotando la chiave nella posizione di STOP (fig. 1, n. 7), abbassare il piatto nella posizione più bassa, inserire il freno di stazionamento (fig. 23, n. 2).

### PULIZIA

Dopo ogni utilizzo, ripulire l'esterno del rasaerba.

### **RIMESSAGGIO E INATTIVITÀ PROLUNGATA**

Riporre la macchina in un ambiente asciutto, al riparo dalle intemperie e, possibilmente, ricoprirla con un telo. Se si prevede un prolungato periodo di inattività (superiore a 1 mese), provvedere a scollegare il cavo rosso della batteria (fig. 23) e seguire le indicazioni contenute nel libretto di istruzioni del motore; lubrificare inoltre tutte le articolazioni. Controllare periodicamente che il voltaggio della batteria non scenda sotto il valore di 12 Volt e in tal caso provvedere alla ricarica. Se la macchina non viene utilizzata per più di 30 giorni occorre svuotare del carburante il motore onde prevenire la formazione di depositi gommosi nel sistema di alimentazione o in parti vitali del carburatore. Nel caso si volesse evitare questa operazione, è possibile prolungare la conservazione del carburante in rimessaggio fino a 12 mesi aggiungendo uno stabilizzante per benzina adatto allo scopo. Miscelare l'additivo al carburante nel serbatoio o nel recipiente del carburante. Accendere il motore per far circolare l'additivo nel sistema di alimentazione. Nota: se il motore utilizza benzina contenente alcol, svuotare il serbatoio facendo funzionare il motore fino ad esaurire il carburante.

### **AVVERTENZE PER IL TRASPORTO**

Se la macchina viene trasportata a bordo di un camion o un rimorchio, assicurarla al mezzo di trasporto mediante funi o cavi.

# DESBROZADORA HIDROSTATICA

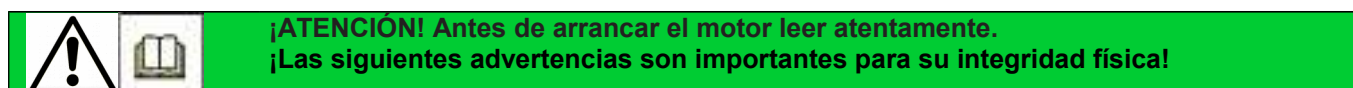
## GRILLO CLIMBER 9.18 - 9.22

Estimado cliente,

la agradecemos por la confianza y la preferencia que ha mostrado por nuestro GRILLO CLIMBER 9.18 - 9.22 y confiamos que el uso de su nueva máquina responda plenamente a sus exigencias. Para un empleo óptimo y un perfecto mantenimiento, le rogamos lea atentamente las indicaciones de este manual y procure seguir las escrupulosamente, ello le permitirá obtener los máximos resultados y salvaguardar su compra. Le rogamos conserve siempre este manual, que debe acompañar la máquina.

### DESCRIPCIÓN GENERAL Y USO PREVISTO

El Climber 9.18 - 9.22 es una desbrozadora con asiento, construida para cortar la hierba, en terrenos pendientes también.



### NORMAS DE PREVENCIÓN DE ACCIDENTES

¡La prudencia es el arma principal en la prevención de cualquier accidente. Le rogamos lea con atención las siguientes advertencias antes de iniciar el trabajo con la desbrozadora de césped. El uso inadecuado de la máquina y de su equipamiento puede resultar dañoso; para reducir las posibilidades de riesgo, es necesario tomar las precauciones necesarias que a continuación se enumeran:

- 1) Leer todo el manual, antes de encender y poner en funcionamiento la desbrozadora de césped.
- 2) Prestar especial atención a las prohibiciones y a los adhesivos de seguridad colocados en la máquina.
- 3) La rotación de la cuchilla de la cortadora de césped es sumamente peligrosa, **nunca poner las manos o los pies debajo del plato de corte.**
- 4) Antes de permitir que otras personas trabajen con la máquina, es preciso ponerlas al corriente de las normas de seguridad y de cómo se usa la misma.
- 5) Antes de encender la máquina, controlar que no hayan personas alrededor de la misma, especialmente niños (**distancia mínima de 15 metros**).
- 6) Antes de retroceder con la máquina en funcionamiento, controlar que no hayan personas u obstáculos.
- 7) **Antes de iniciar a trabajar, vestirse en manera apropiada: ponerse guantes, botas, gafas de protección.**
- 8) **Durante el trabajo, póngase adecuados medios de protección acústica (cascos).**
- 9) Controlar el terreno antes de proceder a cortar el césped, removiendo las piedras, palos o cuerpos extraños que puedan ser arrojados lejos y resultar de ese modo sumamente peligrosos.
- 10) Si se choca contra un cuerpo extraño, desembragar la cuchilla, parar el motor, desconectar las bujías, quitar la llave de arranque e inspeccionar la desbrozadora.
- 11) Antes de bajar de la máquina, apagar el motor, desconectar la PTO (toma de fuerza), quitar la llave de encendido y bajar el plato de corte en la posición más baja.
- 12) En senderos secundarios, viajar a baja velocidad.
- 13) Si el terreno es muy inclinado, moderar la velocidad durante el descenso.
- 14) En las bajadas, curvar siempre de manera muy lenta.
- 15) El usuario siempre es responsable de los daños originados a terceros.
- 16) Las cuchillas deformadas o dañadas siempre deben ser sustituidas, no reparadas.
- 17) Usar siempre recambios originales Grillo.
- 18) Cortar sólo a la luz del sol o con buena iluminación artificial.
- 19) Almacenar el combustible en recipientes fabricados específicamente con dicha finalidad.
- 20) Prestar atención cuando se trabaje en proximidad de una carretera.
- 21) Dejar enfriar el motor antes de guardar la máquina en ambientes cerrados.
- 22) No utilizar la máquina en caso de estar cansado y no hacer uso de bebidas alcohólicas.
- 23) Evitar las pérdidas de combustible y, tras haber llenado el tanque, limpiar los residuos que queden sobre la máquina antes de poner en marcha la misma.
- 24) No manipular ni desactivar los dispositivos de seguridad.

- 25) No modificar las regulaciones del motor, especialmente la cantidad máxima de revoluciones.
- 26) No ponga pesos sobre el asiento, el dispositivo de seguridad de arranque podría desactivarse.
- 27) No hacer algún tipo de regulación o limpieza con el motor en marcha.
- 28) No hacer controlar la máquina por otras personas mientras esté conduciendo con el motor en marcha.

### EVITAR LOS USOS INCORRECTOS

- 29) **No llevar pasajeros.**
- 30) No deje trabajar a muchachos demasiado jóvenes: se prohíbe el uso a los menores de 16 años.
- 31) No trabajar con la cortadora de césped cerca de fosos o banquetas que puedan ceder bajo el peso de la máquina, especialmente cuando la superficie se presenta movediza o mojada.
- 32) Sustituir el silenciador de escape cuando el mismo esté gastado o dañado.

### MEDIDAS PREVENTIVAS COMPLEMENTARIAS

Las advertencias citadas arriba podrían no ser suficientes al fin de evitar cualquier riesgo, en el caso de que el operador no respete el uso apropiado de la máquina cortacésped. Por eso, añadimos las medidas preventivas de seguridad que se dan a continuación.

- 33) La rotación de la cuchilla de la cortadora de césped es sumamente peligrosa, **nunca poner las manos o los pies debajo del plato de corte.**
- 34) No hacer marcha atrás con el motor acelerado.
- 35) Es peligroso accionar el volante de manera brusca, con el motor a máximo régimen
- 36) Antes de arrancar, reposte de combustible el tanque. Haga el abastecimiento sólo al aire libre, apague siempre el motor, manténgase alejado de chispas o llamas, ¡no fume! Cierre bien el tapón del depósito y de los contenedores de carburante. Si fuera necesario vaciar el tanque de combustible, efectuar la operación al aire libre.
- 37) No trabajar con la desbrozadora sobre la grava, dado que la misma es aspirada y centrifugada por la cuchilla, resultando sumamente peligrosa.
- 38) Esconder las llaves donde los niños no pueden encontrarlas.
- 39) **ATENCIÓN:** Para reducir el peligro de incendio, mantener el alojamiento motor, el silenciador del escape, los tubos de escape, la batería, la zona del tanque y los conductos de combustible limpios de césped, hojas, polvo, etc.
- 40) No almacenar la máquina dentro de un edificio donde los vapores del combustible puedan entrar en contacto con llamas, chispas o cables de electricidad descubiertos.
- 41) Desembragar la transmisión del plato de corte, apagar el motor y desconectar las bujías:
  - a) **antes de limpiar los puntos obstruidos.**
  - b) **antes de controlar o reparar la desbrozadora.**
  - c) **en caso de choque contra un cuerpo extraño (inspeccionar el plato de corte para comprobar que no hayan daños).**
  - d) **si la máquina empieza a vibrar de manera anómala, efectuar en seguida un control general para individuar el origen de la anomalía: si necesario, contacte a un profesional.**

## IDENTIFICACIÓN Y ASISTENCIA



### IDENTIFICACIÓN

La desbrozadora Climber 9.18 - 9.22 está dotada de una placa de identificación con el número de bastidor de la máquina situada debajo del tablero de control.

### SERVICIO ASISTENCIA

Este manual ofrece las indicaciones para el uso de la desbrozadora y para un buen mantenimiento básico, posible de ser efectuado por el usuario. Para obtener información acerca de las intervenciones no descritas en este manual, se ruega ponerse en contacto con el Revendedor local.

## REPUESTOS

Se recomienda utilizar exclusivamente repuestos originales, los únicos que ofrecen características de seguridad y posibilidad de intercambio. Cada pedido debe ser acompañado por el número de bastidor de la máquina y la referencia de la pieza a sustituir. Para los repuestos del motor, atenerse a las indicaciones del manual correspondiente.

## GARANTÍA

La garantía es ofrecida en los modos y dentro de los límites previstos por la ley en vigor. El revendedor tiene que entregar el certificado de garantía de la máquina al cliente final, imprimiendo una copia de la registración del sitio Internet Grillo. Por lo que respecta el motor, valen las condiciones previstas por los respectivos fabricantes.

## REPUESTOS QUE SE RECOMIENDA TENER

N. 2 cuchillas

N. 2 tornillos cuchillas

N. 2 tuercas tornillos cuchillas

N. 1 serie de correas

N. 1 filtro aire motor

N. 1 filtro aceite motor

## CARACTERÍSTICAS TÉCNICAS

**MOTOR:** - 9. 22 B&S INTEK 7180 656 cm<sup>3</sup> OHV 18 cv potencia max. - 15,2 cv potencia neta, dos cilindros, gasolina.

- 9. 22 B&S INTEK 7220 PROFESSIONAL SERIES, 656 cm<sup>3</sup> OHV 22 cv potencia max. - 18 cv potencia neta, dos cilindros, gasolina.

**ARRANQUE:** eléctrico, batería 12 V.

**CAMBIO:** transmisión hidrostática.

**DIFERENCIAL:** con bloqueo.

**EMBRAGUE:** por P.T.O, electromagnética, con freno cuchilla.

**VELOCIDAD:** de 0 a 10 km/h con variación continua y marcha atrás de 0 a 6 km/h.

**NEUMATICOS DELANTEROS:** 13x5.00-6 **TRASEROS:** 17x8.00-8

**FRENOS:** delanteros de emergencia, traseros de estacionamiento.

**ASIENTO:** confort con apoyabrazos – ajustable.

**PLATO DE CORTE:** con descarga lateral/ trasera.

**TIPO DE CORTE:** 1 cuchilla rotativa.

**ANCHO DE CORTE:** 910 mm.

**ALTURA DE CORTE:** de 30 a 90 mm, 4 posiciones de corte diferentes y 1 de traslado.

**CAPACIDAD HORARIA:** 7.200 m<sup>2</sup>/h (aprox.)

**RADIO DE GIRO INTERIOR:** 380 mm.

**CAPACIDAD TANQUE CARBURANTE:** 13 litros

**RESERVA:** 3 litros

**ACCESORIOS:** series ruedas para césped, kit Mulching para plato cm 91, esfera para gancho, tiro a esfera.

**DIMENSIONES:** Largo 1.800 mm – Ancho 990 mm – Alto 1.070 mm

**PESO:** 307 kg



## PUESTA EN MARCHA DE LA MÁQUINA

1. Controlar la integridad de la máquina y que no haya sufrido daños durante el transporte.
2. Controlar los niveles del aceite: aceite del motor, de la transmisión hidrostática y del reductor de las ruedas.
3. Controlar la presión de los neumáticos:
  - 1 BAR ruedas delanteras 13 x 5.00-6
  - 1,5 BAR ruedas traseras 17 x 8.00-8
4. Controlar el voltaje de la batería, que no debe resultar inferior a los 12,5 voltios, eventualmente proceder a la recarga de la misma en carga lenta por dos horas.

**¡IMPORTANTE!** Durante el montaje, evitar la inversión de los polos de la batería.

### **BATERÍA - ¡ATENCIÓN!**

Los vapores emitidos por la batería son explosivos, por ello es necesario mantenerla lejos de llamas o chispas. Controlar periódicamente el nivel del líquido y mantener los bornes engrasados con grasa apropiada.

### **RODAJE - ¡ATENCIÓN!**

Sustituir el aceite motor y el filtro tras las primeras 20 horas de funcionamiento. Controlar que no se produzcan pérdidas de aceite y que no se aflojen los tornillos, especialmente los que fijan la cuchilla de corte, el volante y las ruedas. Regular la tensión de las correas de la transmisión hidrostática (fig. 16).

## INSTRUCCIONES DE USO

### **Antes de poner en marcha el motor, controlar siempre que:**

- el aceite del motor esté a nivel (fig. 2);
- el aceite del motor hidráulico esté a nivel (fig. 3);
- la palanca de avance esté en punto muerto (fig. 1B n. 2);
- las rejillas de aspiración para la refrigeración del motor estén limpias (fig. 5);
- el filtro de aire esté bien limpio (fig. 6 – fig. 6A);
- el plato de corte esté bien limpio;
- las aletas del motor hidráulico estén limpias (fig. 7);
- las cuchillas estén bien afiladas y fuertemente aseguradas;
- el tornillo central del cubo de la cuchilla esté bien ajustado (fig. 1C n. 3);

Llenar el tanque de combustible sirviéndose de un embudo dotado de un filtro muy fino (fig. 1A n. 4).

### **PUESTA EN MARCHA DEL MOTOR**

- Empujar la manecilla del acelerador hasta la mitad de su recorrido (fig. 1B n. 5).
- Si el motor está frío, accionar el stárter (fig. 1B n. 6). Girar la llave de puesta en marcha colocada en el salpicadero (fig. 1 n. 7).
- Una vez en marcha el motor, desconectar el stárter y esperar algunos minutos para calentar el motor.
- Para apagar el motor girar la llave de arranque en la posición de STOP (fig. 1, n. 7).

**Nota:** Durante los desplazamientos, es oportuno que el plato de corte se encuentre a la máxima altura.

### **INICIO DEL TRABAJO**

- Seleccionar la altura de corte mediante la palanca (fig. 1D n. 8), acelerar el motor cuanto sea necesario y embragar la PTO (toma de fuerza) (fig. 1 n. 1). Accionar moderadamente la palanca de avance (fig. 1B n. 2) e iniciar el trabajo. Para detenerse, llevar la palanca de avance nuevamente a la posición de stop. La palanca del avance puede volver a la posición de STOP también presionando el pedal del freno (fig. 23, n. 1).
- La palanca (fig. 1B n. 2) también sirve para la marcha atrás; moviéndola hacia atrás la máquina retrocede. Se recomienda accionarla moderadamente. Al soltar la palanca, esta vuelve automáticamente a la posición de punto muerto.

### **FRENO DELANTERO**

El freno delantero (fig. 23 n. 1) debe ser utilizado únicamente en condiciones de emergencia, para evitar el deslizamiento de la máquina en fuertes bajadas. Se recomienda, para mejor estabilidad, de utilizarlo

en conjunto con el bloqueo diferencial de las ruedas traseras en fuertes bajadas. En condiciones normales, para frenar utilizar la palanca de mando de la transmisión hidrostática.

### FRENO DE ESTACIONAMIENTO

Accionar el freno empujando la palanca hacia arriba hasta que se enganche en el tornillo (fig. 23 n. 2). En esta posición, al accionar la palanca de avance, un señalador acústico avisa de que el freno está accionado. Para ajustar el freno de estacionamiento, regular la tuerca almenada (fig. 22).

### POSICIONES DE CORTE

Para regular la altura de corte se utiliza la palanca (fig. 1D n. 8). El plato puede ser colocado en cuatro posiciones de corte diferentes (de 30 a 90 mm) y en una posición de traslado, donde la cuchilla se desembraga automáticamente (Fig. 1D). Para embragarla de nuevo utilizar el botón (fig. 1, n. 1). En presencia de terreno accidentado, cunetas o badenes, es oportuno trabajar con el plato en la posición de corte más alta para evitar choques por parte de la cuchilla.

### TERRENOS INCLINADOS

Los terrenos escarpados deben ser recorridos posiblemente en el sentido de subida y bajada, prestando suma atención en que las ruedas no encuentren obstáculos (piedras, ramas, raíces, etc.) en los cambios de dirección, dado que se podría producir el vuelco o la pérdida de control de la máquina. Si las ruedas motrices tienden a resbalar, utilizar el bloqueo diferencial (fig. 8), que se activa presionando el pedal y se desactiva automáticamente cuando se lo suelta. **Por lo tanto, evaluar las diferentes situaciones y prestar atención en presencia de terreno húmedo y césped mojado, dado que la máquina podría resbalar.** En descenso, partir a baja velocidad y evitar pisar césped seco o cortado, dado que en dichas condiciones las ruedas pierden adherencia.

### CONTADOR HORARIO

La máquina está equipada con un nuevo contador horario (fig. 1, n. 8). Este dispositivo ofrece 3 funciones:

- 1) Muestra el número de las horas trabajadas (siempre visible, incluso si la llave no está insertada).
- 2) Muestra las horas que faltan al cambio del aceite motor (OIL CHANGE IN ...HS). Es indispensable sustituir el aceite tras las primeras 20 horas de trabajo y sucesivamente cada 100 horas de trabajo. El mensaje " OIL CHANGE" parpadea automáticamente en la pantalla cuando es necesario efectuar la sustitución del aceite motor.
- 3) Muestra las horas que faltan a la lubricación con grasa (LUBE IN...HS). La lubricación con grasa es necesaria cada 40 horas de trabajo. "LUBE" parpadea automáticamente en la pantalla cuando es necesario engrasar la máquina.

Estas tres funciones se pueden escoger presionando el botón blanco del contador horario.

- 4) Para reinicializar la función tras el cambio del aceite motor o después de la lubricación proceda en la manera siguiente:

Pulse el botón hasta que el alarma correspondiente parpadea (OIL CHANGE IN...HS o LUBE IN...HS). Después tenga el botón pulsado por 6 segundos hasta que el alarma en la pantalla acaba de parpadear.

### REGLAS ÚTILES DE BUEN USO

- 1) Nunca forzar el motor; cuando sale humo por el escape significa que la máquina se está esforzando, entonces es necesario desacelerar.
- 2) No tener la máquina bajo la lluvia.
- 3) Si la máquina se calienta un poco el primer día de trabajo, es importante pararla para hacer que repose.
- 4) Afilar las cuchillas frecuentemente; el corte será mejor y el motor se esforzará mucho menos.
- 5) Controlar el terreno antes de proceder al corte del césped; eliminar las piedras, los palos y los cuerpos extraños.
- 6) Durante el corte, mantener el motor a régimen máximo, regular la velocidad en base a la altura del césped.
- 7) **Mantener limpias las rejillas situadas sobre el motor y las aletas de enfriamiento del motor hidráulico (fig. 5 - fig. 7).**

## INTERVENCIÓN DE LOS DISPOSITIVOS DE SEGURIDAD

Recordar siempre que el motor se para automáticamente cada vez que el operador se levanta del asiento. Además, el motor no se pone en marcha si:

- La cuchilla está embragada.
- Si el operador no está sentado en el puesto de conducción.
- Si la palanca de avance no se encuentra posición de punto muerto.

## MANTENIMIENTO Y LUBRICACIÓN

### ¡ATENCIÓN!

- **Desconectar las bujías antes de iniciar cualquier operación de limpieza, mantenimiento o reparación. Llevar indumentaria apropiada y guantes de trabajo.**
- **Si fuera necesario levantar la máquina o parte de esa, utilizar siempre herramienta adecuada como soportes o ganchos de seguridad.**
- **No dejar la máquina en mantenimiento, sin dispositivos de seguridad o levantada en lugares accesibles a personas inexpertas, especialmente niños.**
- **Nunca desechar en el medio ambiente el aceite usado, la gasolina o cualquier otro producto contaminante.**
- **Un mantenimiento eficaz y una correcta lubricación contribuyen a mantener la máquina en perfectas condiciones.**

### MOTOR

Para las operaciones de lubricación, seguir las normas incluidas en el manual del motor. De todos modos, es **indispensable sustituir el aceite tras las primeras 20 horas de trabajo y después cada 100 horas** utilizando aceite motor SAE 30. Para quitar el aceite, remover el tapo (fig. 20B). Luego sustituir el filtro aceite (fig. 10).

### REDUCTOR DE RUEDAS

Controlar el nivel de aceite cada 100 horas destornillando el tapón (fig. 11, rif. A); de ser necesario rellenar con aceite para cambio 80W90 (API GL-5). Para quitar aceite destornillar el tapón (fig. 11, rif. B), cambiarlo cada 1000 horas. Cantidad 1,9 litros (echar el aceite por el tapón de purga fig. 11A).

### MOTOR HIDRÁULICO

Con el motor frío, controlar el nivel en la cámara de expansión, que debe llegar a la marca de nivel (fig. 3); si es necesario, agregar aceite 15W50 o 20W50. Sustituir el aceite cada 200 horas de trabajo. Para quitar el aceite, desenroscar la tapa (fig.4); luego introducir el aceite nuevo en la cámara. Mantener bien limpias las aletas y el serpentín del motor hidráulico (fig. 3A y fig. 7). Cantidad 1 litro.

### FILTRO DE AIRE

Controlar el filtro de aire cada 4 horas de trabajo o aún más frecuentemente si el ambiente es muy polvoriento (fig. 6 – fig. 6A). Controlar la rejilla de aspiración de la refrigeración del motor (fig. 5). Para no perjudicar el paso del aire que sirve para refrigerar el motor, es necesario mantener limpias tanto las rejillas exteriores como las interiores. Mantener bien limpio el alojamiento del motor, la transmisión hidrostática y la rejilla de aspiración.

### CONTROL CUCHILLAS Y PLATO DE CORTE

Una cuchilla desafilada arranca el césped, dándole un aspecto desagradable. Es necesario que el afilado sea realizado siempre en los filos de las dos cuchillas. Para desmontar una cuchilla, aferrarla fuertemente, utilizando guantes de trabajo, y destornillar el tornillo central considerando que el mismo gira a derechas (fig. 1/C n. 3); afilar ambos filos mediante una muela de grano mediano y controlar el equilibrado de la cuchilla sosteniéndola con una barra introducida en el orificio central. Efectuar el montaje de ambas cuchillas siguiendo el esquema (fig. 13).

**Atención!** Apretar bien el tornillo de fijación (fig. 1C, n.3). Sustituir siempre las cuchillas dañadas o torcidas; nunca repararlas! Efectuar el montaje siguiendo el esquema (fig. 13). ¡USAR SIEMPRE CUCHILLAS ORIGINALES! Si resultaran dañadas, se pueden girar en cuanto equipadas de doble filo.

## PLATO DE CORTE

Una buena planeidad del plato es esencial para obtener un corte de césped uniforme. Colocar la desbrozadora sobre una superficie plana, controlar la correcta presión de los neumáticos, y luego servirse de los reguladores derechos e izquierdos hasta llevar el borde del plato a la misma distancia al suelo, 170 mm, tanto de un lado como del otro, con el operador sentado y el plato de corte en la posición más baja (fig. 14 – 14/A). En caso de no lograr un perfecto paralelismo, se ruega consultar un Centro de Asistencia Autorizado.

## CORREA MOTOR – CUCHILLA PLATO

La correa motor - cuchilla consta de regulación automática, por lo tanto no tiene necesidad de alguna regulación; es suficiente controlar la tensión del resorte (fig. 15). Si se produce el enroscamiento o la salida de la correa, controlar las siguientes medidas teniendo el plato en la posición superior de traslado:

- 1) Distancia del borde delantero del plato al suelo: 170 mm (fig. 24).
- 2) Distancia del borde trasero del plato al suelo: 170 mm (fig. 24).
- 3) Servirse de los registros (fig. 14 - 14/A).
- 4) **Atención!** cuando se posicionan los desplazadores de correa, hay que acercarlos controlando el plato en las diferentes alturas (fig. 12, rif. A). Controlar que la correa trabaje siempre en el centro del tensor (fig. 15, rif. A). El tensor debe sobresalir de 5/8 mm con respecto al bastidor (fig. 25).

## CORREA MOTOR - TRANSMISIÓN HIDROSTÁTICA

Si se detecta una variación de longitud de la correa y el consiguiente malfuncionamiento, es posible regular la tensión mediante el regulador (fig. 16). Prestar atención en no comprimir completamente el resorte situado debajo de la tuerca; las correas no tienen que estar demasiado tensas ni demasiado flojas. El resorte debe mantenerse regulado en 44 mm y es indicado por la flecha roja (fig. 16).

## ROTACIÓN CUCHILLA

Para embragar y desembragar la rotación de la cuchilla, se utiliza el pulsador (fig. 1 n. 1). Durante el embrague, el motor debe estar a régimen medio (véase la indicación en el adhesivo del acelerador) y la máquina no debe estar sobre el césped para cortar. No activar las cuchillas con el motor en régimen máximo. La máquina está dotada de embrague electromagnético, que funciona también como freno de las cuchillas durante el desembrague. El desembrague se produce también de manera automática en la posición superior de la palanca de regulación de la altura de corte. **IMPORTANTE:** Por razones de seguridad, al bajar la palanca de regulación de la altura de corte de la posición más alta con el interruptor presionado (n.1, fig.1), la cuchilla no se pone automáticamente en movimiento. Para embragarla hay que desactivar y activar nuevamente el interruptor de rotación de la cuchilla. La cuchilla debe detenerse dentro de 5 segundos en ambos casos: desactivandola por medio del interruptor y abandonando el puesto de conducción. La cuchilla debe parar en cinco segundos a regimen maximo. Si no es así reglar las tres tuercas del embrague electromagnético colocando bajo el disco de freno un calibre de 0,3 mm. **Nota: esta operación debe ser efetuada por un centro de asistencia autorizado.**

## SUSTITUCIÓN CORREAS

La transmisión del movimiento del motor a la transmisión hidráulica y a las cuchillas se obtiene mediante dos correas trapezoidales. **¡Sustituir las correas en cuanto se detecten signos de desgaste!** Su sustitución y las regulaciones sucesivas son bastante complejas y es indispensable que sean realizadas por un Centro Asistencia Autorizado. Para la correa del motor del plato de corte, es necesario desmontar los desplazadores de la correa de la polea del plato, y luego desenganchar el resorte tensor de correa como en la fig. 15, B. Para las dos correas motor-transmisión y transmisión-motor hidráulico, proceder de la siguiente manera:

- 1) Quitar las rejillas trasera y superior
- 2) Aflojar la tuerca tensora de correa (Fig. 16).

**¡USAR SIEMPRE CORREAS ORIGINALES!**

**DISPOSITIVO DE DESBLOQUEO DE LA TRACCIÓN**

El dispositivo de desbloqueo de la tracción está posicionado detrás del asiento, si se verificase una avería en la máquina, para poder remolcarla o desplazarla a mano posicionar la palanca hacia el exterior (fig. 20A). En la posición indicada (fig. 20B) la máquina está en trabajo. Controlar que el pistoncillo del motor hidráulico durante el trabajo no permanezca presionado, de ser necesario registrar la tuerca (fig. 21).

**REGULACIÓN DEL BLOQUEO DIFERENCIAL**

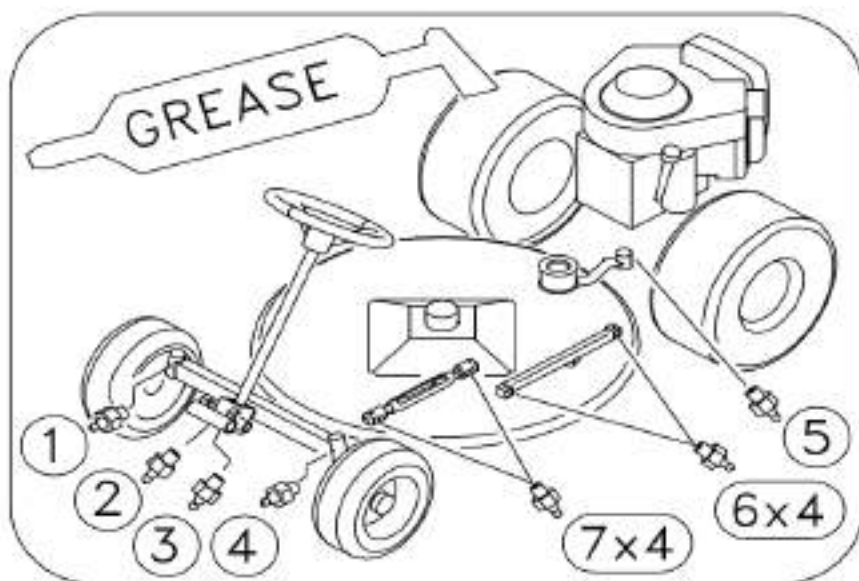
El bloqueo diferencial tiene que activarse cuando el pedal se encuentra en el medio de su recorrido (fig. 8). Para ajustar el punto de activación del bloqueo diferencial, utilizar el dispositivo correspondiente (fig. 9).

TABLA RECAPITULATIVA DE MANTENIMIENTO							
INTERVENTOS		CADA 8 HORAS	PRIMERAS 20 HORAS	CADA 40 HORAS	CADA 50 HORAS	CADA 100 HORAS	CADA 200 HORAS
Aceite motor	Controlar el nivel	•					
	Sustituir		•			•	
Filtro aire	Controlar	•					
	Sustituir					*	
Bujía	Controlar/registrar					•	
	Sustituir						•
Aceite motor hidráulico	Controlar el nivel		•		•		
	Sustituir						•
Controlen que la rejilla de aspiración motor sea limpia		•					
Controlen que las aletas y los cilindros sean limpios						•	
Aceite caja de cambios	Controlar el nivel		•			•	
	Sustituir						*
Controlar afilado y fijación cuchillas				•			
Lubricar con grasa				•			

• **intervención recomendada**

\* intervenir si necesario

## PUNTOS DE LUBRICACION CON GRASA



## GUÍA A LA IDENTIFICACIÓN DE LOS INCONVENIENTES

CAUSA	INCONVENIENTE	SOLUCIÓN
	Con la llave en posición "AVV" (MARCHA) el salpicadero queda apagado	
<ul style="list-style-type: none"> <li>- La batería no suministra alguna corriente</li> </ul>		<ul style="list-style-type: none"> <li>- Controlar los cables de conexión</li> <li>- Controlar el nivel del electrólito</li> <li>- Recargar la batería</li> <li>- Sustituir el fusible</li> </ul>
	El salpicadero se enciende , par con llave en posición "AVV" (MARCHA) el motor de arranque no gira	
<ul style="list-style-type: none"> <li>- La batería no suministra suficiente corriente</li> <li>- Falta el asenso a la puesta en marcha</li> </ul>		<ul style="list-style-type: none"> <li>- Recargar la batería</li> <li>- Palanca de avance en posición Stop</li> <li>- Desactivar las cuchillas</li> <li>- Sentarse en el puesto de conducción</li> </ul>
	Puesta en marcha dificultosa o funcionamiento irregular del motor	
<ul style="list-style-type: none"> <li>- Problemas de carburación</li> <li>- Depósitos o impurezas en el combustible</li> </ul>		<ul style="list-style-type: none"> <li>- Limpiar o sustituir el filtro del aire</li> <li>- Regular el carburador (referirse al manual del motor)</li> <li>- Vaciar el tanque y cargar combustible nuevo</li> <li>- Controlar y sustituir el filtro combustible</li> </ul>
	El motor de arranque gira pero el motor principal no arranca	
<ul style="list-style-type: none"> <li>- Falta de flujo de combustible</li> </ul>		<ul style="list-style-type: none"> <li>- Controlar que el stárter esté accionado (si el motor está frío)</li> <li>- Controlar el nivel del tanque</li> <li>- Controlar los cables del mando apertura carburador</li> </ul>

- Controlar y eventualmente sustituir el filtro de combustible
    - Controlar que el orificio de ventilación en la tapa del tanque no esté obstruido.
  - Insuficiencia en el equipo de encendido
    - Controlar la fijación de los capuchones de las bujías.
    - Controlar que los electrodos estén limpios y a una distancia correcta.
- 

#### Reducción del rendimiento del motor durante el corte

- Velocidad de avance elevada en relación a la altura de corte
    - Disminuir la velocidad
- 

#### Corte irregular

- Plato de corte no paralelo al terreno
    - Controlar la presión de los neumáticos
    - Restablecer el paralelismo del plato
  - Cuchilla ineficaz
    - Controlar que la cuchilla esté montada correctamente
    - Afilar o sustituir las cuchillas
    - Controlar la tensión de la correa del motor plato
- 

#### Vibraciones durante el funcionamiento

- Cuchillas desequilibradas
    - Equilibrar las cuchillas o sustituirlas si están dañadas
  - Fijaciones flojas
    - Controlar y ajustar los tornillos de fijación de las cuchillas, los del motor y los del chasis
- 

#### Activación toma de fuerza irregular

- Presionando el botón toma de fuerza la cuchilla no se activa
    - Controlar el voltaje de la batería, no debe ser inferior a 12,5 V
    - Regular el plano del freno cuchilla embrague electromagnético 0,3 mm
- 

## INSTALACIÓN ELÉCTRICA

La instalación eléctrica está protegida por un fusible que, cuando se interrumpe, provoca la completa ineficacia de la misma. **Una vez detectada y reparada la avería**, sustituir el fusible averiado por otro de la misma capacidad. **Nunca sustituir el fusible por otro de capacidad diferente.** Los fusibles de la instalación eléctrica se encuentran debajo del tanque (fig. 19). Si los inconvenientes perduran tras haber efectuado las operaciones descritas, ponerse en contacto con el Centro de Asistencia Autorizado. Nunca tratar de efectuar reparaciones importantes sin contar con los medios y los conocimientos técnicos necesarios.

### ¡IMPORTANTE!

- Evitar la inversión de los polos de la batería.
- No hacer funcionar la desbrozadora de césped sin la batería, dado que está dotada de un regulador de carga.
- Prestar atención en no causar cortocircuitos.

## **UNIDAD ELÉCTRICA DE CONTROL**

Al interno de la columna de dirección hay una unidad eléctrica de control (fig. 19) que tiene la gestión de todas funciones eléctricas como la toma de fuerza y las seguridades para consentir el arranque.

## **SI LA MÁQUINA NO SE MANTIENE EN PUNTO MUERTO**

Regular el dispositivo de retorno a cero ajustándolo o aflojándolo (fig. 17). Para regular la velocidad de avance y retroceso, utilizar los tornillos (fig. 18).

## **FIN DEL TRABAJO**

Una vez terminado el corte del césped, desembragar las cuchillas y efectuar el trayecto de retorno con el plato de corte en posición de máxima altura. Para detenerse, colocar la palanca de avance en posición STOP (fig. 1B N° 2), llevar la manecilla del acelerador a la posición de mínimo, apagar el motor girando la llave en posición STOP (fig. 1 N° 7) y bajar el plato a la posición más baja, activar el freno de estacionamiento (fig. 23 N° 2).

## **LIMPIEZA**

Limpiar la parte exterior de la desbrozadora de césped después de cada uso.

## **ALMACENAMIENTO E INACTIVIDAD PROLONGADA**

Guardar la máquina en un ambiente seco, al reparo de la intemperie, cubriéndola si es posible con una lona. Si se prevé un prolongado período de inactividad (superior a 1 mes), desconectar el cable rojo de la batería (fig. 23) y seguir las instrucciones del manual del motor; lubricar además todas las articulaciones. Controlar periódicamente que el voltaje de la batería no descienda por debajo de los 12,5 voltios, en cuyo caso es necesario recargarla. Si se prevé un periodo prolongado de inactividad (superior a un mes), es necesario vaciar el motor del combustible para prevenir la formación de depósitos gomosos en el sistema de alimentación o en partes vitales del carburador. Si se quiere evitar esta operación, es posible prolongar la conservación del combustible en almacenamiento hasta 12 meses añadiendo el aditivo estabilizante para gasolina. Mezcle el aditivo al carburante en el depósito o en el recipiente del carburante. Ponga en marcha el motor por un tiempo para hacer circular el aditivo en el sistema de alimentación. **Nota:** si el motor lleva gasolina con alcohol, vacíe el depósito haciendo funcionar el motor hasta que se vacíe por completo.

## **ADVERTENCIAS POR EL TRANSPORTE**

Si la máquina es transportada con un camión o un remolque, amárrela al medio de transporte con cables o cadenas adecuados.



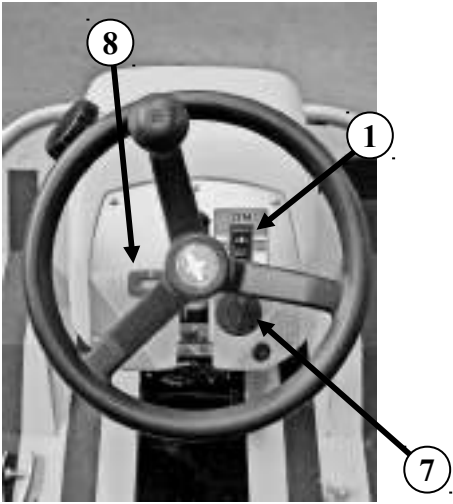


Fig. 1

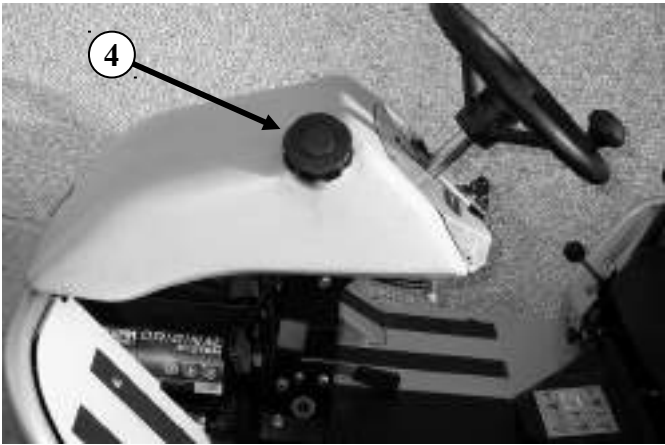


Fig. 1A

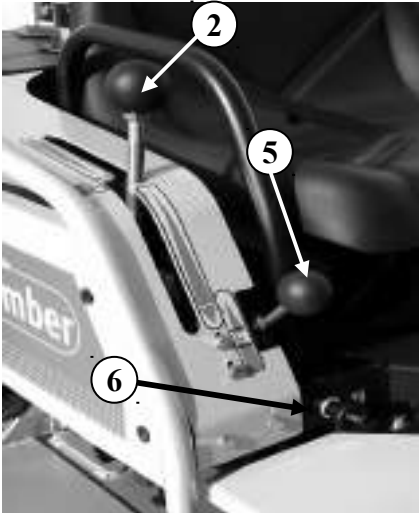


Fig. 1B

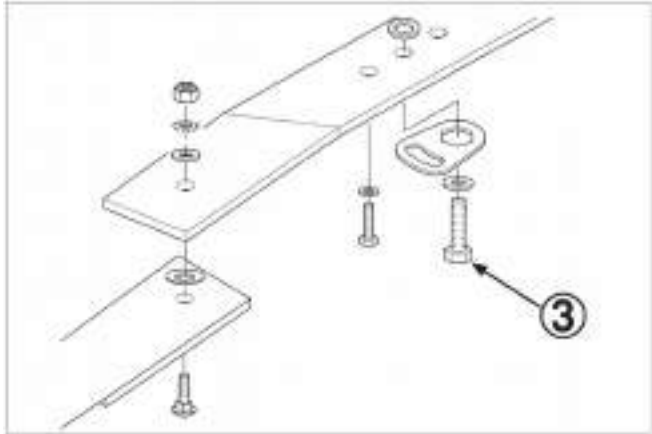


Fig. 1C



Fig 1D

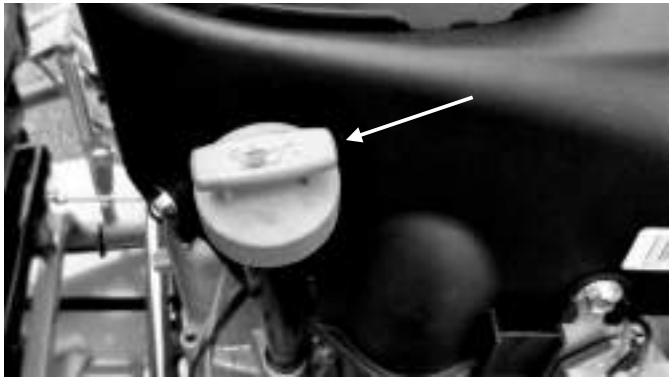


Fig. 2



Fig. 3



Fig. 3A



Fig. 4



Fig. 5



Fig. 6



Fig. 6A



Fig. 7



Fig. 8

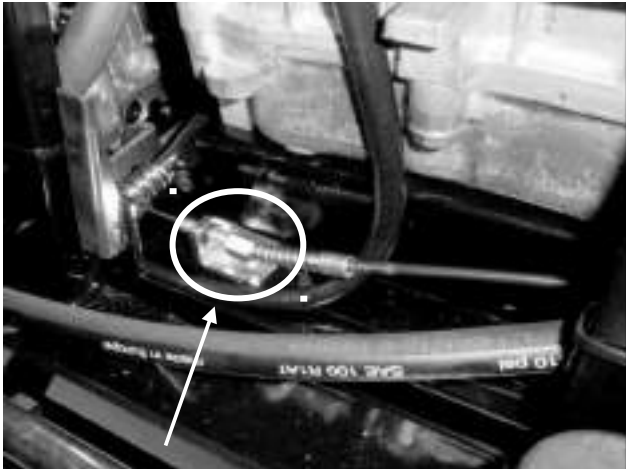


Fig. 9



Fig. 10

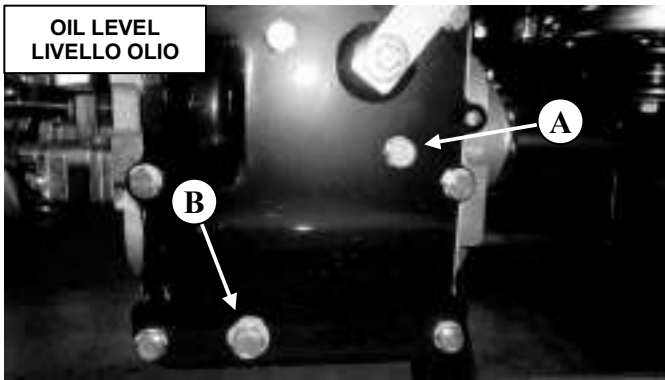


Fig. 11



Fig. 11A

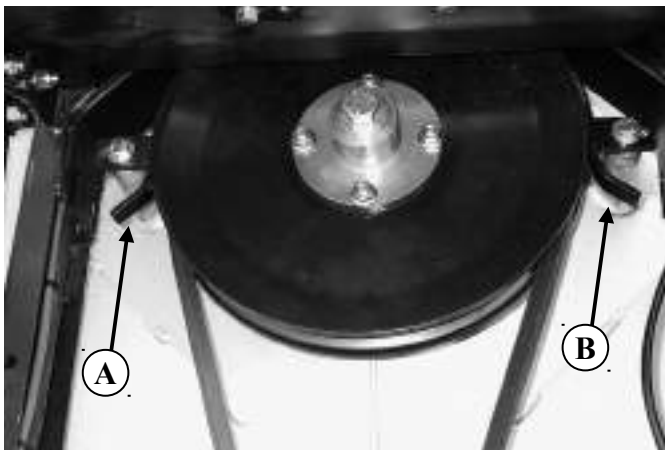


Fig. 12

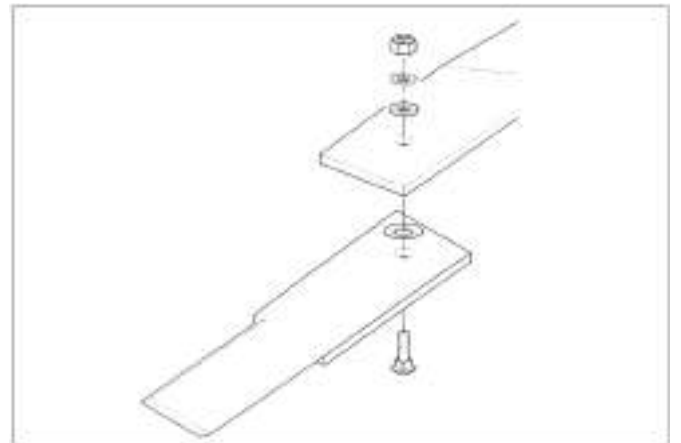


Fig. 13

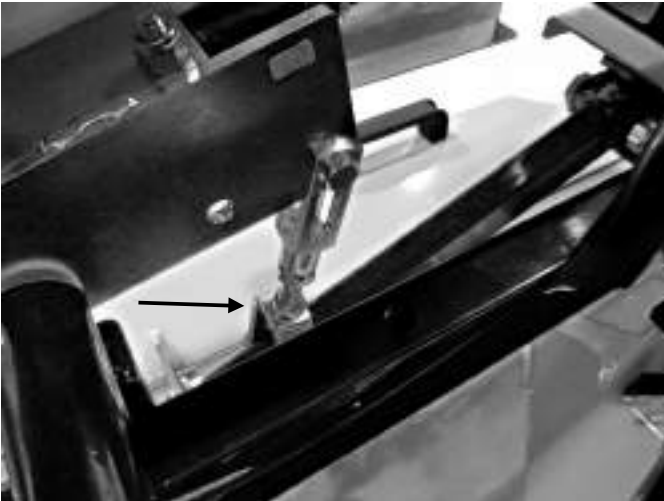


Fig. 14

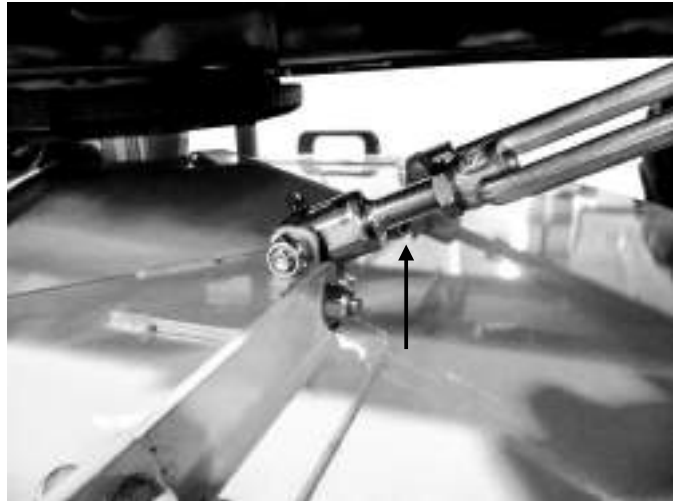


Fig. 14A

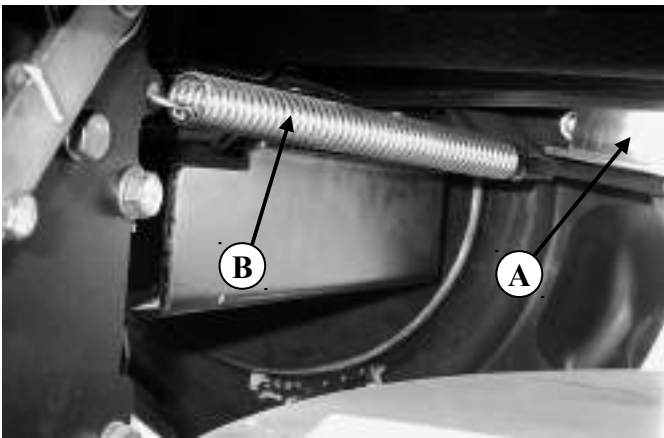


Fig. 15

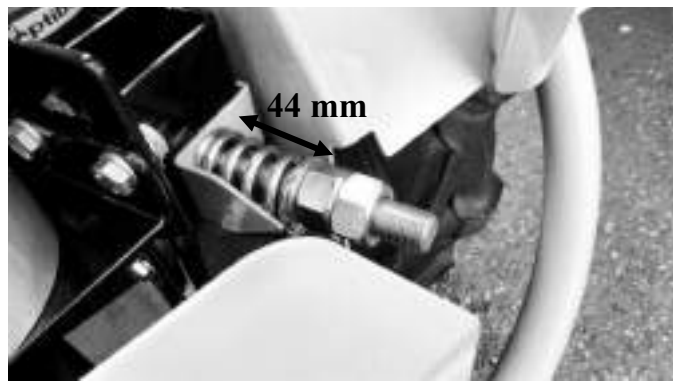


Fig. 16



Fig. 17



Fig. 18

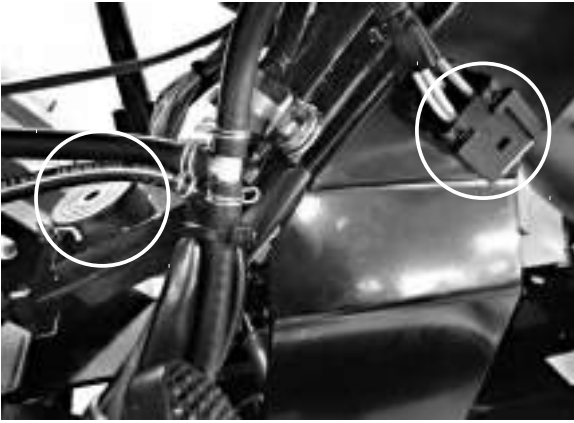


Fig. 19

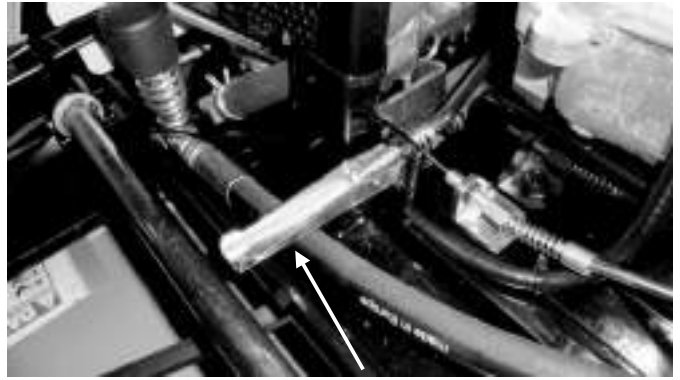


Fig. 20A

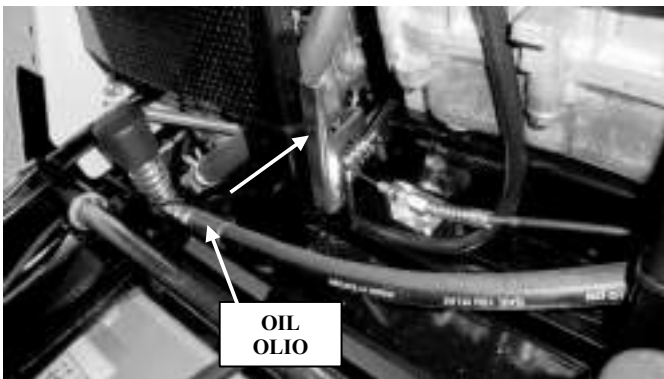


Fig. 20B



Fig. 21



Fig. 22

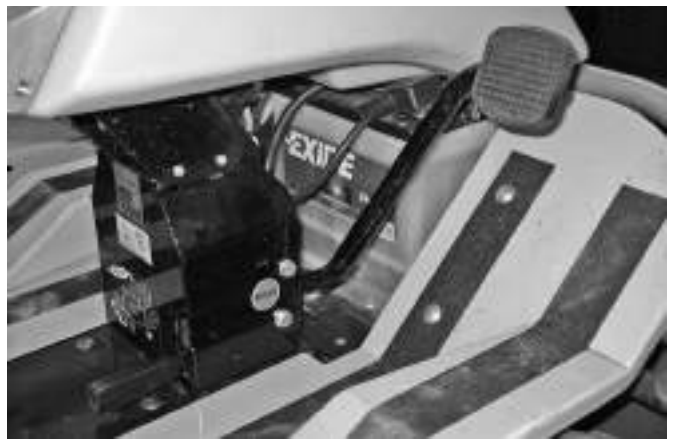


Fig. 23

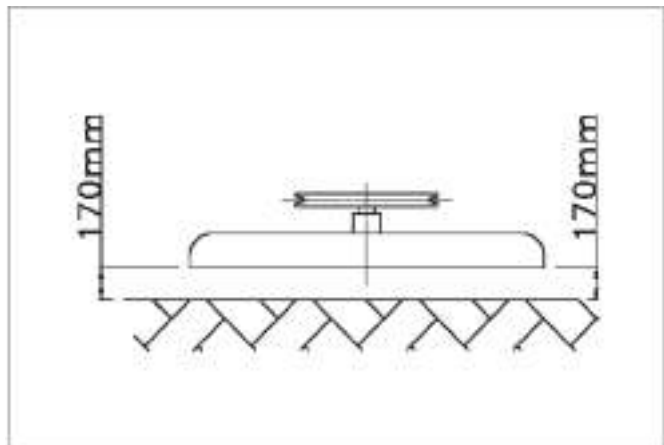


Fig. 24

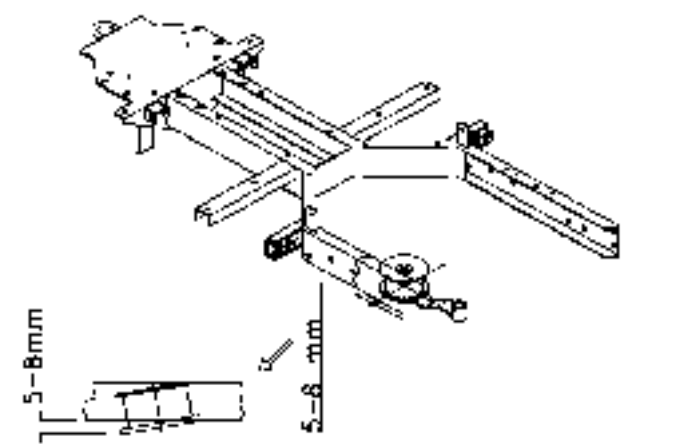
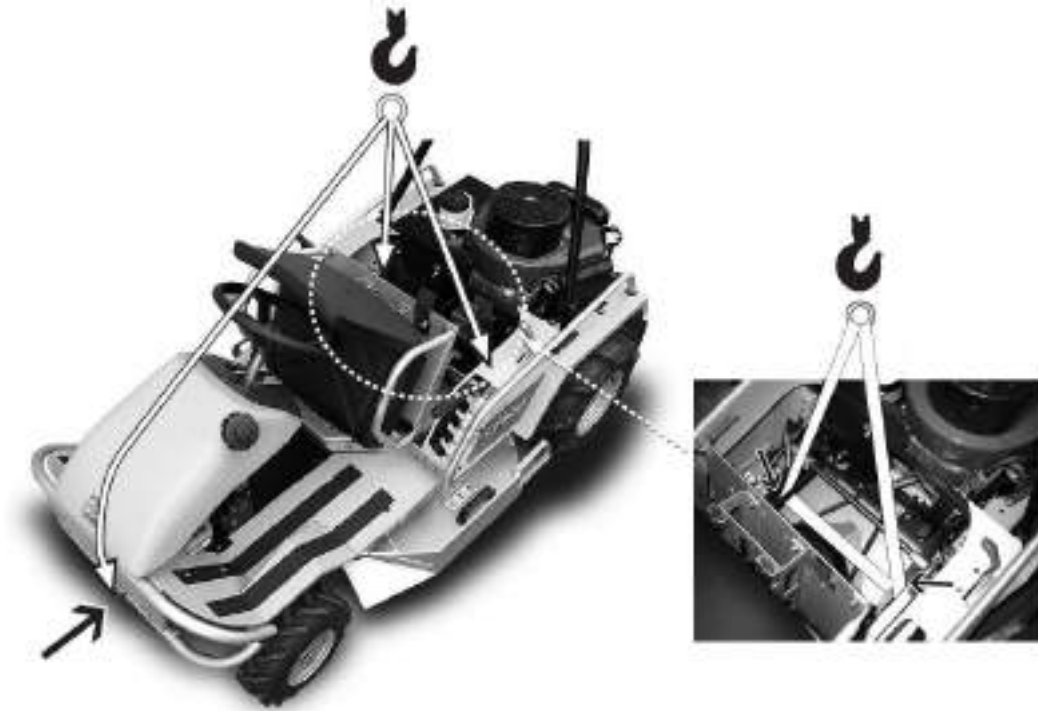
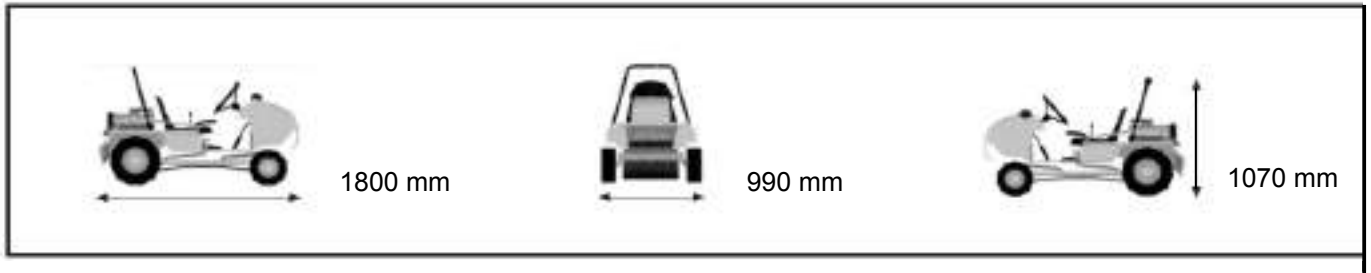


Fig. 25



**WARNING!** This arrow shows the hook-up points for lifting the machine.

**ATTENZIONE!** Le frecce indicano i punti di aggancio per il sollevamento della macchina.

**ATTENTION!** Cette flèche indique les points d'accrochage pour le levage de la machine.

**ACHTUNG!** Mit dieser Pfeil sind die Punkte zum Anheben der Maschine gekennzeichnet.

**ATENCIÓN!** Las flechas indican los puntos de enganche para el levantamiento de la máquina.

## TRANSPORTING

If the machine is transported on a truck or trailer, lower the cutting deck, engage the parking brake and fasten the machine securely with ropes, cables or chains to the hauling device.

### TRASPORTO

Se la macchina viene trasportata con un camion o un rimorchio, abbassare il piatto di taglio, inserire il freno di stazionamento ed assicurarla adeguatamente al mezzo di trasporto mediante funi, cavi o catene.

### TRANSPORT

Si la machine doit être transportée sur un camion ou une remorque, abaisser le plateau de coupe, serrer le frein à main et la fixer solidement sur l'engin de transport avec des cordes, des câbles ou des chaînes.

### TRANSPORT

Wenn die Maschine auf einem Lastwagen oder einem Anhänger transportiert wird, ist das Mähdeck zu senken, die Feststellbremse anzuziehen und die Maschine mit Seilen, Tauen oder Ketten auf dem Transportmittel sicher zu befestigen.

### TRANSPORTE

Si la máquina se transporta con un camión o con un remolque, bajar el plato de corte, inserir el freno de estacionamiento y asegurarla adecuadamente al medio de transporte mediante sogas, cables o cadenas.



**Grillo S.p.A.**

47521 CESENA (ITALY) – Via Cervese 1701

Tel: +39 0547 633111

Fax: +39 0547 632011

Website: [www.grillospa.it](http://www.grillospa.it)

E-mail: [grillo@grillospa.it](mailto:grillo@grillospa.it)

**GRILLO DEUTSCHLAND GmbH**

Pilsener Strasse, 9 - D-86199 Augsburg

Tel: + 49 082126879910

Faxnr.: + 49 01733132860

Webseite: [www.grillodeutschland.de](http://www.grillodeutschland.de)

E-Mail: [grillo@grillodeutschland.de](mailto:grillo@grillodeutschland.de)

**Grillo Agrigarden LTD**

Dove fields Uttoxeter - ST148HU Staffordshire

Tel: + 44 01889569149

Fax no.: + 44 01889592666

Website: [www.grilloagrigarden.co.uk](http://www.grilloagrigarden.co.uk)

E-mail: [info@grilloagrigarden.co.uk](mailto:info@grilloagrigarden.co.uk)