

MAHINDRA

T R A C T O R S

PARTS CATALOGUE

'10' Series

4510C Model

Click here to go on

[INDEX](#)

[Main Menu](#)



Cultivate
Your
DreamsSM

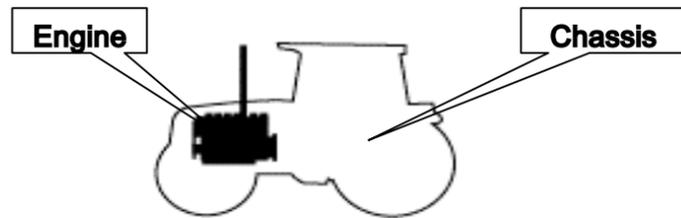
Important tips of Parts Catalogue

We thank you for your purchasing our product, manufactured under strict quality control, by gathering plenty of experiences and new technology, designed for a comfort and pleasant work.

1. Part Composition

This catalogue deals with engine and chassis.

Detailed classifications are listed in the following page.



2. For locating parts easily, Please Note:

A. If you know the assembly where the part is used.

-Refer to the relevant figure from the identifying group symbol illustration,

-Locate the relevant chapter

-Refer to the particular chapter desired.

3. For ordering parts

To obtain spare parts please contact your nearest dealer and give him the details listed below.

① Tractor Model : Tractor

② Tractor Serial Number : W050000

③ Part Number : 16001032000

④ Description : Air cleaner assembly

⑤ Quantity required: 1



4. For ordering PARTS CATALOGUE

This is Priced Item and one is to order the same on part No. 1451 950 001 0

This supersedes all our editions.

Note) When replacing parts, please use original spare parts to be sure of the performance and the longer life of the product

※ The information in this catalogue may at any time be modified without a prior notice for the improvement of performance, please consult our spare parts dept. for the detailed inquiry.

5. How to use parts catalogue

FIG 023 ②	RADIATOR ③	P1 ④	Month/Year ⑤ 08 / 03	①			
NOTE		⑬					
FIG 023 ②	RADIATOR ③	P1 ④	Month / Year ⑤ 07 / 03	①			
KEY NO	PART NO	PART NAME	SPEC	Q'TY	REPAIR	ENG SERIAL NO	REMARKS
023 001	14571042001	RADIATOR SET		1			
023 002	14571042101	RADIATOR SET		1			
023 003	14571042171	SHROUD		1			
023 006	14571042301HB	NET COMP		1			
023 007	V27112	BOLT, WING	M6X12 ⑨	⑩	⑪	⑫	⑭
NOTE		⑬					

① Group Indication : Indicate the relevant location of the part with a symbol illustration.

② Figure Number: Indicate the relevant section of the machine with a figure number.

③ Section Name : Indicate the section name of the machine

④ Section Page : Page number of the section in this catalogue.

⑤ Date : Show the Month/Year of the section made or updated

- ⑥ Key number : Indicating number of each parts in the illustration.
 - ⑦ Part Number : Unique part number maintained in our system
 - The part number starting with V or M means it is TYM's standard part
 - The alphabet at the end of part number means the status of material or the color of paint
- Legend : M:Machining, DG:Dark Gray, BR:Bright Red, SW:Summer White, PB:Pure Black, GB:Glossy Black, SR:Super Red, MS:Metallic Silver
DD:Heat proof Black, TY: Tangerine Yellow etc.

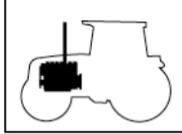
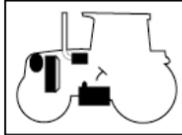
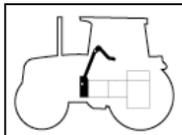
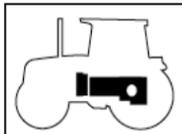
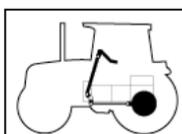
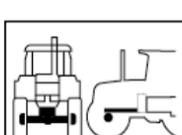
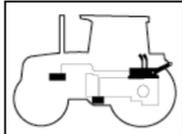
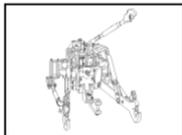
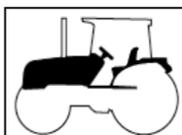
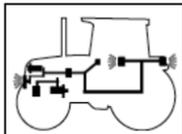
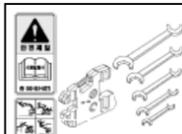
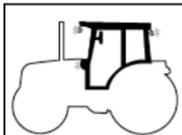
- ⑧ Description : Description of a part, Abbreviation means as follows.
 - Indicate the mixture condition of a part
 - ASSY : Assembly with a mixture of several parts, so can be broke up retaining their original form
 - COMP : Assembly with a mixture of several parts, but can not be broke up retaining their original form
 - SUB : mean the same as ASSY but used in lower level in aid.
 - SET : Part consist of ASSY, COMP, and part(s) as a group
 - Indicate the location of a part
 - LH: Left, RH: Right, FR: Front, RR: Rear, UPR: Upper, LOW: Lower

- ⑨ Type : Type of the standard items like bolt or nut
- ⑩ Quantity : Total quantity of the part referred to in the page.
 - Symbol below indicate options. So, show the quantity of each option.
 - Note) AR means as requested quantity.
- ⑪ Repair Parts consumption frequency class: indicate the level of a part in aid of stocking spares, anticipating the service requirements.
 - A :Fast moving part(frequently required)
 - B :Medium moving part (sometimes required)
 - C :Slow moving part(rarely required)

- ⑫ Modification :
 - Year/Month~ : From which the change starts
 - ~ Year/Month : To which the part installed

- ⑬ Notes : explain some reference data
- ⑭ Remark : indicate reference data or abbreviation in the content.

ENGINEERING GROUP INDEX

<div style="display: flex; align-items: center; margin-bottom: 10px;">  <div style="margin-left: 10px;"> 1 ENGINE </div> </div> <div style="display: flex; align-items: center; margin-bottom: 10px;">  <div style="margin-left: 10px;"> 2 ENGINE ACCESSORIES & CONTROL </div> </div> <div style="display: flex; align-items: center; margin-bottom: 10px;">  <div style="margin-left: 10px;"> 3 CLUTCH & CONTROL </div> </div> <div style="display: flex; align-items: center; margin-bottom: 10px;">  <div style="margin-left: 10px;"> 4 TRANSMISSION & REAR AXLE </div> </div> <div style="display: flex; align-items: center; margin-bottom: 10px;">  <div style="margin-left: 10px;"> 5 BRAKE & CONTROL </div> </div> <div style="display: flex; align-items: center; margin-bottom: 10px;">  <div style="margin-left: 10px;"> 6 TIRE,RIM & POWER STEERING </div> </div> <div style="display: flex; align-items: center; margin-bottom: 10px;">  <div style="margin-left: 10px;"> 7 FRONT AXLE,SUPPORTER & DRIVE SHAFT </div> </div>	<div style="display: flex; align-items: center; margin-bottom: 10px;">  <div style="margin-left: 10px;"> 8 HYDRAULICS </div> </div> <div style="display: flex; align-items: center; margin-bottom: 10px;">  <div style="margin-left: 10px;"> 9 3- POINT LINK </div> </div> <div style="display: flex; align-items: center; margin-bottom: 10px;">  <div style="margin-left: 10px;"> 10 SHEET METAL & SEAT </div> </div> <div style="display: flex; align-items: center; margin-bottom: 10px;">  <div style="margin-left: 10px;"> 11 ELECTRICALS & HARNESS </div> </div> <div style="display: flex; align-items: center; margin-bottom: 10px;">  <div style="margin-left: 10px;"> 12 WEIGHT, LABEL & TOOLS </div> </div> <div style="display: flex; align-items: center; margin-bottom: 10px;">  <div style="margin-left: 10px;"> 13 CABIN </div> </div> <div style="display: flex; align-items: center;"> <table border="1" style="font-size: 8px; border-collapse: collapse; margin-right: 10px;"> <tr><td>067 020</td><td>12305180020</td></tr> <tr><td>077 036</td><td>12403160020</td></tr> <tr><td>036 005</td><td>13022250030</td></tr> <tr><td>037 010</td><td>13022250131</td></tr> <tr><td>041 005</td><td>13022250232</td></tr> <tr><td>046 002</td><td>13022250333</td></tr> </table> <div style="margin-left: 10px;"> 14 NUMERICAL INDEX </div> </div>	067 020	12305180020	077 036	12403160020	036 005	13022250030	037 010	13022250131	041 005	13022250232	046 002	13022250333
067 020	12305180020												
077 036	12403160020												
036 005	13022250030												
037 010	13022250131												
041 005	13022250232												
046 002	13022250333												

CONTENTS

ENGINE

1 ENGINE(4A220 -DY) PART NO. : 1451 100 200 0

FIG 010 CYLINDER BLOCK GROUP	4
FIG 020 OIL PAN GROUP.....	6
FIG 030 CYLINDER HEAD GROUP.....	8
FIG 040 GEAR CASE GROUP.....	10
FIG 050 MAIN BEARING CASE GROUP.....	12
FIG 080 VALVE & ROCKER ARM GROUP.....	14
FIG 090 CYLINDER HEAD COVER GROUP.....	16
FIG 100 CAMSHAFT GROUP.....	18
FIG 110 PISTON CRANKSHAFT GROUP.....	20
FIG 120 FLYWHEEL GROUP.....	22
FIG 130 NOZZLE HOLDER GROUP.....	24
FIG 140 FUEL CAMSHAFT GROUP.....	26
FIG 150 SPEED CONTROL LEVER GROUP.....	28
FIG 160 ENGINE STOP LEVER GROUP.....	30
FIG 170 GOVERNOR GROUP.....	32
FIG 180 WATER PUMP GROUP.....	34
FIG 190 WATER PIPE GROUP.....	36
FIG 200 DYNAMO GROUP.....	38
FIG 220 MANIFOLD GROUP.....	40
FIG 240 OPTION GROUP.....	42

CHASSIS

2 ENGINE ACCESSORIES & CONTROL

FIG 022 AIR CLEANER-----	48
FIG 023 RADIATOR-----	50
FIG 024 MUFFLER-----	52
FIG 025 FUEL TANK-----	54
FIG 026 SUB FUEL TANK-----	56
FIG 027 ACCELERATOR-----	58

3 CLUTCH & CONTROL

FIG 029 CLUTCH-----	64
FIG 030 CLUTCH PEDAL-----	66

4 TRANSMISSION & REAR AXLE

FIG 031 TRANSMISSION FRONT CASE-----	72
FIG 032 INPUT & COUNTER GEARS-----	74
FIG 033 MAIN & CHANGE GEARS-----	76
FIG 034 REVERSE GEARS-----	78
FIG 036 P.T.O DRIVE SHAFT-----	80
FIG 037 MAIN CHANGE LEVER-----	82
FIG 038 REVERSE CHANGE LEVER-----	84
FIG 039 TRANSMISSION MID CASE-----	86
FIG 043 TRANSMISSION REAR CASE-----	88
FIG 044 SUB CHANGE GEARS-----	90
FIG 045 SUB CHANGE LEVER-----	92
FIG 047 4WD DRIVE GEARS-----	94
FIG 050 4WD CHANGE LEVER-----	96

FIG 051 P.T.O CHANGE GEARS-----	98
FIG 052 P.T.O CHANGE LINKAGE-----	100
FIG 053 P.T.O CHANGE LEVER-----	102
FIG 054 REAR DIFFERENTIAL GEARS-----	104
FIG 055 REAR AXLE & HOUSINGS-----	106

5 BRAKE & CONTROL

FIG 056 BRAKE -----	112
FIG 057 BRAKE PEDAL & LINKAGE-----	114

6 TIRE, RIM & POWER STEERING

FIG 058 REAR WHEEL MOUNTING-----	120
FIG 059 STEERING WHEEL-----	122
FIG 062 STEERING VALVE & CYLINDER-----	124
FIG 068 FRONT WHEEL MOUNTING-----	126

7 FRONT AXLE

FIG 063 FRONT AXLE BRACKET-----	132
FIG 064 FRONT DIFFERENTIAL GEARS & SHAFT-----	134
FIG 065 FRONT AXLE HOUSING-----	136
FIG 066 FRONT GEAR CASE (1)-----	138
FIG 067 FRONT GEAR CASE (2)-----	140

CONTENTS

8 HYDRAULIC

FIG 061 GEAR PUMP-----	146
FIG 069 CYLINDER CASE-----	148
FIG 070 LIFT ARM-----	150
FIG 071 CYLINDER-----	152
FIG 073 POSITION LINK-----	154
FIG 075 CONTROL VALVE-----	156
FIG 076 DRAFT LINK-----	158
FIG 077 POSITION & DRAFT LEVER-----	160
FIG 081 HYDRAULIC PIPE (1)-----	162
FIG 082 HYDRAULIC PIPE (2)-DRUM TYPE-----	164
FIG 082A HYDRAULIC PIPE (2)-SPIN ON TYPE-----	166
FIG 083 P.T.O VALVE & RELIEF VALVE-----	168
FIG 128 EXTERIOR HYD.VALVE-----	170

9 3-POINT LINK

FIG 084 LINK BRACKET-----	176
FIG 085 HITCH & 3-POINT LINK-----	178
FIG 086 LOWER LINK & LIFT ROD-----	182

10 SHEET METAL & SEAT

FIG 090 BONNET (1)-----	188
FIG 091 BONNET (2)-----	192
FIG 092 SIDE COVER-----	194
FIG 093 LEVER COVER-----	196
FIG 094 FRONT & REAR MOUNTING-----	198
FIG 095 FLOOR & SEAT-----	200

11 ELECTRICALS & HARNESS

FIG 099 BATTERY & MOUNTING-----	206
FIG 100 LIGHTS-----	208
FIG 101 INSTRUMENT PANEL-----	210
FIG 102 ELECTRIC SYSTEM-----	212
FIG 105 P.T.O CONTROL SWITCH-----	214
FIG 106 HARNESS (1)-----	216
FIG 108 HARNESS (2)-----	218

12 WEIGHT, LABEL & TOOLS

FIG 124 TOOL & ACCESSORY-----	224
FIG 146 LABEL-----	226
FIG 157 WEIGHT-----	230

13 CABIN

FIG 160 FRAME & REAR GLASS-----	236
FIG 161 SIDE GLASS-----	238
FIG 162 DOOR-----	240
FIG 163 FRONT GLASS-----	242
FIG 164 FENDER & COVER-----	244
FIG 165 CONTROL COVER-----	246
FIG 166 ROOF-----	248
FIG 167 INTER PARTS-----	250
FIG 168 HEATER & AIR-CON-----	252

14 NUMERICAL INDEX

ENGINE(4A220DY)-----	259
CHASSIS-----	262



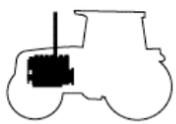
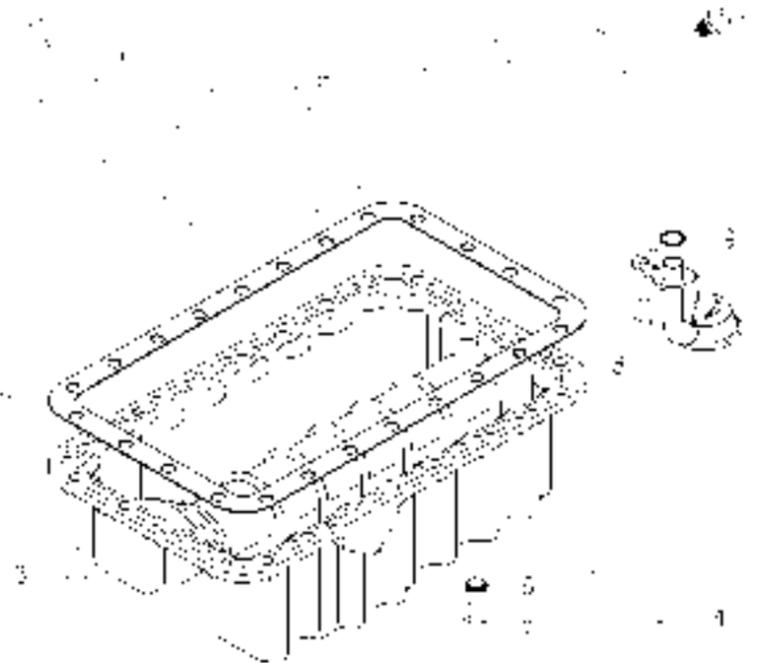
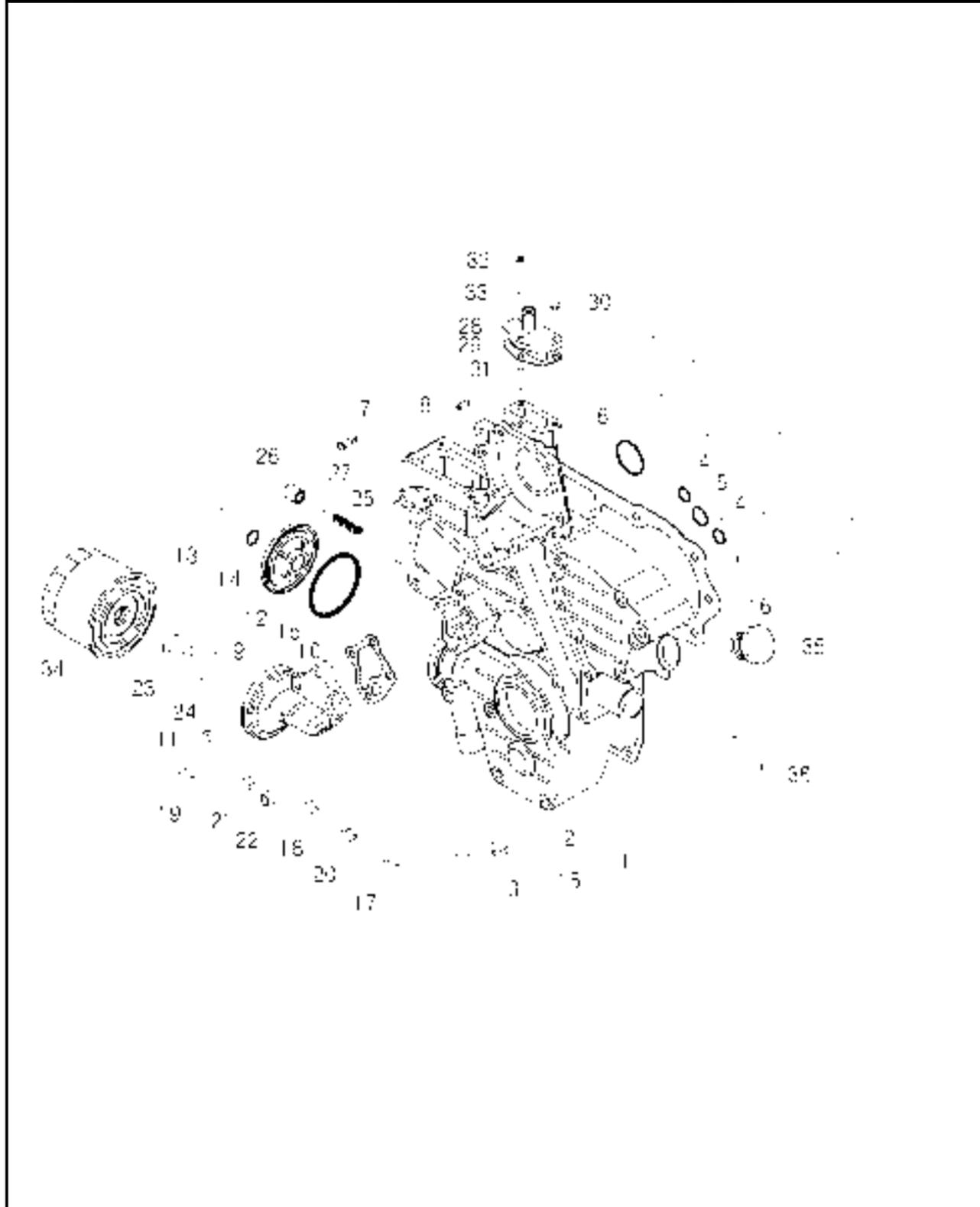
FIG 020 4510C	OIL PAN GROUP	P1	Month/Year	
			01 / 2004	
				
NOTE	4A220-DY			

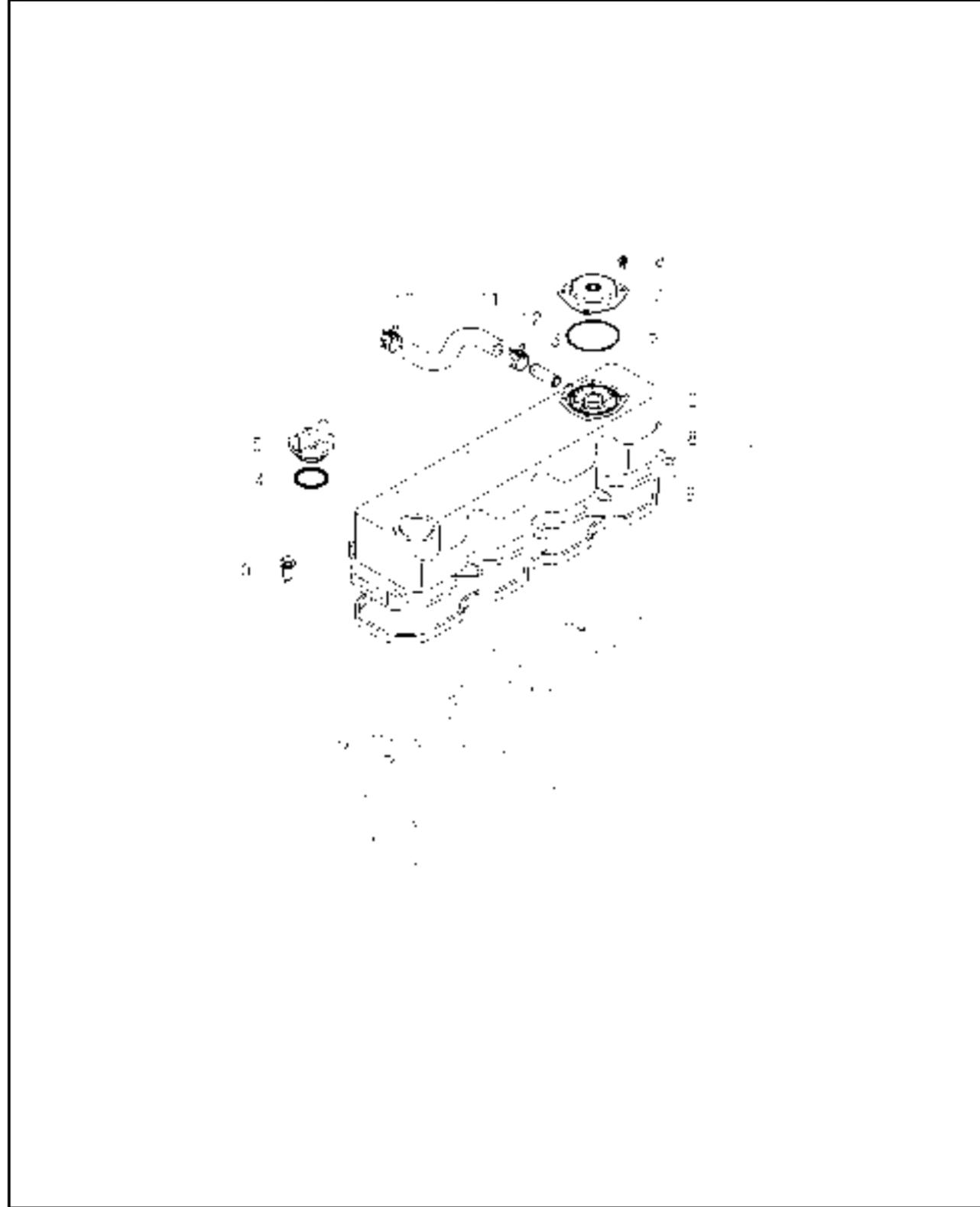
FIG 020 4510C	OIL PAN GROUP	P1	Month / Year				
			01 / 2004				
KEY NO.	PART NO.	DESCRIPTION	SPEC.	QTY.	REPAIR	E/G SERIAL NO.	REMARKS
020 001	E6200-A0071	OIL PAN ASSEMBLY		1	C		
020 002	E6200-01623	OIL PAN GASKET		1	B		
020 003	01674-51032	FLANGE BOLT WITH PIN		22	B		
020 004	E6200-91092	BOLT WITH WASHER		2			
020 005	15221-3375-2	PLUG		2	B		
020 006	04717-01200	SEAL WASHER		2			
020 007	E6200-32112	OIL FILTER 1		1	A		
020 008	01654-50820	FLANGE BOLT WITH PIN		1			
020 009	04811-00160	O RING		1			
020 010	E6305-36411	OIL GAUGE		1			
NOTE	4A220-DY						



NOTE 4A220-DY

KEY NO.	PART NO.	DESCRIPTION	SPEC.	QTY.	REPAIR	E/G SERIAL NO.	REMARKS
040 001	E6306-A0016	GEARCASE ASSEMBLY		1	C		
040 002	E5612-04112	GEARCASE		1			
040 003	E5800-96031	PLUG		1			
040 004	04811-00150	O RING		1			
040 005	04811-00200	O RING		1	B		
040 006	04811-00360	O RING		1	B		
040 007	15221-5628-2	START SPRING PIN		1			
040 008	05012-00612	STRAIGHT PIN		1			
040 009	E6500-32612	OIL FILTER SUPPORT		1	B		
040 010	E5800-32621	GASKET		1			
040 011	01123-50825	BOLT WITH WASHER		1			
040 012	E5800-32882	COVER		1			
040 013	E5800-32912	COVER BOLT		1			
040 014	04811-00150	O RING		1			
040 015	E5800-96831	O RING		1			
040 016	E5800-04133	GEARCASE GASKET		1	B		
040 017	01123-50860	BOLT WITH WASHER		1			
040 018	01123-50870	BOLT WITH WASHER		1			
040 019	01123-50875	BOLT WITH WASHER		1			
040 020	01123-50880	BOLT WITH WASHER		1			
040 021	01123-50885	BOLT WITH WASHER		1			
040 022	01754-50801	FLANGE BOLT		1			
040 023	15521-3229-1	JOINT PIPE		1	B		
040 024	04011-50180	PLAIN WASHER		1			
040 025	15241-3695-2	SPRING		1			
040 026	E5500-36932	VALVE SEAT		1			
040 027	07715-03213	STEEL BALL		1			
040 028	15521-7332-1	WATER RETURN FLANGE		1			
040 029	15521-7333-1	WATER RETURN FLANGE GASKET		1	B		
040 030	01023-50620	BOLT WITH WASHER		2			
040 031	01513-50616	STUD		1			
040 032	02056-50060	NUT		1			
040 033	04512-50060	SPRING WASHER		1			
040 034	E6201-32443	OIL FILTER		1	A		
040 035	E5800-33143	OIL PLUG		1			
040 036	E6300-11912	WATER PIPE COVER		1			

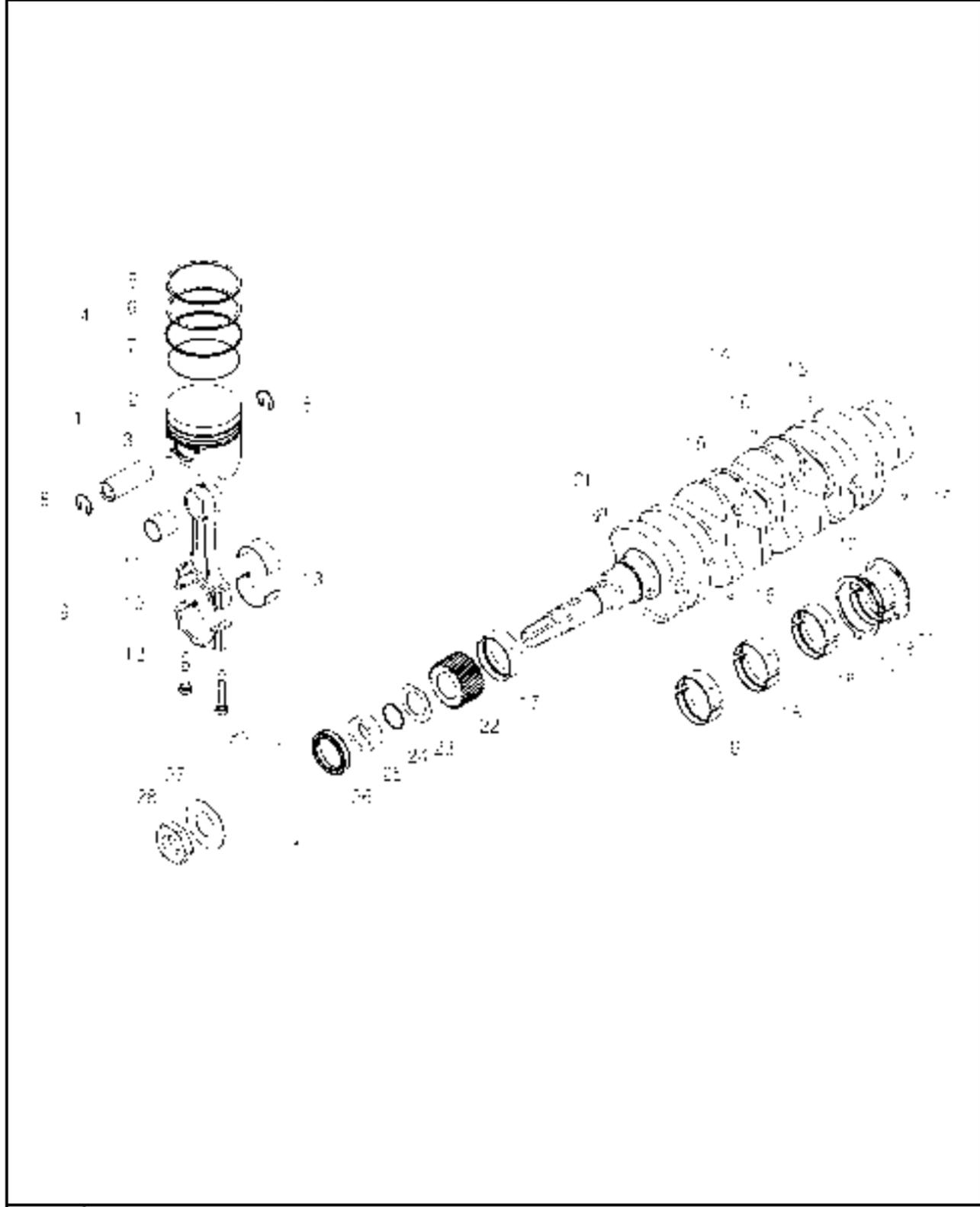
NOTE 4A220-DY



NOTE 4A220-DY

KEY NO.	PART NO.	DESCRIPTION	SPEC.	QTY.	REPAIR	E/G SERIAL NO.	REMARKS
090 001	E6510-14502	CYLINDER HEAD COVER ASSEMBLY		1	C		
090 002	E6510-14512	CYLINDER HEAD COVER		1			
090 003	E6510-05551	BREATHER PIPE CONNECTOR		1			
090 004	04811-50300	O RING		1			
090 005	E5500-33142	OIL FILLER PLUG		1			
090 006	E6510-14671	O RING		1			
090 007	E6510-14532	VALVE COVER		1			
090 008	03024-50510	SCREW		4			
090 009	E6200-14523	CYLINDER HEAD COVER GASKET		1			
090 010	E6510-33661	HEAD COVER BOLT		10			
090 011	E6510-05511	AIR BREATHER PIPE		1			
090 012	09318-88180	BAND		2			

NOTE 4A220-DY



NOTE	4A220-DY
------	----------

KEY NO.	PART NO.	DESCRIPTION	SPEC.	QTY.	REPAIR	E/G SERIAL NO.	REMARKS
110 001	E6301-21016	PISTON ASSEMBLY		4	B		
110 002	E6301-21114	PISTON		4			
110 003	E6300-21313	PISTON PIN		4			
110 004	E6301-21053	PISTON RING ASSEMBLY		4	B		
110 005	E6301-21152	PISTON RING 1		4			
110 006	E6300-21162	PISTON RING 2		4			
110 007	E6301-21202	OIL RING ASSEMBLY		4			
110 008	E6300-21332	CIR-CLIP		8			
110 009	E6300-22015	CONNECTING ROD ASSEMBLY		4	C		
110 010	E6300-22113	CONNECTING ROD		4			
110 011	E6300-21353	BUSH		4			
110 012	E5500-22142	CONNECTING ROD BOLT		8	B		
110 013	E6300-22312	CRANK PIN METAL		8	B		
110 014	E5800-A0091	CRANK SHAFT ASSEMBLY		1	C		
110 015	E6305-23113	CRANKSHAFT		1			
110 016	07715-00401	STEEL BALL		4			
110 017	E6200-23472	CRANKSHAFT METAL 1		1	B		
110 018	E6200-23482	CRANKSHAFT METAL 2		8	B		
110 019	15521-2353-1	SIDE METAL 1		2	B		
110 020	19202-2354-1	SIDE METAL 2		2	B		
110 021	05712-00720	KEY		1			
110 022	E6200-24112	CRANKSHAFT GEAR		1	B		
110 023	15471-2331-1	OIL SLINGER		1			
110 024	04811-10300	O RING		1	B		
110 025	E6510-23251	CRANKSHAFT COLLAR		1	B		
110 026	E5500-11302	OIL SEAL		1	B		
110 027	E5500-23382	CRANKSHAFT WASHER		1	B		
110 028	15221-2336-1	CRANKSHAFT NUT		1			

NOTE	4A220-DY
------	----------

FIG 120

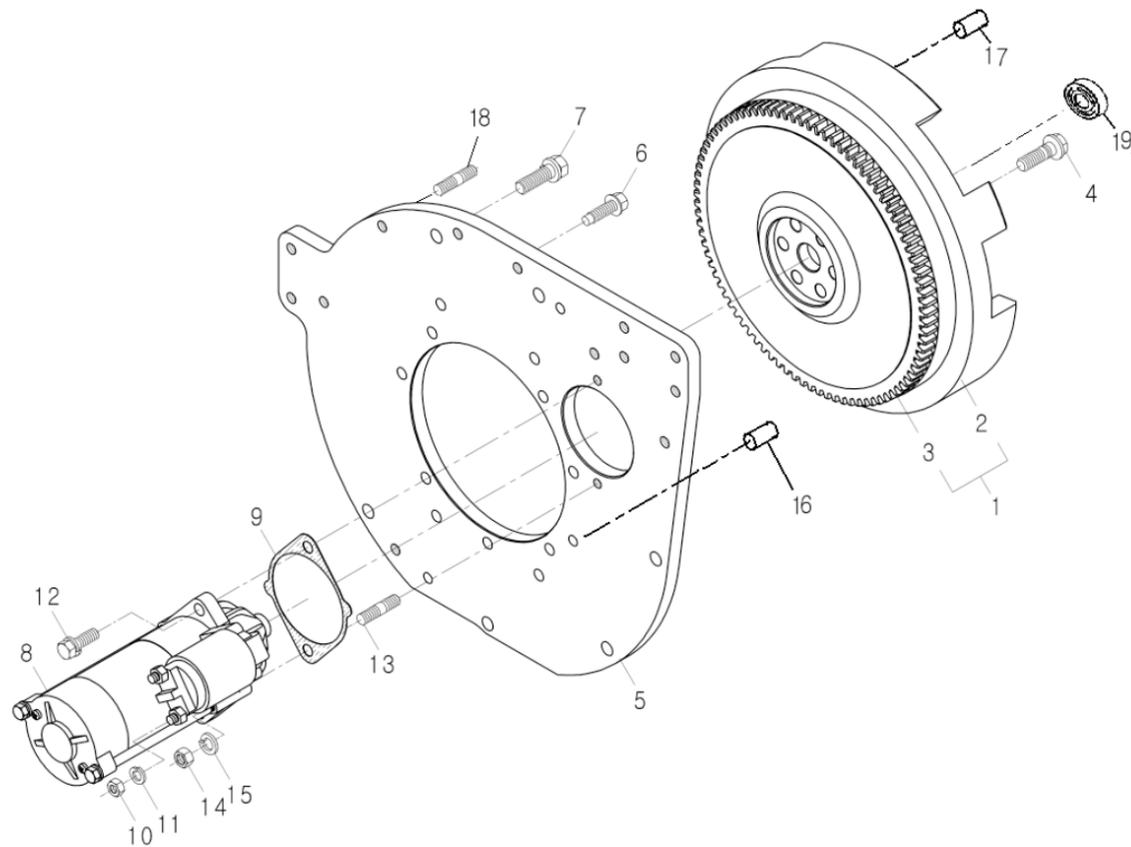
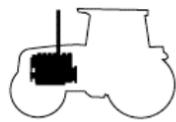
FLYWHEEL GROUP

4510C

P1

Month/Year

01 / 2004



NOTE 4A220-DY

FIG 120

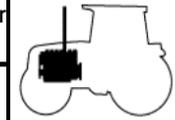
FLYWHEEL GROUP

4510C

P1

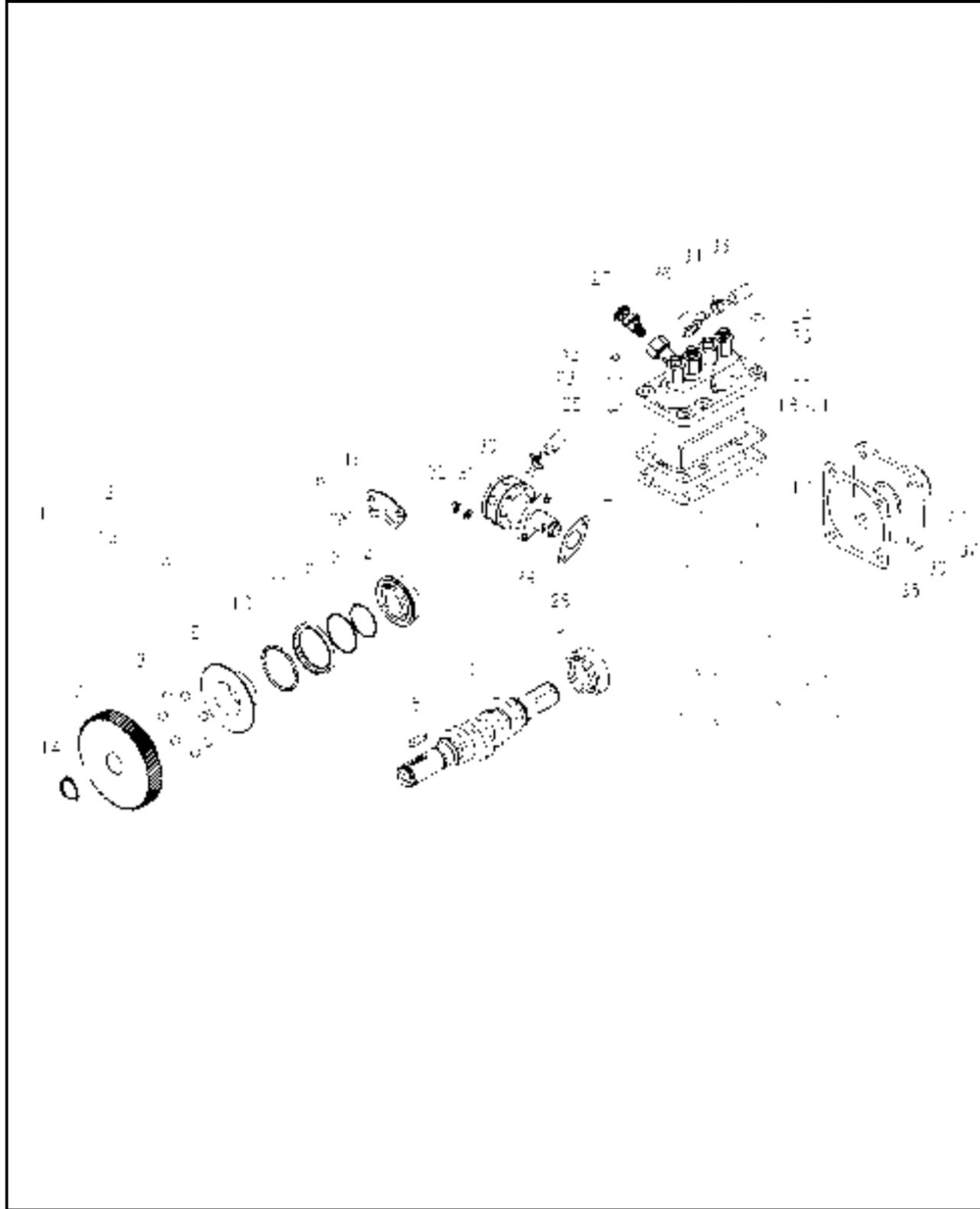
Month / Year

01 / 2004



KEY NO.	PART NO.	DESCRIPTION	SPEC.	QTY.	REPAIR/G	SERIAL NO	REMARKS
120 001	E6536-25013	FLYWHEEL ASSEMBLY		1	C		
120 002	E6536-25112	FLYWHEEL		1			
120 003	15221-6382-4	RING GEAR		1	B		
120 004	E5500-25164	FLYWHEEL BOLT		6	B		
120 005	E6306-04612	REAR END PLATE		1	B		
120 006	01674-51032	FLANGE BOLT WITH PIN		11	B		
120 007	01133-51235	BOLT WITH WASHER		2			
120 008	E5500-63015	STARTER		1	C		
120 009	E6200-04622	GASKET		1	B		
120 010	02114-50080	NUT		1			
120 011	04512-50080	SPRING WASHER		1			
120 012	01133-51030	BOLT WITH WASHER		1			
120 013	01517-51028	STUD		1			
120 014	02176-50100	NUT		1			
120 015	04512-50100	SPRING WASHER		1			
120 016	V5201010020	PIN-PARALLEL/A		1			TYM
120 017	V5201008020	PIN-PARALLEL/A		3			TYM
120 018	16733412040	BOLT-STUD		2			TYM
120 019	15001106804	BEARING-BALL		1			TYM

NOTE 4A220-DY



NOTE 4A220-DY

KEY NO.	PART NO.	DESCRIPTION	SPEC.	QTY.	REPAIR	E/G SERIAL NO.	REMARKS
140 001	E6301-16029	FUEL CAMSHAFT ASSEMBLY		1	C		
140 002	E6301-16177	FUEL CAMSHAFT		1	C		
140 003	08240-00001	BALL BEARING		1			
140 004	08153-06205	BALL BEARING		1			
140 005	05712-00525	KEY		1	B		
140 006	E6300-A0011	GOVERNOR SLEEVE ASSEMBLY		1	C		
140 007	E6300-51152	INJECTION PUMP GEAR		1			
140 008	07715-00403	STEEL BALL		7			
140 009	E6300-55452	GOVERNOR SLEEVE		1			
140 010	07715-03205	STEEL BALL		39			
140 011	15221-5569-2	GOVERNOR BALL CASE		1			
140 012	15221-5574-1	BALL CASE CIR-CLIP		1			
140 013	15221-5547-1	CIR-CLIP		1			
140 014	04612-00240	SNAP RING		1			
140 015	15221-1632-1	FUEL CAMSHAFT STOPPER		1			
140 016	01123-50814	BOLT WITH WASHER		2			
140 017	01513-50822	STUD		2			
140 018	E6300-52111	INJECTION PUMP SHIM (T0.45)		4			
140 019	15471-5211-1	INJECTION PUMP SHIM 1(T0.3)		-			
140 020	15401-5211-2	INJECTION PUMP SHIM 2(T0.15)		-	B		
140 021	E6301-52111	INJECTION PUMP SHIM 3(T0.1)		-			
140 022	E6301-51012	INJECTION PUMP ASSEMBLY		1	C		
140 023	04512-50080	SPRING WASHER		2			
140 024	02156-50080	NUT		2			
140 025	01123-50822	BOLT WITH WASHER		4			
140 026	E5500-42412	FUEL PIPE JOINT		1			
140 027	84612-6050-0	JET START COCK ASSEMBLY		1	B		
140 028	01513-50618	STUD		2			
140 029	15241-5214-1	FUEL PUMP GASKET		1	B		
140 030	15381-5203-0	FUEL PUMP ASSEMBLY		1	C		
140 031	04512-50060	SPRING WASHER		2			
140 032	02056-50060	NUT		2			
140 033	15471-4211-1	FUEL HOSE		1			
140 034	14911-4275-1	CLIP		2			
140 035	T4240-36332	FUEL CAMSHAFT COVER GASKET		1	B		
140 036	E6200-16213	FUEL CAMSHAFT COVER		1			
140 037	01123-50818	BOLT WITH WASHER		4			

NOTE 4A220-DY



NOTE 4A220-DY

KEY NO.	PART NO.	DESCRIPTION	SPEC.	QTY.	REPAIR	E/G SERIAL NO.	REMARKS
160 001	E6200-54252	ADJUSTING BOLT		1			
160 002	15521-5426-1	SPRING		1			
160 003	15471-9201-1	NUT		1			
160 004	04811-00060	O RING		1			
160 005	15521-5427-1	CAP		1			
160 006	E6300-57743	LEVER SHAFT		1			
160 007	E6200-57922	SPRING		1			
160 008	15221-5166-1	PUMP COVER GASKET		1	B		
160 009	E6200-51654	FUEL INJECTION PUMP COVER		1			
160 010	15471-5798-1	OIL SEAL		1	B		
160 011	E6200-57731	ENGINE STOP LEVER		1	B		
160 012	05411-00420	SPRING PIN		1			
160 013	E5800-60111	SOLENOID SUPPORT		1			
160 014	E6306-57481	WIRE HOLDER		1			
160 015	01023-50620	BOLT WITH WASHER		4			
160 016	E5753-60015	STOP SOLENOID ASSEMBLY		1	B		
160 017	01125-50816	BOLT WITH WASHER		2			
160 018	T4240-32642	STOP LEVER 1		1			
160 019	15471-6016-2	STOP LEVER 2		1	B		
160 020	04012-50060	PLAIN WASHER		3			
160 021	05525-50600	SNAP PIN		3			

NOTE 4A220-DY

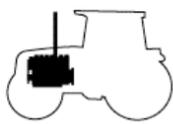
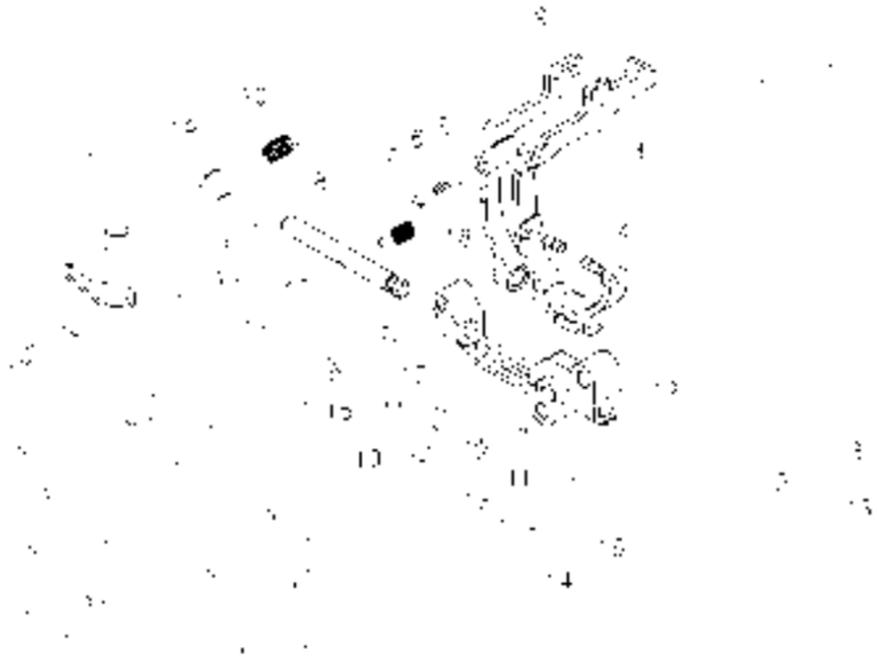
FIG 170 4510C	GOVERNOR GROUP	P1	Month/Year	
			01 / 2004	
				
NOTE	4A220-DY			

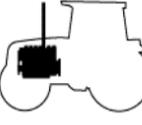
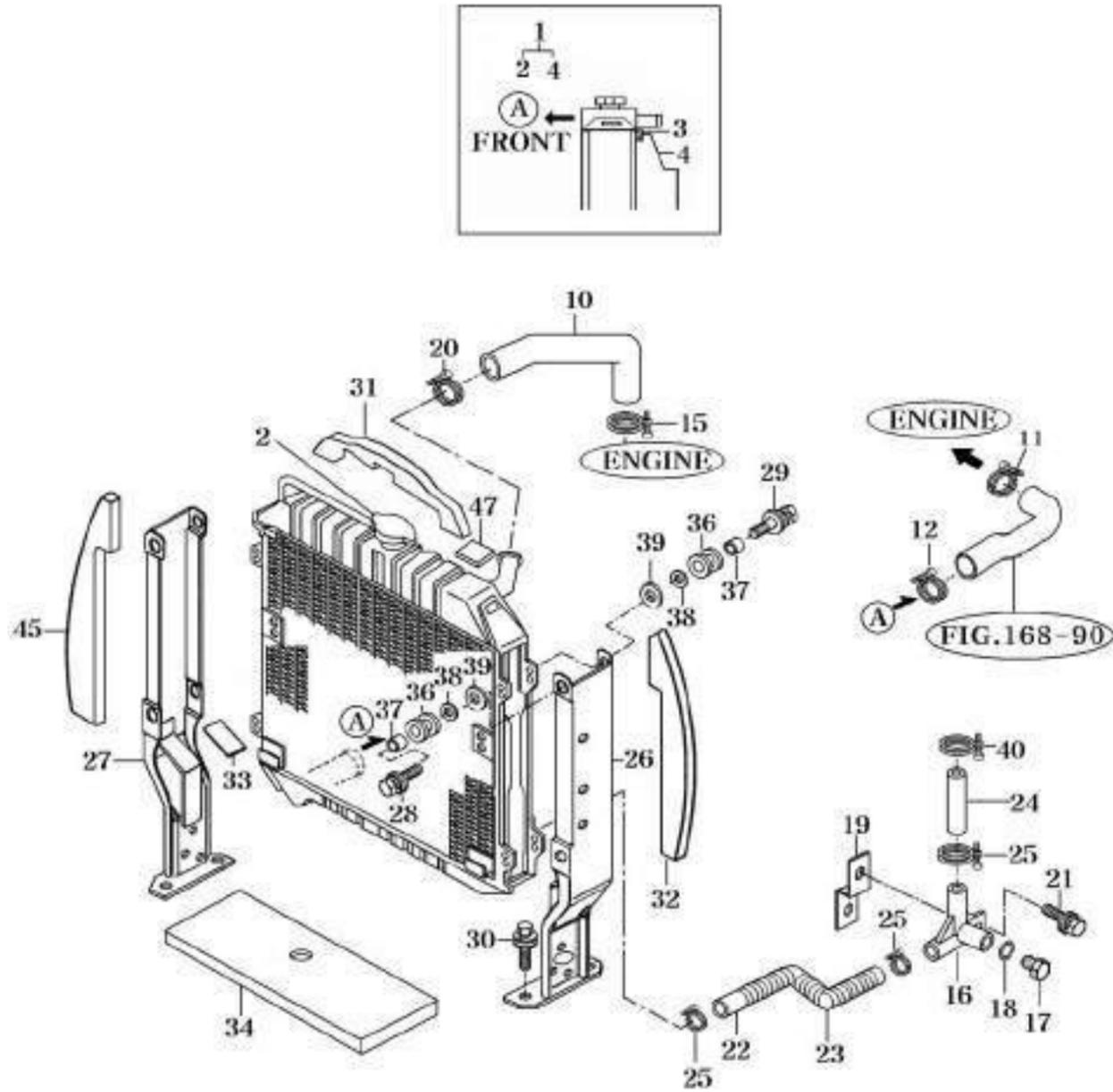
FIG 170 4510C	GOVERNOR GROUP	P1	Month / Year				
			01 / 2004				
KEY NO.	PART NO.	DESCRIPTION	SPEC.	QTY.	REPAIR	E/G SERIAL NO.	REMARKS
170 001	15601-5602-1	GOVERNOR LEVER ASSEMBLY		1	C		
170 002	E6300-56053	FORK LEVER ASSEMBLY		1			
170 003	E6300-56122	FORK LEVER 1		1			
170 004	15021-5616-4	FORK LEVER PIN 1		2			
170 005	E6200-54172	PIN		1			
170 006	E6300-54231	SPRING		1			
170 007	15601-5443-1	SET SCREW		1			
170 008	15221-5615-1	FORK LEVER SHAFT		1			
170 009	E6300-56131	FORK LEVER 2		1			
170 010	15021-5624-3	LEVER SHAFT BOLT		1			
170 011	04512-50060	SPRING WASHER		2			
170 012	15221-5623-5	FORK LEVER HOLDER		1			
170 013	15221-6641-1	BOLT		1			
170 014	01123-50832	BOLT WITH WASHER		2			
170 015	01023-50628	BOLT WITH WASHER		1			
170 016	04012-50080	PLAIN WASHER		2			
170 017	04012-50060	PLAIN WASHER		1			
170 018	E6300-56481	START SPRING		1	B		
170 019	E6300-56414	GOVERNOR SPRING 1		1	B		
170 020	E6313-56421	GOVERNOR SPRING 2		1	B		
NOTE 4A220-DY							

FIG 190 4510C	WATER PIPE GROUP	P1	Month/Year	
			01 / 2004	
				
NOTE	4A220-DY			

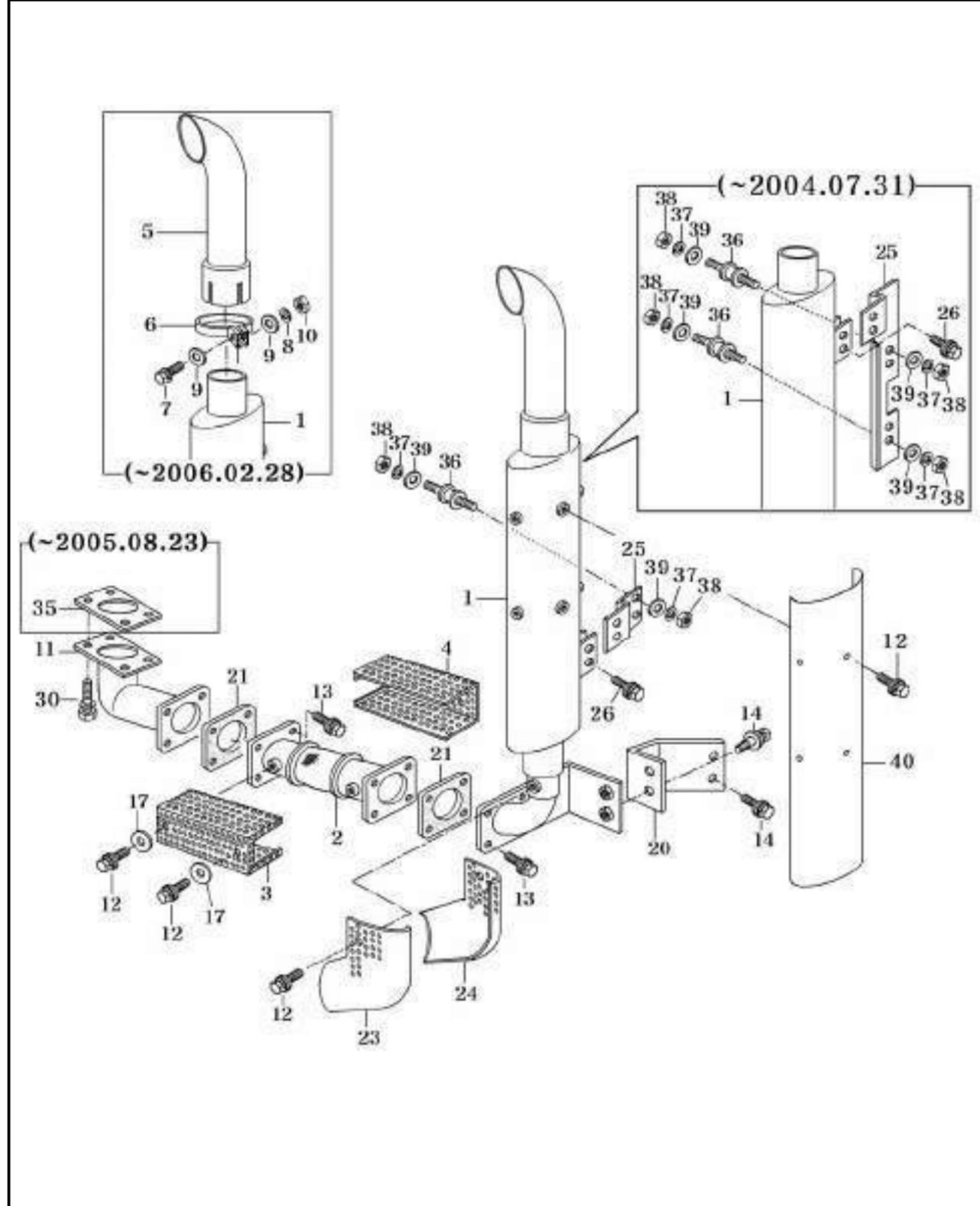
FIG 190 4510C	P1	Month / Year					
		01 / 2004					
KEY NO.	PART NO.	DESCRIPTION	SPEC.	QTY.	REPAIR	E/G SERIAL NO.	REMARKS
190 001	E6306-72911	WATER FLANGE		1			
190 002	15521-7292-1	WATER FLANGE GASKET		1	B		
190 003	01123-50822	BOLT WITH WASHER		2			
190 004	01513-50822	STUD		1			
190 005	01123-50870	BOLT WITH WASHER		1			
190 006	02156-50080	NUT		1			
190 007	04512-50080	SPRING WASHER		1			
190 008	E5500-73342	WATER RETURN PIPE		1	B		
190 009	15521-7334-1	WATER RETURN PIPE		1	B		
190 010	15109-7336-4	PIPE BAND		2	B		
190 011	E5800-73011	THERMOSTAT ASSEMBLY		1	C		
190 012	15321-7327-1	THERMOSTAT COVER GASKET		1	B		
190 013	E5500-73263	THERMOSTAT COVER		1	B		
190 014	01123-50835	BOLT WITH WASHER		2			
190 015	15301-3283-0	THERMOMETER SWITCH		1	B		
190 016	E5500-74213	WATER PIPE COVER		1			
NOTE	4A220-DY						



NOTE

KEY NO.	PART NO.	DESCRIPTION	SPEC.	QTY.	REPAIR	EFFECTIVE DATE	REMARKS
023 001	14611042102	RADIATOR ASSY		1			
023 002	16601042160	CAP ASSY		1			
023 003	16601042340	SPONGE , 495		2			
023 004	16001042202	SHROUD COMP		1			
023 010	16001040020	HOSE , RADIATOR		1	C		
023 011	14241010040	CLIP , 45		1			
023 012	15641040180	CLAMP , 48		1			
023 015	14241010040	CLIP , 45		1			
023 016	15601040104	CONNECTOR		1			
023 017	16991113131	PLUG		1		-2006.03.02	
023 017	16991113132	PLUG		1		2006.03.03-	
023 018	V7201019008	O-RING , P	P8	1	B	-2006.03.02	
023 019	14504313301DG	PLATE COMP		1			
023 020	14241010050	CLIP , 42		1			
023 021	V2183608020	BOLT , HEX/SP	M8X20	1			
023 022	15231040150	HOSE , 380		1	C		
023 023	15081020070	TUBE , CORRUGATE 250		1			
023 024	16731040130	HOSE , RADIATOR		1	C		
023 025	14171020050	BAND , HOSE		3			
023 026	16991142003DG	BRACKET COMP , LH		1			
023 027	16991042103DG	BRACKET COMP , RH		1			
023 028	V2193606025	BOLT , HEX/SPL	M6X25	4			
023 029	V2173608030	BOLT , HEX/S	M8X30	4			
023 030	V2183608025	BOLT , HEX/SP	M8X25	4			
023 031	16001040130	INSULATOR , HOOD		1			
023 032	16791040050	INSULATOR , LH		1			
023 033	15641040160	INSULATOR		2			
023 034	16071040031	INSULATOR		1			
023 036	14046210300	GROMMET		8			
023 037	15991040050	COLLAR , 08X12X08		8			
023 038	35652030040	COLLAR , PACKER SHAFT		8			
023 039	35602010150	WASHER , BIND SHAFT		8			
023 040	16601850160	BAND , 20		1			
023 045	16791040060	INSULATOR , RH		1			
023 047	16991040020	INSULATOR , RADIATOR		1			

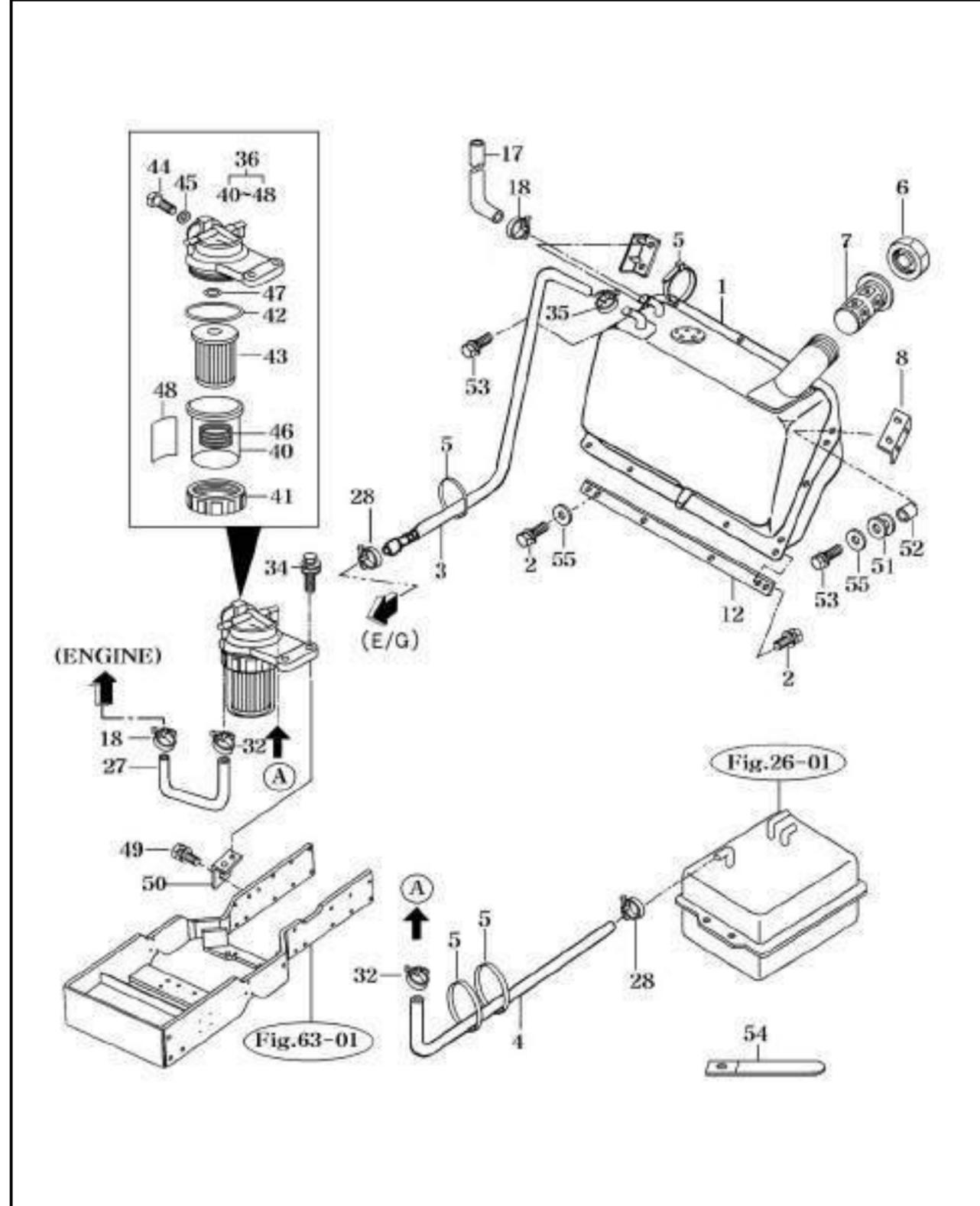
NOTE



NOTE

KEY NO.	PART NO.	DESCRIPTION	SPEC.	QTY.	REPAIR	EFFECTIVE DATE	REMARKS
024 001	16791132005	MUFFLER COMP		1		~2004.07.31	
024 001	16791132006	MUFFLER COMP		1		~2006.02.28	
024 001	16791132007	MUFFLER COMP		1		2006.03.01-	
024 002	16791054503	PIPE COMP , FLEXIBLE		1			
024 003	16791054212DD	COVER , FR		1			
024 004	16791054222DD	COVER , RR		1			
024 005	16991052402	PIPE , UPR TAIL		1		~2006.02.28	
024 006	16601014400	CLAMP		1		~2006.02.28	
024 007	V2013610065	BOLT , HEX	M10X65	1		~2006.02.28	
024 008	V4011600100	WASHER , SPRING	M10	1		~2006.02.28	
024 009	V4111600100	WASHER , PLAIN	M10	2		~2006.02.28	
024 010	V3042600100	NUT , HEX/2	M10	1		~2006.02.28	
024 011	16001051991DD	PIPE , EXHAUST		1			
024 012	V2123806012	BOLT . HEX /SP	M6X12	7		~2004.07.31	
024 012	V2123806012	BOLT . HEX /SP	M6X12	13		2004.08.01-	
024 013	V2183808025	BOLT , HEX/SP	M8X25	8			
024 014	V2183610025	BOLT , HEX/SP	M10X25	4			
024 017	16002010150	WASHER		4			
024 020	16791054101DG	BRACKET , EXHAUST PIPE		1			
024 021	16991054320	GASKET , FLEXIBLE		2			
024 023	16791054312	COVER , EXHAUST PIPE		1			
024 024	16791052432	COVER , EXHAUST PIPE		1			
024 025	16791054392DG	BRACKET COMP , UPR M		1		~2004.07.31	
024 025	14511130010DG	PLATE		1		2004.08.01-	
024 026	V2183808025	BOLT , HEX/SP	M8X25	4			
024 030	V2173608025	BOLT , HEX/S	M8X25	2			
024 035	15001030010	GASKET		1	B	~2005.08.23	
024 036	37371560090	RUBBER		4		~2004.07.31	
024 036	37371560090	RUBBER		2		2004.08.01-	
024 037	V4011600060	WASHER , SPRING	M6	8		~2004.07.31	
024 037	V4011600060	WASHER , SPRING	M6	4		2004.08.01-	
024 038	V3002600060	NUT , HEX/1	M6	8		~2004.07.31	
024 038	V3002600060	NUT , HEX/1	M6	4		2004.08.01-	
024 039	V4111600060	WASHER , PLAIN	M6	8		~2004.07.31	
024 039	V4111600060	WASHER , PLAIN	M6	4		2004.08.01-	
024 040	16791054600DD	COVER		1		2004.08.01-	

NOTE



NOTE

KEY NO.	PART NO.	DESCRIPTION	SPEC.	QTY.	REPAIR	EFFECTIVE DATE	REMARKS
025 001	17991112002	TANK COMP , FUEL MAIN		1			
025 002	V2183608020	BOLT , HEX/SP	M8X20	8			
025 003	16001112201	HOSE , 2550		1	C		
025 004	14621113202	HOSE , 1200		1	C	-2005.11.29	
025 004	16991024100	HOSE , 1200		1	C	2005.11.30-	
025 005	13424020060	BAND , 250		5			
025 006	36523102201	CAP ASSY , TANK		1			
025 007	14481112300	FILTER		1			
025 008	17997026900DG	BRACKET COMP		2			
025 012	17997010601DG	PLATE COMP , LOW FUEL		1			
025 017	16791020020	HOSE , 470		1			
025 018	14501410050	CLAMP , WORM 14.5		2			
025 027	14611113100	HOSE , FUEL 330		1	C		
025 028	14501410050	CLAMP , WORM 14.5		2			
025 032	37481850030	BAND , HOSE 18.5		2			
025 034	V2183608025	BOLT , HEX/SP	M8X25	2			
025 035	14501410050	CLAMP , WORM 14.5		1			
025 036	36573112000	FILTER ASSY		1	C		
025 040	15131023270	CUP		1			
025 041	14261602070	NUT , RING		1			
025 042	V7211031065	O-RING , G	G65	1			
025 043	15131023290	ELEMENT		1	A		
025 044	14151020120	PLUG		2			
025 045	14151020130	PACKING		2			
025 046	14261602090	SPRING		1			
025 047	V7201024016	O-RING , P	P16	1	B		
025 048	15131023320	LABEL , CAUTION		1			
025 049	V2173608020	BOLT , HEX/S	M8X20	2			
025 050	14611113000DG	BRACKET COMP , FUEL		1			
025 051	14046210300	GROMMET		4			
025 052	15991040050	COLLAR , 08X12X08		4			
025 053	V2173608025	BOLT , HEX/S	M8X25	8			
025 054	37371720090	CLAMP , W/HARNESS		2			
025 055	35602010150	WASHER , BIND SHAFT		8			

NOTE

FIG 026

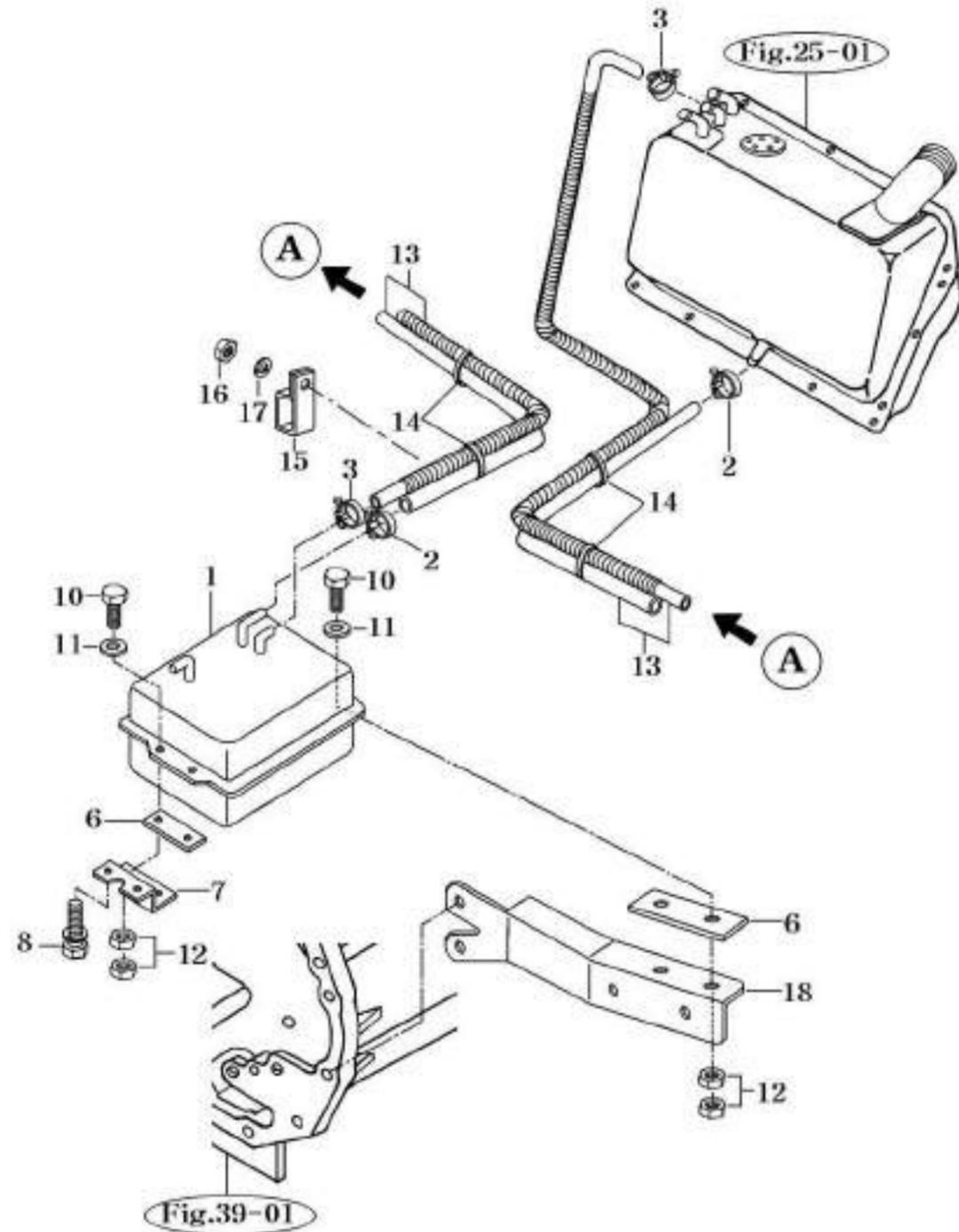
SUB FUEL TANK

4510C

P1

Month/Year

06 / 2005



NOTE



FIG 026

SUB FUEL TANK

4510C

P1

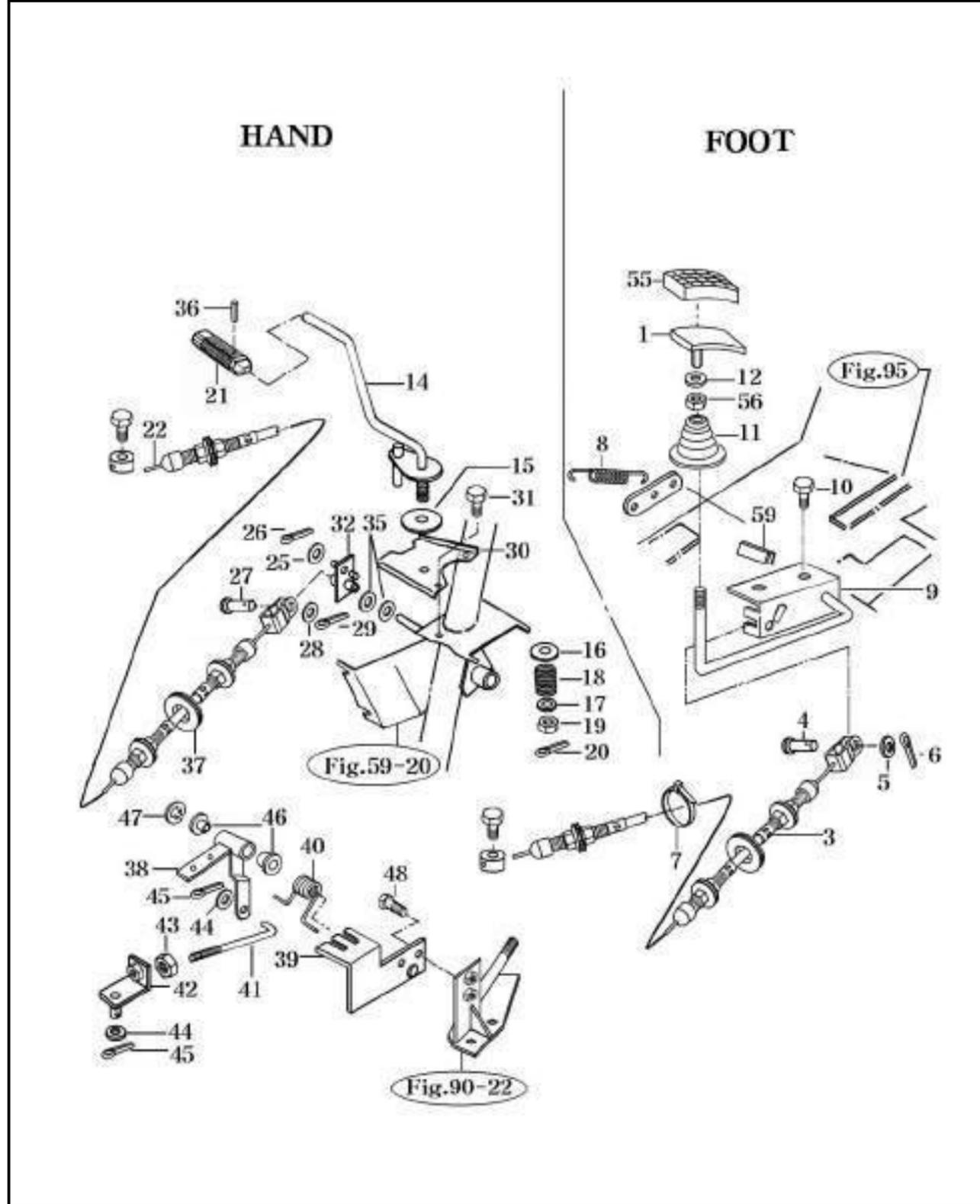
Month / Year

06 / 2005



KEY NO.	PART NO.	DESCRIPTION	SPEC.	QTY.	REPAIR	EFFECTIVE DATE	REMARKS
026 001	16001113100DG	TANK COMP , FUEL SUB		1			
026 002	15585060110	CLIP , 28		2			
026 003	14501410050	CLAMP , WORM 14.5		2			
026 006	15681110032	INSULATOR		2			
026 007	15641113702DG	BRACKET COMP , FR SUB		1			
026 008	V2173608016	BOLT , HEX/S	M8X16	2			
026 010	V2013608025	BOLT , HEX	M8X25	4			
026 011	V4111600080	WASHER , PLAIN	M8	4			
026 012	V3042600080	NUT , HEX/2	M8	8			
026 013	15641113601	HOSE ASSY , FUEL		1	C		
026 014	13764020030	BAND , 140		2			
026 015	15251020040	CLAMP , RADIATOR HOSE		2			
026 016	V3002600060	NUT , HEX/1	M6	2			
026 017	V4011600060	WASHER , SPRING	M6	2			
026 018	14621112700DG	STAY COMP		1			

NOTE



NOTE

KEY NO.	PART NO.	DESCRIPTION	SPEC.	QTY.	REPAIR	EFFECTIVE DATE	REMARKS
027 001	16001220000DG	PLATE COMP , ACCELER		1			
027 003	16001162101	CABLE ASSY , ACCELERATOR		1	C		
027 004	15601160083	PIN , 06X16		1			
027 005	V4111600060	WASHER , PLAIN	M6	1			
027 006	V5001920020	PIN , SPLIT	2X20	1			
027 007	13424020060	BAND , 250		1			
027 008	36502200050	SPRING , FOOT PEDAL		1			
027 009	16791162004DG	BRACKET COMP		1			
027 010	V2173608020	BOLT , HEX/S	M8X20	3			
027 011	16991160010	BOOT , ACCELERATOR PEDAL		1			
027 012	V4111600080	WASHER , PLAIN	M8	1			
027 014	15601162506DG	LEVER COMP , BAR 10		1			
027 015	14141170050	LINING , 13X50X3		1			
027 016	36104400180	WASHER		1			
027 017	V4111600100	WASHER , PLAIN	M10	1			
027 018	14041170080	SPRING , COMPRESSION	D=5	1			
027 019	V3232600100	NUT , HEX SLOT & CASTLE	M10	1			
027 020	V5001925020	PIN , SPLIT	2.5X20	1			
027 021	15441170051	GRIP , 10X115		1			
027 022	14601162300	CABLE ASSY , THROTTLE		1	C		
027 025	V4111600100	WASHER , PLAIN	M10	1			
027 026	V5001920020	PIN , SPLIT	2X20	1			
027 027	15601160083	PIN , 06X16		1			
027 028	V4111600060	WASHER , PLAIN	M6	1			
027 029	V5001920020	PIN , SPLIT	2X20	1			
027 030	15641160013	GUIDE		1			
027 031	V2173608016	BOLT , HEX/S	M8X16	2			
027 032	15601162305DG	ARM , PLATE 25X59		1			
027 035	13651210050	WASHER , 10X20X2		2			
027 036	V5801403016	PIN , SPRING	3X16	1			
027 037	14326510210	CAP , RUBBER 20		1			
027 038	14611162100DG	ARM COMP , THROTTLE		1			
027 039	14611162000DG	BRACKET COMP		1			
027 040	14601162230	SPRING		1			
027 041	14601160011	ROD , THROTTLE		1			
027 042	14601162200	PLATE COMP		1			
027 043	V3042600080	NUT , HEX/2	M8	1			
027 044	V4111600080	WASHER , PLAIN	M8	2			
027 045	21306010180	PIN , SNAP(6)		2			
027 046	15645120010	BUSH , 10X18X10		2			
027 047	V7081400090	E-RING	9	1			
027 048	V2173608020	BOLT , HEX/S	M8X20	2			
027 055	16791220010	PAD		1			
027 056	V3042600080	NUT , HEX/2	M8	1			
027 059	16997021960	INSULATOR , 32		1			

NOTE

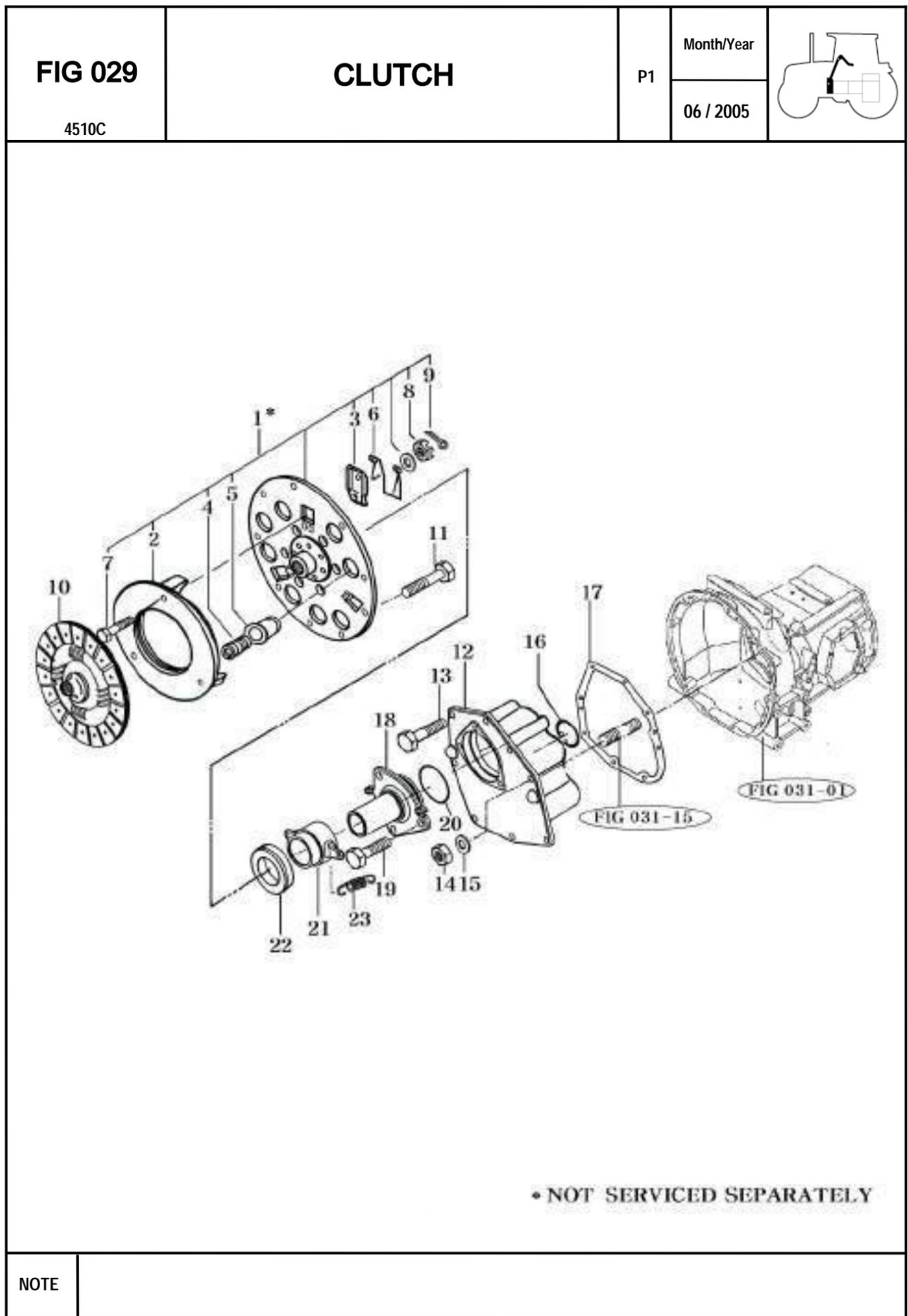
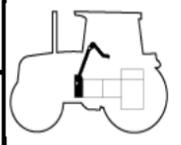
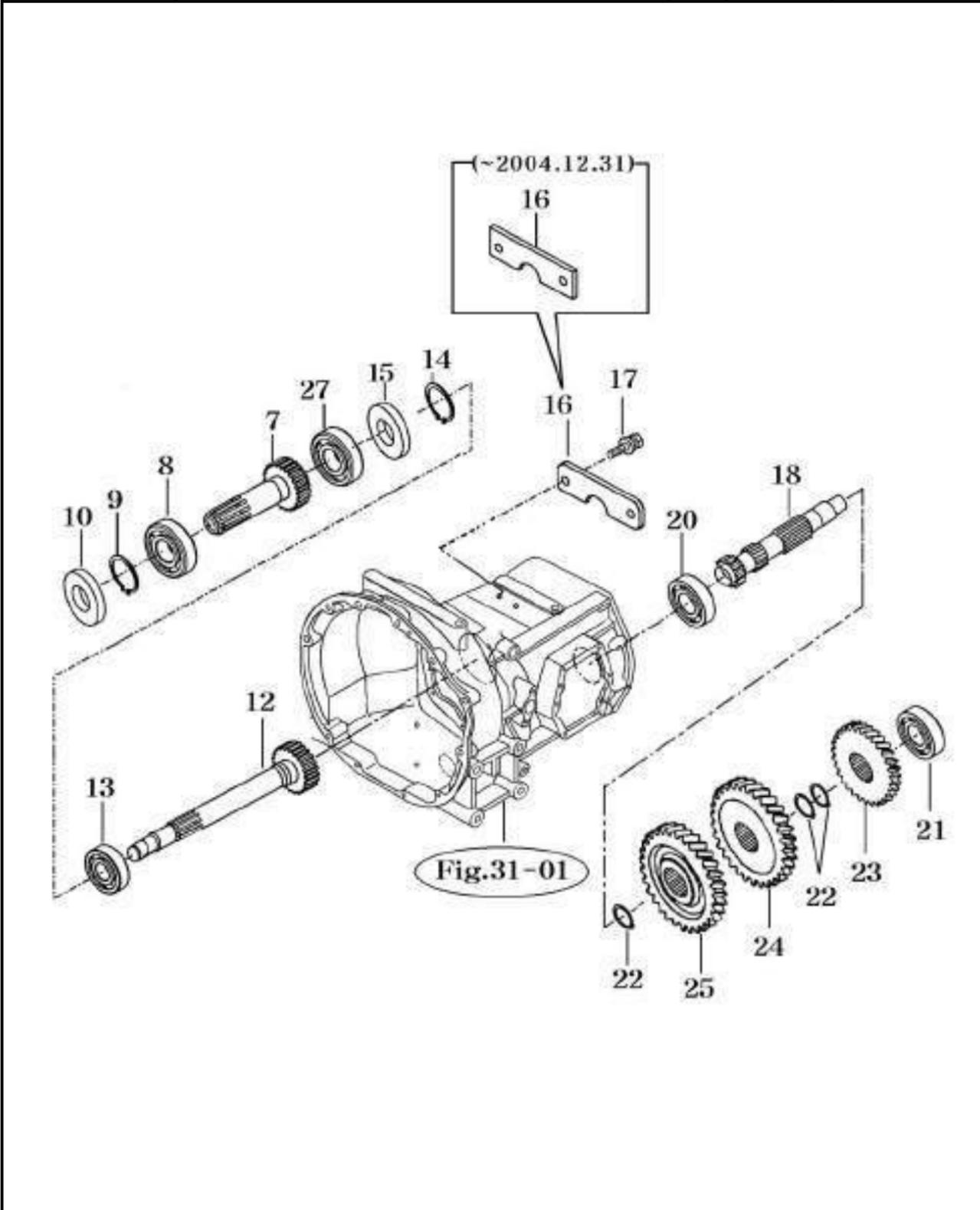


FIG 029 4510C	CLUTCH		Month / Year	
		P1	06 / 2005	

KEY NO.	PART NO.	DESCRIPTION	SPEC.	QTY.	REPAIR	EFFECTIVE DATE	REMARKS
029 001	16601212002	COVER ASSY , CLUTCH		1	C		
029 002	16441202020	PLATE		1			
029 003	16441202030	LEVER , RELEASE		3			
029 004	16441202040	SPRING , COMPRESSION		9			
029 005	14321202140	CAP , SPRING		9			
029 006	16441202050	SPRING , RETURN		3			
029 007	16341202130	BOLT , LEVER		3			
029 008	14321202171	NUT , LEVER		3			
029 009	V5001920020	PIN , SPLIT	2X20	3			
029 010	16441202101	DISK COMP , CLUTCH 260		1	B		
029 011	V2173608020	BOLT , HEX/S	M8X20	9			
029 012	16501210010M	METAL , INPUT		1			
029 013	16604610020	BOLT , SEAL		7			
029 014	V3043600100	NUT , HEX/2	M10	1			
029 015	V4011600100	WASHER , SPRING	M10	1			
029 016	V7051400620	C-RING , HOLE	62	1			
029 017	16601200030	GASKET		1	B		
029 018	16601210020M	METAL , SLEEVE		1			
029 019	16604610020	BOLT , SEAL		3			
029 020	16501210050	O-RING , G70		1	B		
029 021	16341200020M	SLEEVE		1			
029 022	14151200040	BEARING , CLUTCH RELEASE		1	C		
029 023	14321200040	SPRING , TENSION 31		2			

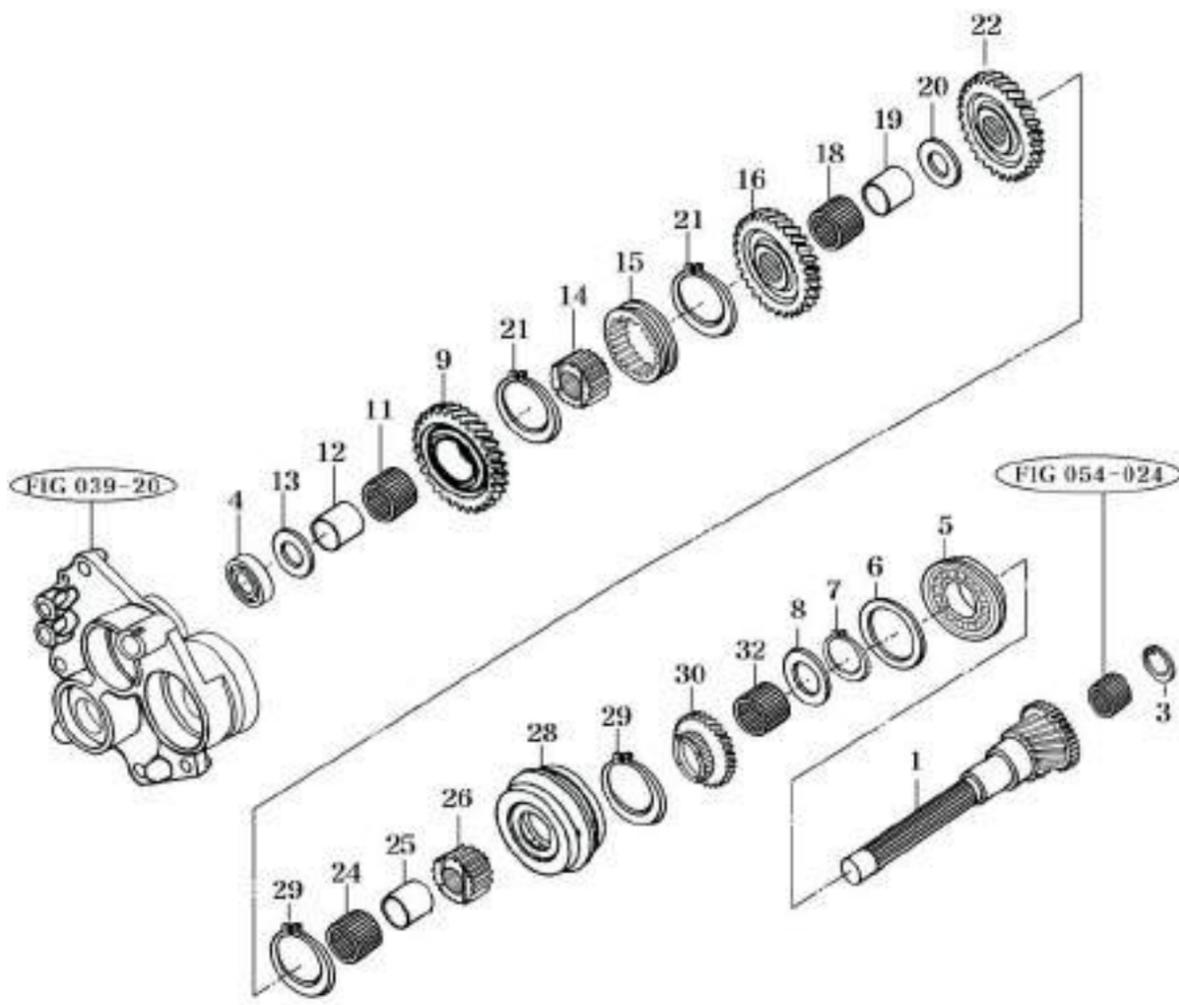
NOTE	
-------------	--



NOTE

KEY NO.	PART NO.	DESCRIPTION	SPEC.	QTY.	REPAIR	EFFECTIVE DATE	REMARKS
032 007	16502070110	GEAR . HELICAL 21T		1			
032 008	V6041106207	BEARING , BALL/HL1	6207HL1	1			
032 009	V7041400350	C-RING , SHAFT	35	1			
032 010	16502070020	SEAL , OIL D		1	B		
032 012	16502070120	GEAR . HELICAL 21T		1			
032 013	V6041106206	BEARING , BALL/HL1	6206HL1	1			
032 014	V7041400300	C-RING , SHAFT	30	1			
032 015	17991304510	SEAL , OIL D		1	B		
032 016	15602060023	PLATE , 25X90		1		-2004.12.31	
032 016	15602060024	PLATE , 25X90		1		2005.01.01-	
032 017	V2173608016	BOLT , HEX/S	M8X16	2			
032 018	15662130012	GEAR , HELICAL 19T		1			
032 020	V6001106207	BEARING , BALL	6207	1			
032 021	V6041106206	BEARING , BALL/HL1	6206HL1	1			
032 022	V7041400350	C-RING , SHAFT	35	3			
032 023	15642120031	GEAR , HELICAL 24T		1			
032 024	15662130021	GEAR , HELICAL 28T		1			
032 025	15662130031	GEAR , HELICAL 32T		1			
032 027	V6001106909	BEARING , BALL	6909	1			

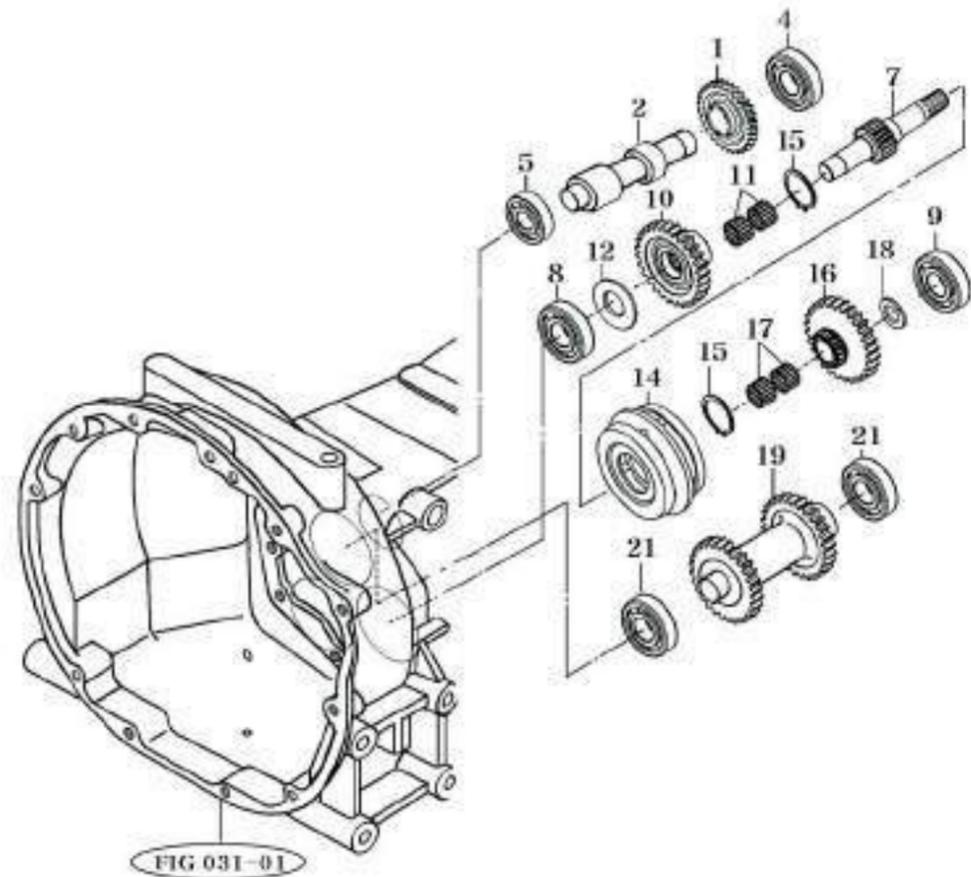
NOTE



NOTE

KEY NO.	PART NO.	DESCRIPTION	SPEC.	QTY.	REPAIR	EFFECTIVE DATE	REMARKS
033 001	15642080015	GEAR , HELICAL 14T		1			
033 003	15642080080	SNAP RING , C TYPE		1			
033 004	V6001106305	BEARING , BALL	6305	1			
033 005	V6001606307	BEARING , BALL	6307N	1			
033 006	14443140041	COLLAR , 35X50X2		1			
033 007	V7041400350	C-RING , SHAFT	35	1			
033 008	15642160041	WASHER , 30X46X3		1			
033 009	15662090013	GEAR , HELICAL 40T		1			
033 011	V6544323723	BEARING , NEEDLE.ROLLER	KT323723	1			
033 012	15602080093	BUSH , 28X32X31		1			
033 013	15642080090	WASHER , 25X46X5		1			
033 014	15682090020	HUB , 28X51X21		1			
033 015	15602080224	COUPLING , 51X72X18		1			
033 016	15642080062	GEAR , HELICAL 36T		1			
033 018	V6544323723	BEARING , NEEDLE.ROLLER	KT323723	1			
033 019	15602080093	BUSH , 28X32X31		1			
033 020	15642080022	WASHER , 28X46X5		1			
033 021	V7041400500	C-RING , SHAFT	50	2			
033 022	15662090022	GEAR , HELICAL 31T		1			
033 024	V6544323723	BEARING , NEEDLE.ROLLER	KT323723	1			
033 025	15602080093	BUSH , 28X32X31		1			
033 026	15682090020	HUB , 28X51X21		1			
033 028	16492092001	SYNCHRONIZER ASSY		1	C		
033 029	V7041400500	C-RING , SHAFT	50	2			
033 030	15662090032	GEAR , HELICAL 27T		1			
033 032	V6544303524	BEARING , NEEDLE.ROLLER	KT303524	1			

NOTE



NOTE

KEY NO.	PART NO.	DESCRIPTION	SPEC.	QTY.	REPAIR	EFFECTIVE DATE	REMARKS
034 001	15642140011	GEAR , HELICAL 30T		1			
034 002	15642140023	SHAFT		1			
034 004	V6001106305	BEARING , BALL	6305	1			
034 005	V6001106004	BEARING , BALL	6004	1			
034 007	15642170012	SHAFT , REVERSE		1			
034 008	V6001106305	BEARING , BALL	6305	1			
034 009	V6001106306	BEARING , BALL	6306	1			
034 010	15642160022	GEAR , HELICAL 26T		1			
034 011	V6544323717	BEARING , NEEDLE.ROLLER	KT323717	2			
034 012	15602160083	WASHER , 25X46X3		1			
034 014	16492092001	SYNCHRONIZER ASSY		1	C		
034 015	V7041400500	C-RING , SHAFT	50	2			
034 016	15642160032	GEAR , HELICAL 25T		1			
034 017	V6544323717	BEARING , NEEDLE.ROLLER	KT323717	2			
034 018	15642160041	WASHER , 30X46X3		1			
034 019	15992180010	GEAR , HELICAL 33-29T		1			
034 021	15972180010	BEARING , BALL		2			

NOTE

FIG 037

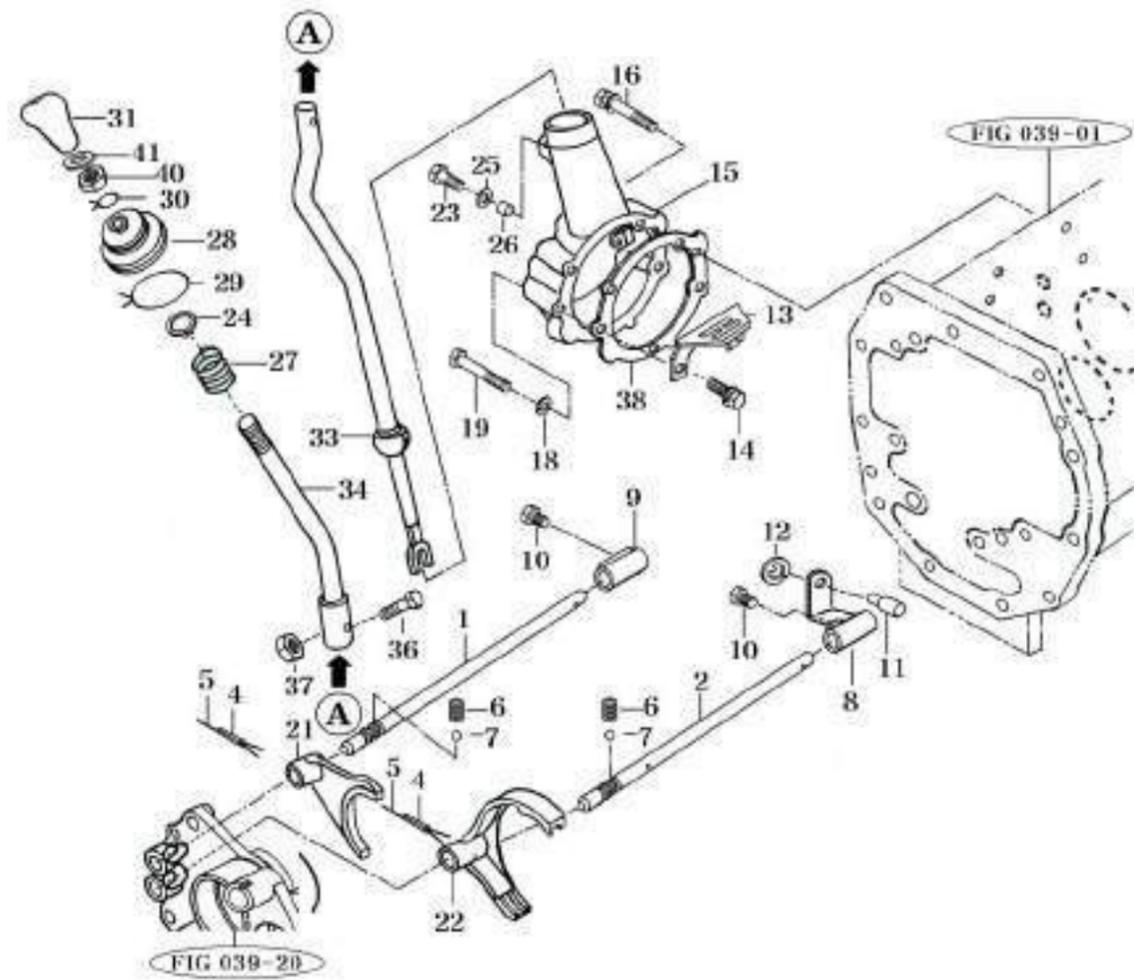
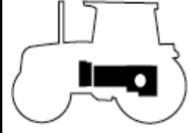
MAIN CHANGE LEVER

4510C

P1

Month/Year

06 / 2005



NOTE

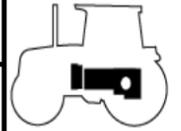
FIG 037

4510C

P1

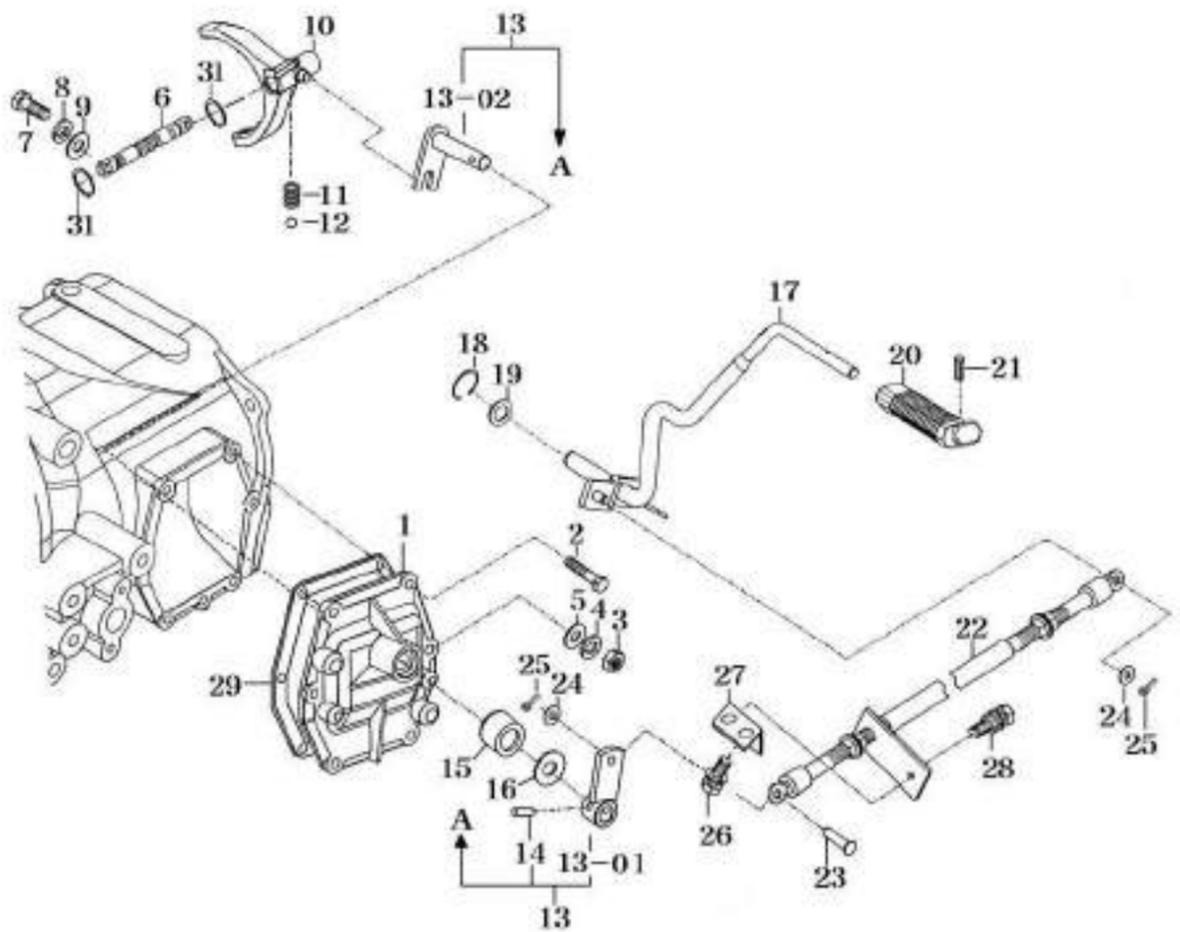
Month / Year

06 / 2005



KEY NO.	PART NO.	DESCRIPTION	SPEC.	QTY.	REPAIR	EFFECTIVE DATE	REMARKS
037 001	15642230050	STAY , SHIFTER 1ST		1			
037 002	15642230060	STAY , SHAFT 3RD		1			
037 004	V5801406025	PIN , SPRING	6X25	2			
037 005	V5901010150	WIRE , STEEL	1.0X150	2			
037 006	13022250030	SPRING , SHIFTER		2			
037 007	V6802000010	BALL , STEEL		2			
037 008	15642230033M	LINK		1			
037 009	15642230043M	LINK		1			
037 010	15602231600	BOLT , SET SEAL LOCK		2			
037 011	15602230124	PIN , 10X28		1			
037 012	V7081400070	E-RING	7	1			
037 013	15602230074	GUIDE		1			
037 014	V2173608016	BOLT , HEX/S	M8X16	2			
037 015	15612230026M	METAL , MAIN		1			
037 016	V2173608050	BOLT . HEX/S	M8X50	2			
037 018	15602230085	SEAL		1			
037 019	V2013608050	BOLT , HEX	M8X50	1			
037 021	15602230018M	FORK , SHIFTER MAIN		1			
037 022	15602230026M	FORK , SHIFTER MAIN		1			
037 023	16007060020	BOLT . DRAIN		1			
037 024	V7051400320	C-RING , HOLE	32	1			
037 025	15602230085	SEAL		1			
037 026	V5201006016	PIN , PARALLEL/A	6X16	1			
037 027	15602900063	SPRING , C020		1			
037 028	14442180090	BOOT , CHANGE LEVER		1	B		
037 029	V5901010180	WIRE , STEEL	1.0X180	1			
037 030	V5901010070	WIRE , STEEL	1.0X70	1			
037 031	14502810074	GRIP COMP , MAIN SHIFTER		1			
037 033	16002912000	LEVER COMP , BAR 16		1			
037 034	15662912104DG	LEVER COMP , BAR 16		1			
037 036	V2013608035	BOLT , HEX	M8X35	1			
037 037	V3042600080	NUT , HEX/2	M8	1			
037 038	16602250040	GASKET , MAIN METAL		1	B		
037 040	V3342600100	NUT , HEX FINE/2	M10	1			
037 041	V4111600100	WASHER , PLAIN		1			

NOTE



NOTE

KEY NO.	PART NO.	DESCRIPTION	SPEC.	QTY.	REPAIR	EFFECTIVE DATE	REMARKS
038 001	15602250015M	METAL , SHIFTER REVERSE		1			
038 002	V2183608020	BOLT , HEX/SP	M8X20	4			
038 003	V3042600080	NUT , HEX/2	M8	2			
038 004	V4011600080	WASHER , SPRING	M8	2			
038 005	V4111600080	WASHER , PLAIN	M8	2			
038 006	15602250025	STAY , SHIFTER REVERSE		1			
038 007	14151210090	BOLT , REAMER		2			
038 008	V4011600080	WASHER , SPRING	M8	2			
038 009	V4111600080	WASHER , PLAIN	M8	2			
038 010	15642260013M	FORK , SHIFTER REVERSE		1			
038 011	13022250030	SPRING , SHIFTER	D=1.4	1			
038 012	V6802000010	BALL , STEEL	5—16	1			
038 013	15602252200	ARM SET , REVERSE		1			
038 01301	15602252300	ARM COMP		1			
038 01302	15602232002	HOOK COMP		1			
038 014	V5111006036	PIN , TAPER SPLIT	6X36	1			
038 015	V7441142508	SEAL , OIL/D	D14258	1	B		
038 016	13667012020	WASHER		1			
038 017	15662832004	LEVER COMP , BAR 14		1			
038 018	V7041400140	C-RING , SHAFT	14	1			
038 019	14276010030	WASHER , 15X24X2		2			
038 020	15441170051	GRIP , 10X115		1			
038 021	V5801403016	PIN , SPRING	3X16	1			
038 022	16002842002	CABLE ASSY . REVERSE		1	C		
038 023	14322420010	PIN		1			
038 024	V4111600080	WASHER , PLAIN	M8	2			
038 025	V5001920020	PIN , SPLIT	2X20	2			
038 026	V2173608025	BOLT , HEX/S	M8X25	2			
038 027	17702844701DG	PLATE		1			
038 028	V2183608016	BOLT , HEX/SP	M8X16	2			
038 029	16602250010	GASKET , REVERSE METAL		1	B		
038 031	V7041400140	C-RING , SHAFT	14	2			

NOTE

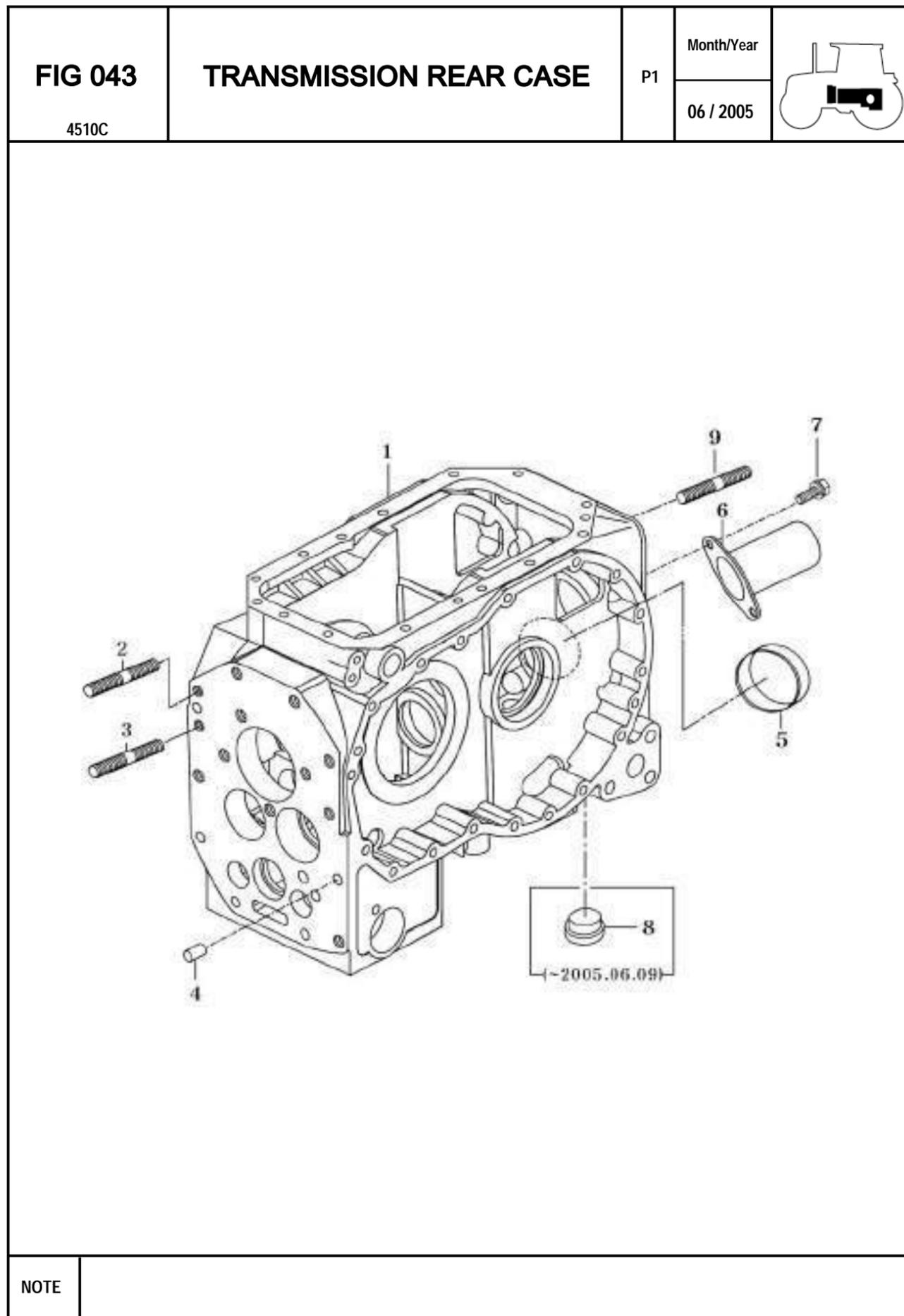
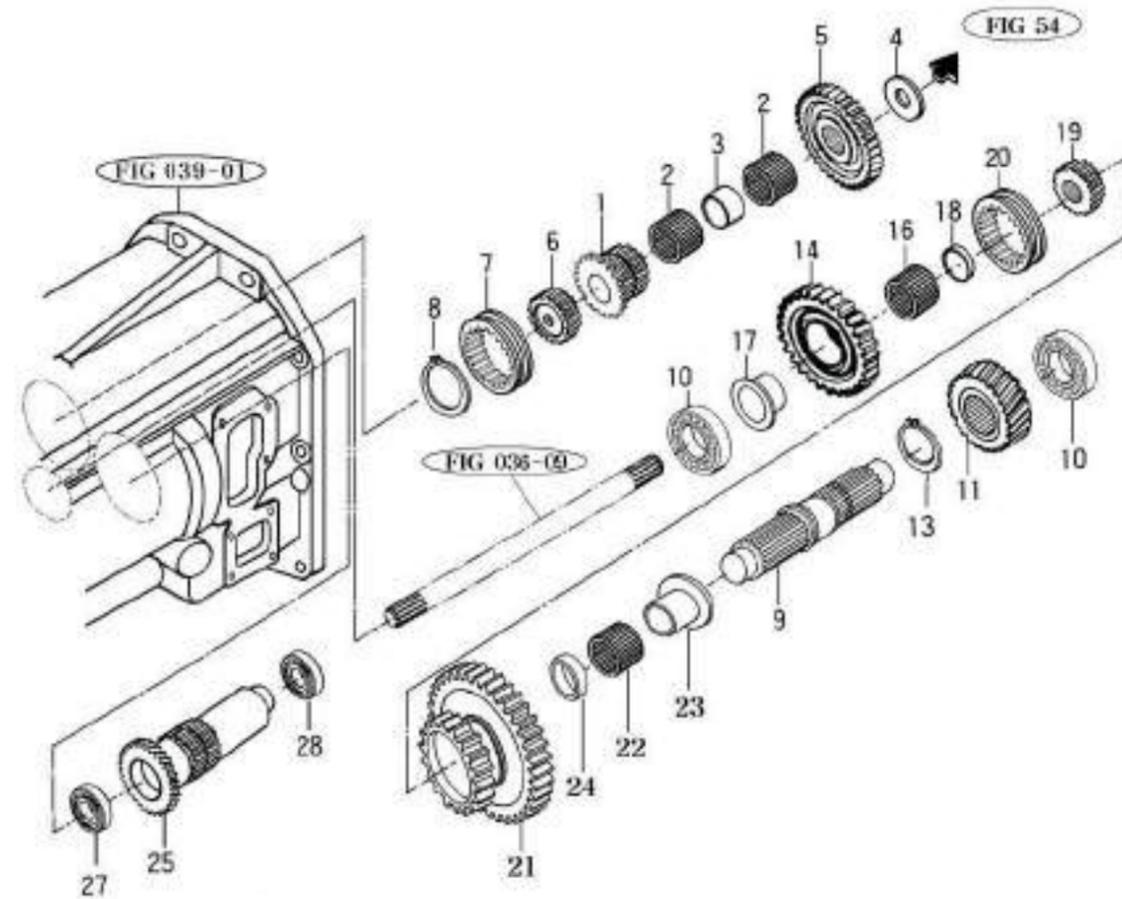


FIG 043 4510C		TRANSMISSION REAR CASE				P1	Month / Year 06 / 2005	
KEY NO.	PART NO.	DESCRIPTION	SPEC.	QTY.	REPAIR	EFFECTIVE DATE	REMARKS	
043 001	15642400019M	CASE , RR TRANSMISSION		1				
043 002	V2513414035	BOLT , STUD/2	M14X35	2				
043 003	V2513412035	BOLT , STUD/2	M12X35	2				
043 004	V5201010022	PIN , PARALLEL/A	10X22	8				
043 005	14254330180	CAP , 72		1	C			
043 006	14443140091	CAP , PTO SHAFT		1	C			
043 007	V2183608016	BOLT , HEX/SP	M8X16	2				
043 008	14273170040	CAP , M14		4		-2005.06.09		
043 009	V2513416035	BOLT , STUD/2	M16X35	2				

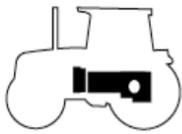
NOTE	
------	--



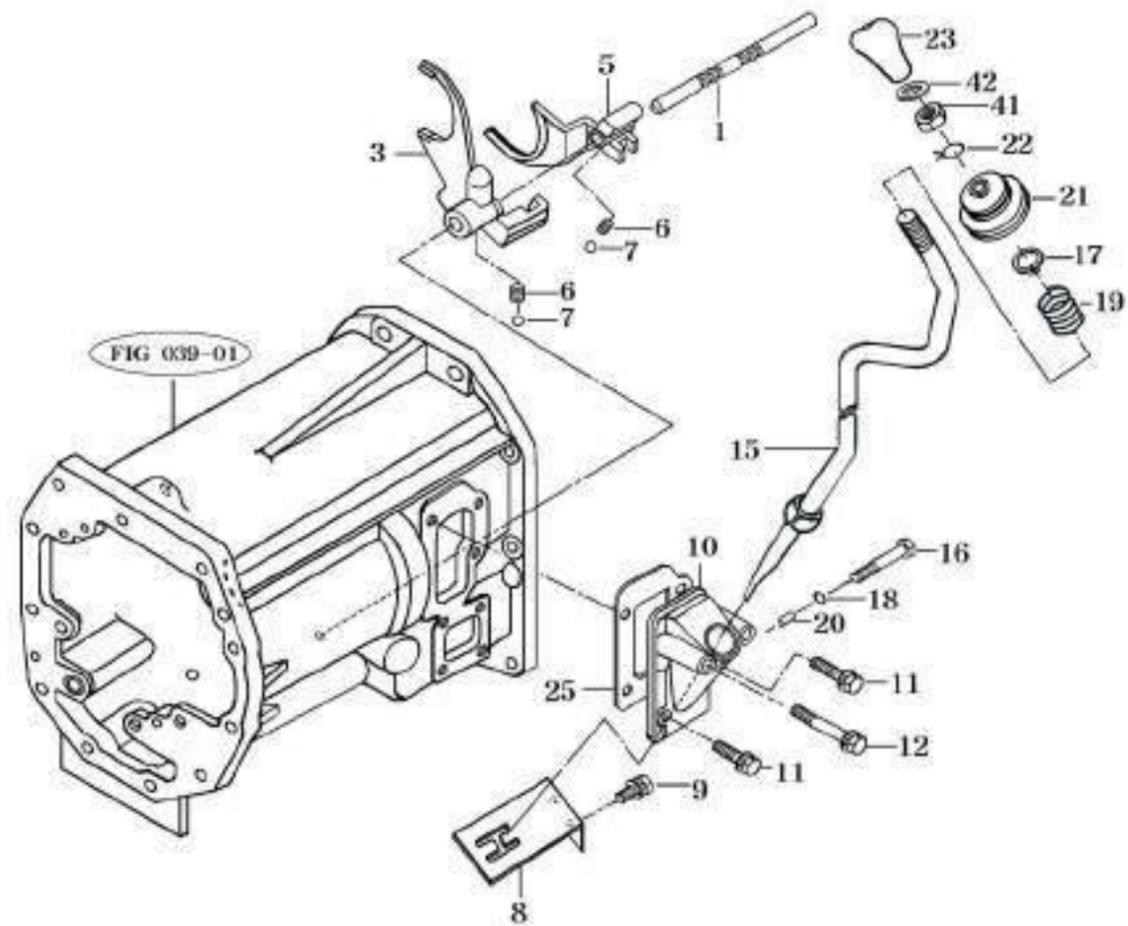
NOTE

KEY NO.	PART NO.	DESCRIPTION	SPEC.	QTY.	REPAIR	EFFECTIVE DATE	REMARKS
044 001	15642430013	GEAR , SPUR 16T		1			
044 002	V6544303517	BEARING , NEEDLE.ROLLER	KT303517	2			
044 003	15642430021	COLLAR , 30X34X10		1			
044 004	15642430032	WASHER , 30X50X4		1			
044 005	15642430042	GEAR , SPUR 41T		1			
044 006	15642430110	HUB , 30X62X19		1			
044 007	15242360050	COUPLING , SLIDE		1			
044 008	V7041400300	C-RING , SHAFT	30	1			
044 009	15642430053	SHAFT		1			
044 010	V6001106207	BEARING , BALL	6207	2			
044 011	15642430062	GEAR , HELICAL 24T		1			
044 013	V7041400400	C-RING , SHAFT	40	1			
044 014	15642430073	GEAR , HELICAL 39T		1			
044 016	V6544455017	BEARING , NEEDLE.ROLLER	KT455017	1			
044 017	15602430134	BUSH , 40X58X29		1			
044 018	15602430154	COLLAR , 46X50X08		1			
044 019	15602430173	HUB , 40X62X20		1			
044 020	15242360050	COUPLING , SLIDE		1			
044 021	15642430082	GEAR , SPUR 40T		1			
044 022	V6544455017	BEARING , NEEDLE.ROLLER	KT455017	1			
044 023	15602430134	BUSH , 40X58X29		1			
044 024	15602430154	COLLAR , 46X50X08		1			
044 025	15642500012	GEAR , 35-11T		1			
044 027	V6001106205	BEARING , BALL	6205	1			
044 028	V6001106304	BEARING , BALL	6304	1			

NOTE

FIG 045	SUB CHANGE LEVER	P1	Month/Year	
			06 / 2005	

4510C

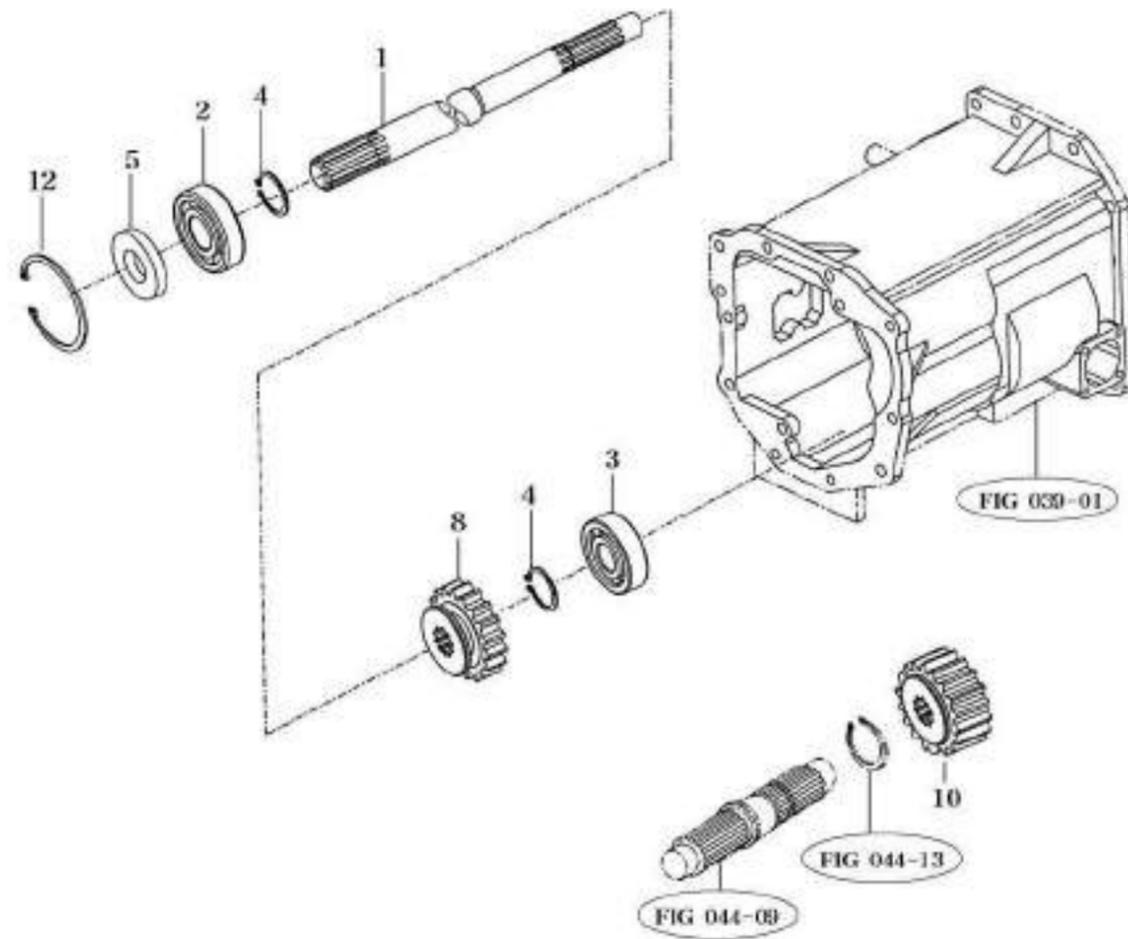


NOTE

FIG 045	4510C	P1	Month / Year	
			06 / 2005	

KEY NO.	PART NO.	DESCRIPTION	SPEC.	QTY.	REPAIR	EFFECTIVE DATE	REMARKS
045 001	15642590013	STAY , SHIFTER SUB		1			
045 003	15642590024M	FORK , SHIFTER SUB		1			
045 005	15642590034M	HOOK , SHIFT		1			
045 006	13022250030	SPRING , SHIFTER		2			
045 007	V6802000010	BALL , STEEL		2			
045 008	15602590124	GUIDE		1			
045 009	V2173610020	BOLT , HEX/S	M10X20	2			
045 010	15602590014M	METAL , SUB		1			
045 011	V2183608025	BOLT , HEX/SP	M8X25	2			
045 012	V2183608065	BOLT , HEX/SP	M8X65	2			
045 015	16002810012	LEVER , BAR 16		1			
045 016	16007060020	BOLT . DRAIN	M8X12XP1.25	1			
045 017	V7051400320	C-RING , HOLE	32	1			
045 018	15602230085	SEAL		1			
045 019	15602900063	SPRING , C020		1			
045 020	V5201006016	PIN , PARALLEL/A	6X16	1			
045 021	15602800044	BOOT		1	B		
045 022	V5901010070	WIRE , STEEL	1.0X70	1			
045 023	15002810104	GRIP COMP , SUB SHIFT GRIP		1			
045 025	16602250020	GASKET , SUB METAL		1	B		
045 041	V3342600100	NUT , HEX FINE/2	M10	1			
045 042	V4111600100	WASHER , PLAIN		1			

NOTE

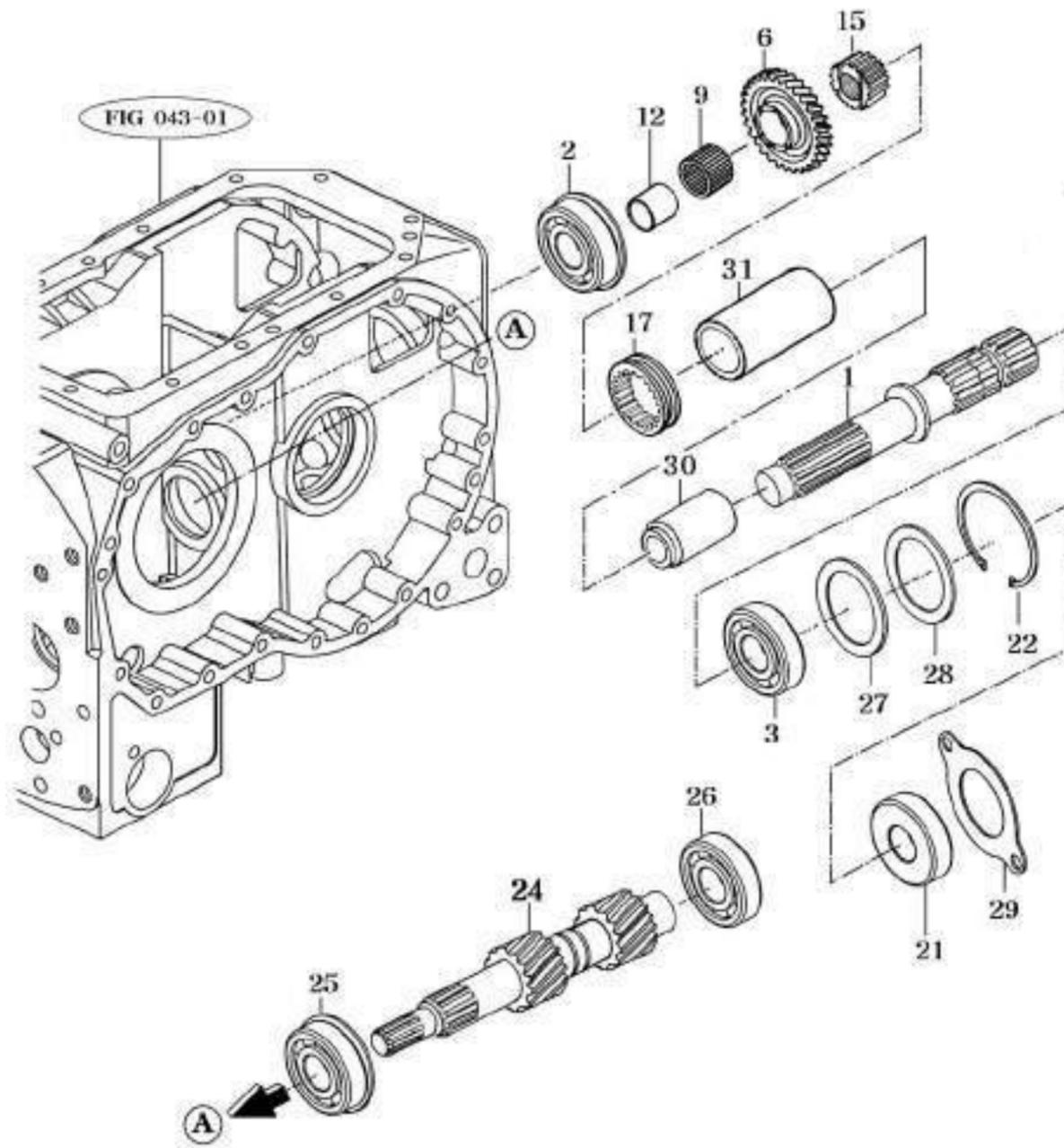


NOTE

KEY NO.	PART NO.	DESCRIPTION	SPEC.	QTY.	REPAIR	EFFECTIVE DATE	REMARKS
047 001	15642610040	SHAFT		1			
047 002	V6001106005	BEARING , BALL	6005	1			
047 003	V6031106204	BEARING , BALL/HL	6204HL	1			
047 004	V7041400250	C-RING , SHAFT	25	2			
047 005	V7441254708	SEAL , OIL/D	D25478	1	B		
047 008	16352620010	GEAR , SPUR 26T		1			
047 010	15662620050	GEAR , SPUR 25T		1			
047 012	V7051400470	C-RING , HOLE	47	1			

NOTE

4510C



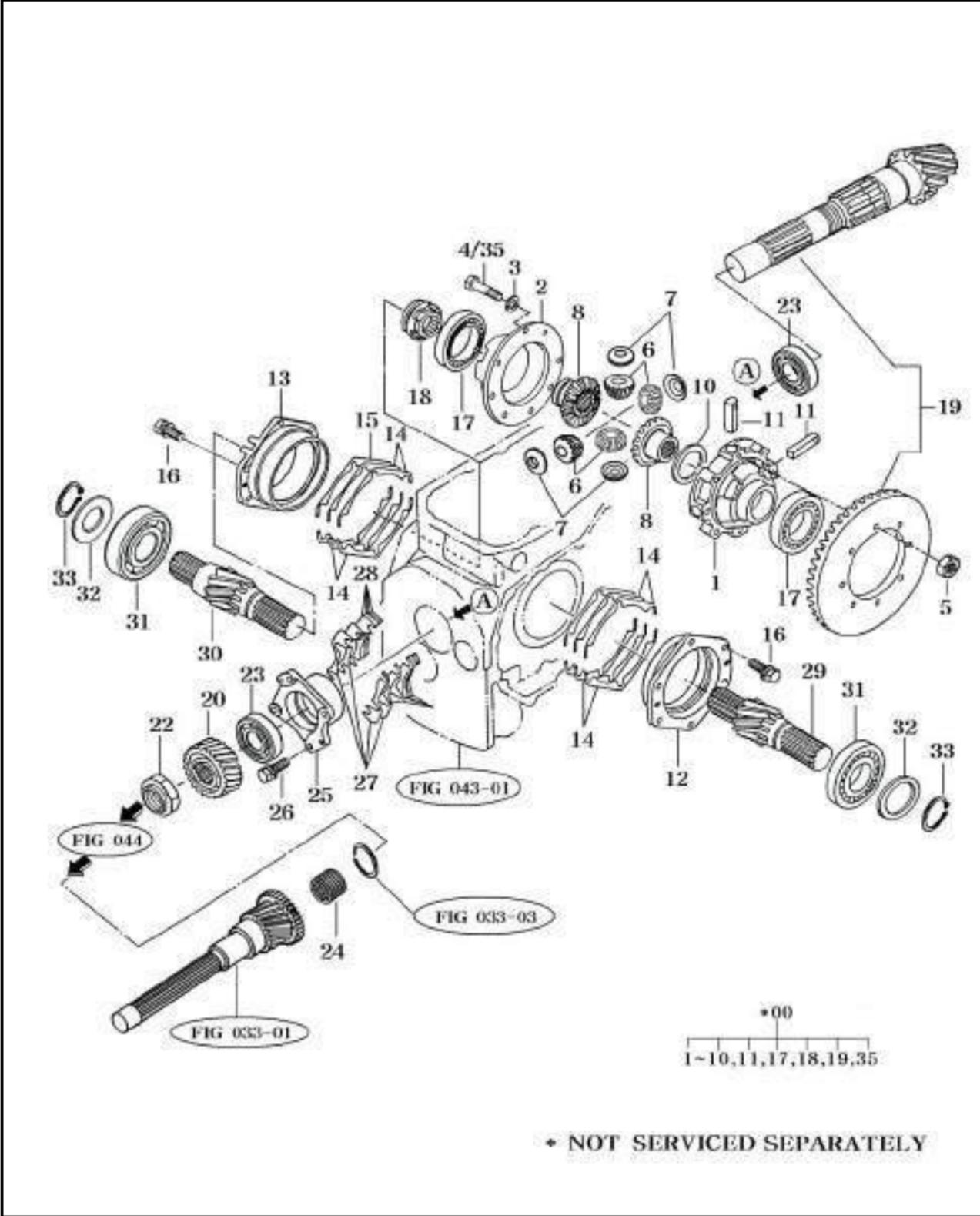
NOTE

4510C

KEY NO.	PART NO.	DESCRIPTION	SPEC.	QTY.	REPAIR	EFFECTIVE DATE	REMARKS
051 001	15642730015	SHAFT , PTO		1			
051 002	V6041606305	BEARING , BALL/HL1	6305HL1N	1			
051 003	36531080070	BEARING , BALL	BL207	1			
051 006	15662730032	GEAR , HELICAL 36T		1			
051 009	V6544404527	BEARING , NEEDLE.ROLLER	KT404527	1			
051 012	15642730072	BUSH , 35X40X37		1			
051 015	15642730052	HUB , 35X62X20		1			
051 017	15242360050	COUPLING , SLIDE		1			
051 021	16322732000	SEAL ASSY , OIL		1			
051 022	V7051400720	C-RING , HOLE	72	1			
051 024	12902700020	GEAR , HELICAL 12-18		1			
051 025	V6041606305	BEARING , BALL/HL1	6305HL1N	1			
051 026	V6041106306	BEARING , BALL/HL1	6306HL1	1			
051 027	79642010080	SHIM , B		1			
051 028	16322730030	SHIM , 0.5		1			
051 029	16322730040	COVER		1			
051 030	12902750090	COLLAR		1			
051 031	14512730010	COLLAR(35x64x34)		1			

NOTE

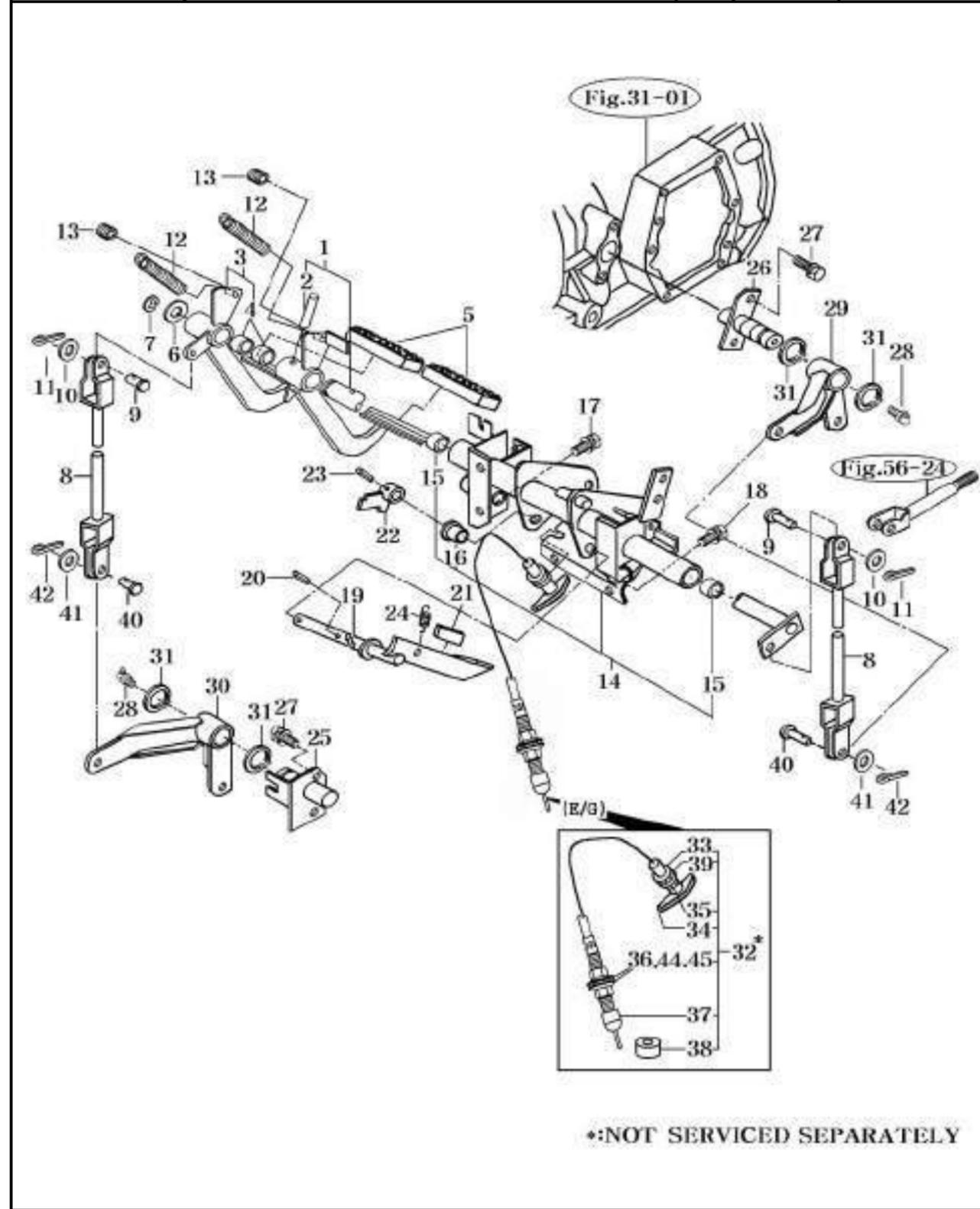
2 Speed PTO



NOTE

KEY NO.	PART NO.	DESCRIPTION	SPEC.	QTY.	REPAIR	EFFECTIVE DATE	REMARKS
054 000	16603022000	DIFF SET , RR 11-48T		1			
054 001	14883010011	CASE , LH DIFF		1			
054 002	15033010010	CASE , RH DIFF		1			
054 003	V4011600100	WASHER , SPRING	M10	8			
054 004	16353030011	BOLT , SM10X1.25X65		6			
054 005	16353030050	NUT , M10	M10X1.25	8			
054 006	14313010090	PINION , DIFF 12T		4			
054 007	15643030040	COLLAR , PINION		4			
054 008	14313010060	GEAR , DIFF 20 A		2			
054 010	14313010050	COLLAR , THRUST 45X66X1		1			
054 011	14883010051	SHAFT , DIFF PINION		4			
054 012	14883010060M	METAL , LH DIFF CASE		1			
054 013	15643030013M	METAL , RH DIFF		1			
054 014	14883010080	SHIM , A		8			
054 015	14883010090	SHIM , B		4		-2004.11.30	
054 015	14883010090	SHIM , B		2		2004.12.01-	
054 016	V2173610025	BOLT , HEX/S	M10X25	12			
054 017	V6001106212	BEARING , BALL	6212	2			
054 018	15643030022	CLUTCH		1			
054 019	16603022100	GEAR SET , 11-48T		1			
054 020	15643010012	GEAR , HELICAL 29T		1			
054 022	15643010021	NUT , M36 P1,5		1			
054 023	15643010031	BEARING , TAPER ROLLER		2			
054 024	15683020010	BEARING , NEEDLE 253224		1			
054 025	15643010043M	METAL , PINION		1		-2005.07.19	
054 025	17683010040M	METAL , PINION		1		2005.07.20-	
054 026	V2173610025	BOLT , HEX/S	M10X25	4			
054 027	15643010052	SHIM , 0.2		4			
054 028	15643010062	SHIM , 0.1		4		-2004.11.30	
054 028	15643010062	SHIM , 0.1		1		2004.12.01-	
054 029	16353060010	PINION , LH HERICAL10T		1			
054 030	16353060020	PINION , RH HERICAL10T		1			
054 031	V6001106309	BEARING , BALL	6309	2			
054 032	15133060030	COLLAR , THRUST 45X68X4		2			
054 033	V7041400450	C-RING , SHAFT	45	2			
054 035	16353030020	BOLT , M10X65 P1.25		2			

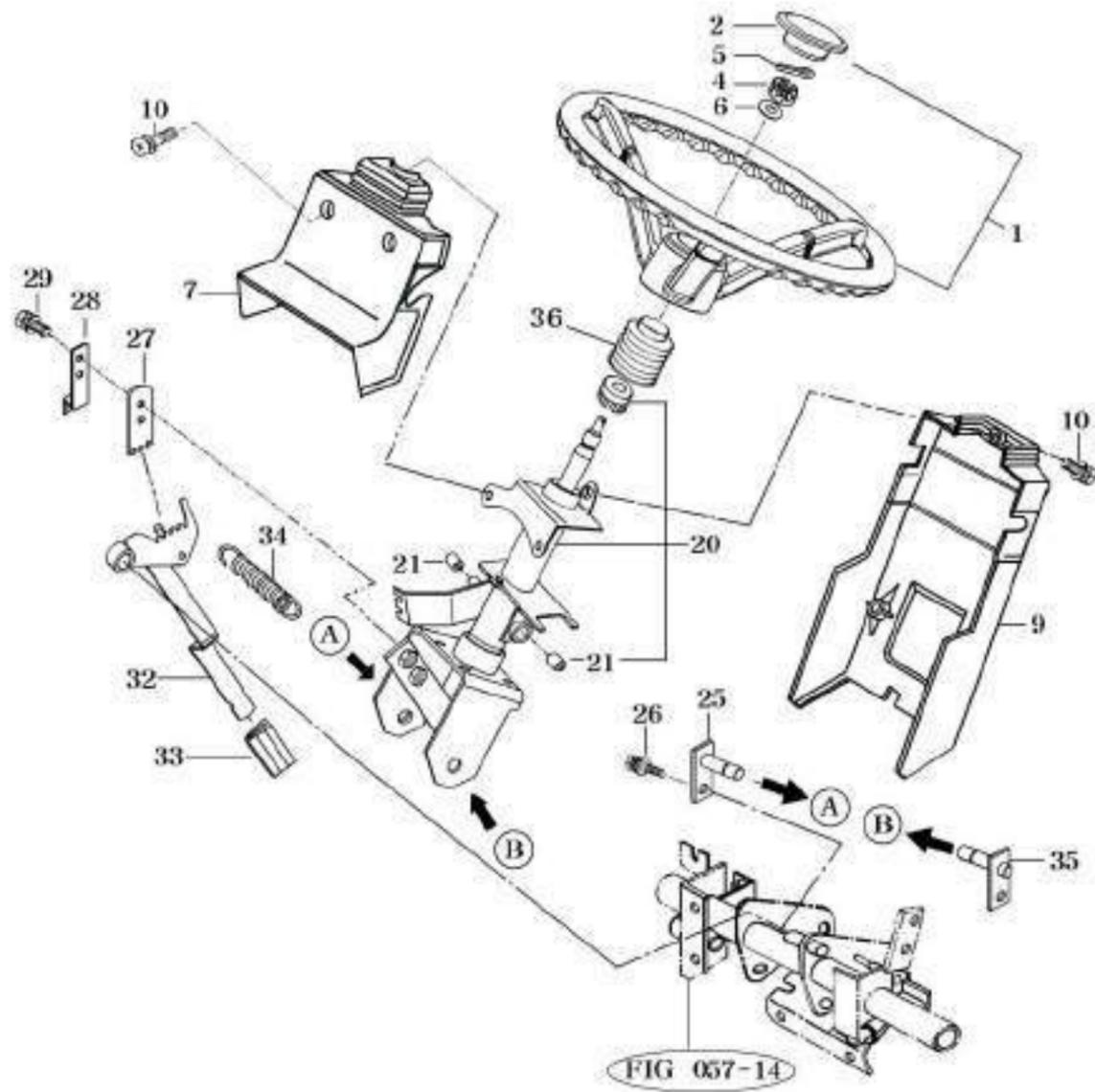
NOTE



NOTE

KEY NO.	PART NO.	DESCRIPTION	SPEC.	QTY.	REPAIR	EFFECTIVE DATE	REMARKS
057 001	15663142402	PEDAL SET , LH		1			
057 002	V5111008050	PIN , TAPER SPLIT	8X50	1			
057 003	15643142402	PEDAL ASSY , RH		1			
057 004	36707030080	BUSH , 20X23X20		2			
057 005	15241220010	PAD		2	C		
057 006	V4111600200	WASHER , PLAIN	M20	1			
057 007	V7041400200	C-RING , SHAFT	20	1			
057 008	15603142503DG	ROD COMP , FORK		2			
057 009	14322420010	PIN		2			
057 010	V4111600080	WASHER , PLAIN	M8	2			
057 011	V5001925020	PIN , SPLIT	2.5X20	2			
057 012	14041200080	RETURN SPRING , CLUTCH		2			
057 013	15601320011	TUBE , CORRUGATE 1050		2			
057 014	16753143001	FRAME ASSY		1			
057 015	36707030080	BUSH , 20X23X20		2			
057 016	15603142910	BUSH , 16X18X15		1			
057 017	V2173608016	BOLT , HEX/S	M8X16	4			
057 018	V2183608016	BOLT , HEX/SP	M8X16	2			
057 019	16753143200DG	PEDAL COMP , PARKING		1			
057 020	V5801404025	PIN , SPRING	4X25	1			
057 021	15603140010	INSULATOR		1			
057 022	16753143600DG	ARM COMP , PARKING		1		-2005.06.30	
057 022	16753143601DG	ARM COMP , PARKING		1		2005.07.01-	
057 023	V5801406025	PIN , SPRING	6X25	1			
057 024	14321200040	SPRING , TENSION 31		1			
057 025	15643102104	PIN COMP		1			
057 026	15603102105	PIN COMP		1			
057 027	V2173608020	BOLT , HEX/S	M8X20	4			
057 028	V7631500000	NIPPLE , GREASE/B-PT	B-PT1/8	2			
057 029	15643102202DG	ARM COMP , LH		1			
057 030	15643102303DG	ARM COMP , RH		1			
057 031	V7041400250	C-RING , SHAFT	25	4			
057 032	15231013102	CABLE ASSY		1	C		
057 040	14322420010	PIN		2			
057 041	V4111600080	WASHER , PLAIN	M8	2			
057 042	V5001925020	PIN , SPLIT	2.5X20	2			

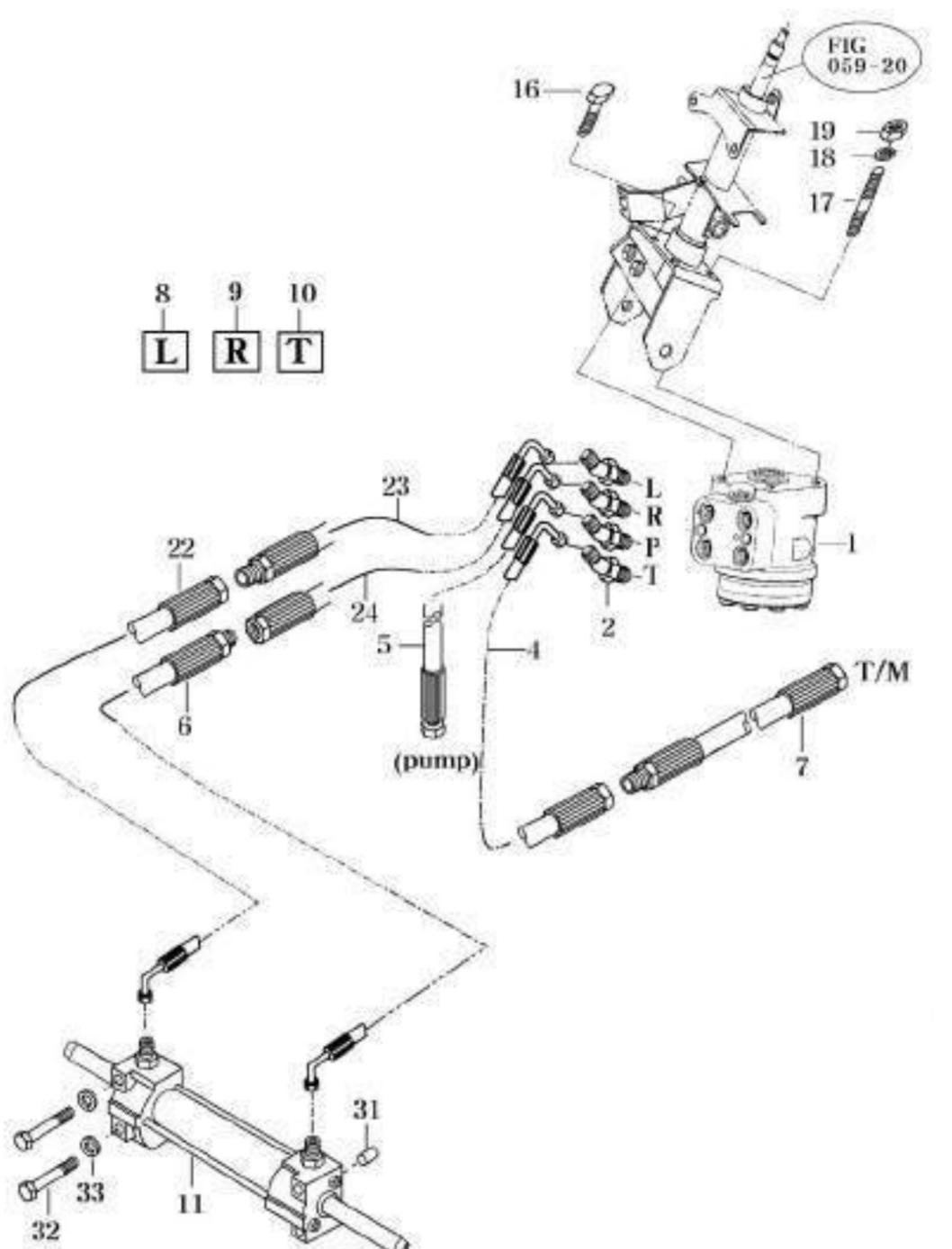
NOTE



NOTE

KEY NO.	PART NO.	DESCRIPTION	SPEC.	QTY.	REPAIR	EFFECTIVE DATE	REMARKS
059 001	12304012001	WHEEL ASSY , STEERING		1		-2004.12.31	
059 001	12304012002	WHEEL ASSY , STEERING		1		2005.01.01-	
059 002	12304012021	COVER , STEERING		1		-2004.12.31	
059 002	12304012030	COVER , STEERING		1		2005.01.01-	
059 004	V3232600100	NUT , HEX SLOT & CASTLE	M10	1			
059 005	V5001920020	PIN , SPLIT	2X20	1			
059 006	V4111600100	WASHER , PLAIN	M10	1			
059 007	15604010025	COVER , FR COLUMN		1			
059 009	15604010060	COVER , RR COLUMN		1			
059 010	V1222608020	SCREW , C/R PAN/SP	M8X20	5			
059 020	16994043203DG	COLUMN ASSY , STEERING		1			
059 021	36461020111	BUSH , 14X16X20		2			
059 025	15604042101DG	PIN COMP , 16X25		1			
059 026	V2173608016	BOLT , HEX/S	M8X16	2			
059 027	15604040010DG	PLATE		1			
059 028	15184060080DG	PLATE , GUIDE		1			
059 029	V2173608025	BOLT , HEX/S	M8X25	2			
059 032	16754042201DG	PEDAL COMP		1			
059 033	15184060060	COVER , PEDAL		1			
059 034	14041200080	RETURN SPRING , CLUTCH		1			
059 035	16754042100DG	PIN COMP , LH 16X21		1			
059 036	16994011990	BOOT , STEERING		1			

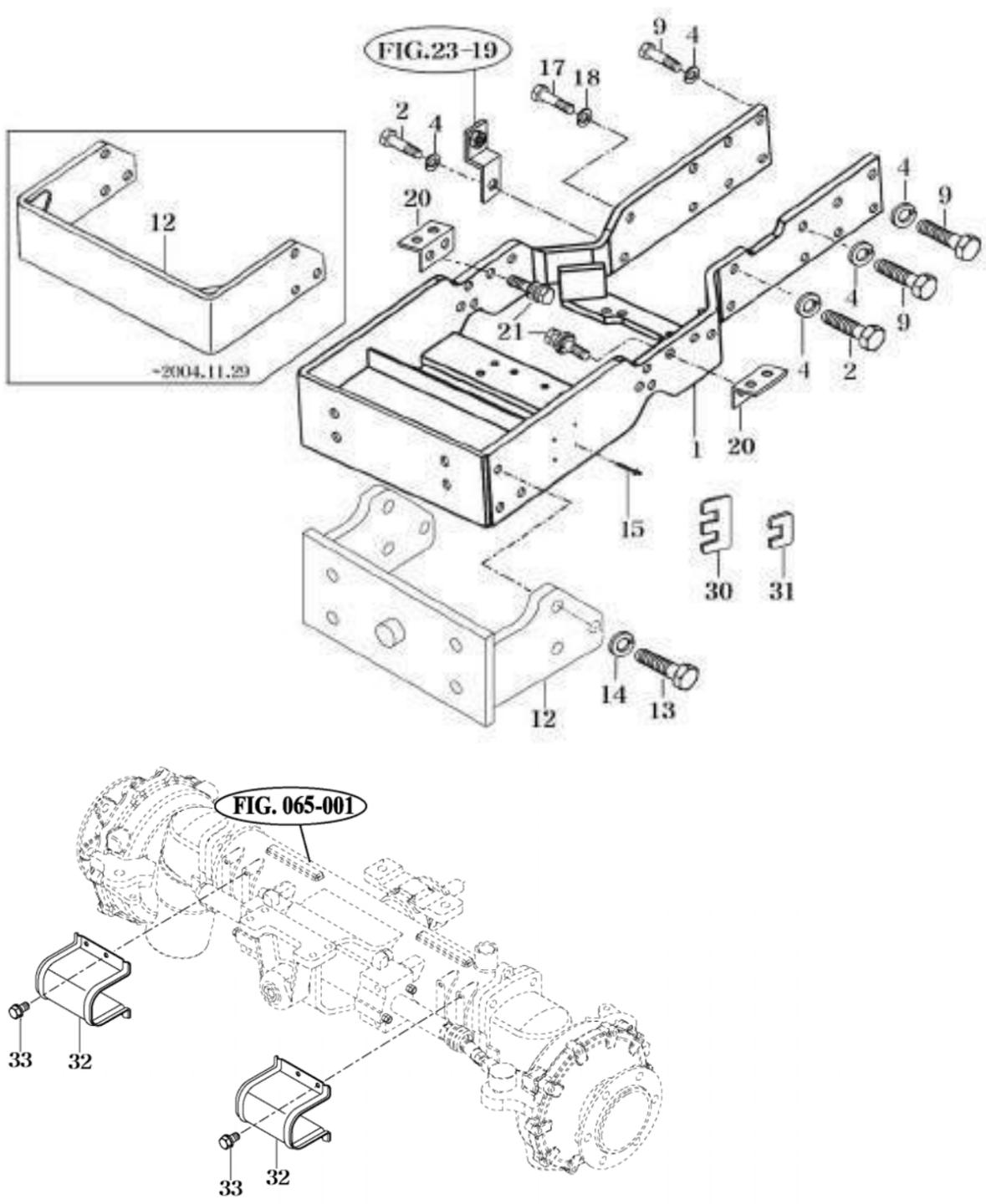
NOTE



NOTE

KEY NO.	PART NO.	DESCRIPTION	SPEC.	QTY.	REPAIR	EFFECTIVE DATE	REMARKS
062 001	16004072000	VALVE ASSY , STEERING		1	C		
062 002	P1177012600	ELBOW ASS , 45		4			
062 004	15004073501	HOSE ASSY , HYD 90/600		1	C		
062 005	15004072602	HOSE ASSY , HYD 82/470		1	C		
062 006	16744072800	HOSE ASSY . HYD 1170		1	C		
062 007	16754072700	HOSE ASSY , HYD 700		1	C		
062 008	16754070010	LABEL , PORT LH		1			
062 009	16754070020	LABEL , R PORT		1			
062 010	16754070030	LABEL , T PORT		1			
062 011	16704070080	CYLINDER COMP		1	C		
062 016	V2183610025	BOLT , HEX/SP	M10X25	2			
062 017	V2513410020	BOLT , STUD/2	M10X20	2			
062 018	V4011600100	WASHER , SPRING	M10	2			
062 019	V3043600100	NUT , HEX/2	M10	2			
062 022	16024072700	HOSE ASSY , HYD 970		1	C		
062 023	14614072501	HOSE ASSY , HYD 90/450		1	C		
062 024	14614072600	HOSE ASSY , HYD 82/450		1	C		
062 031	V5201010020	PIN , PARALLEL/A	10X20	1			
062 032	V2034612090	BOLT , HEX FINE	M12X90	4			
062 033	V4011600120	WASHER , SPRING	M12	4			

NOTE



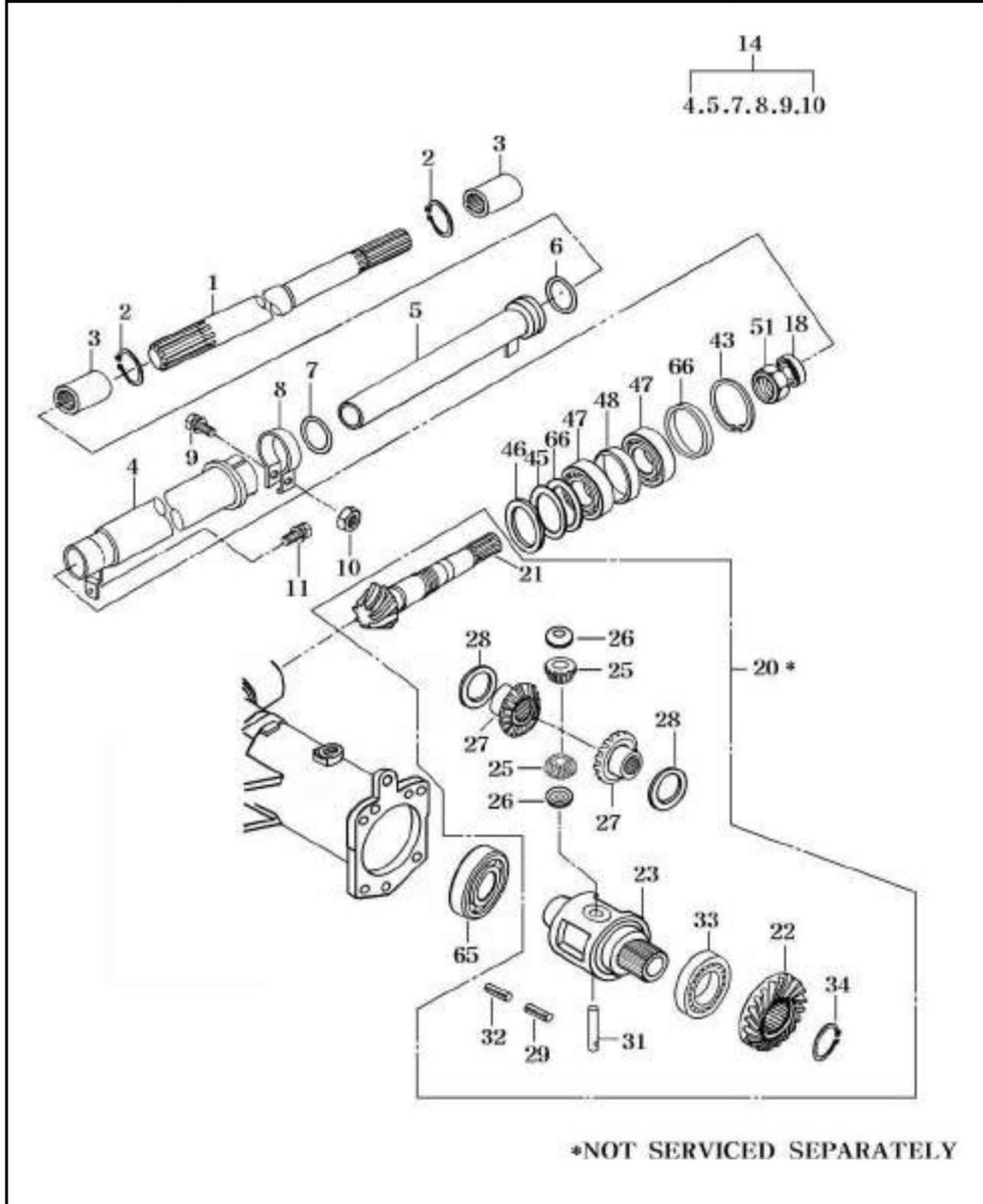
NOTE

KEY NO.	PART NO.	DESCRIPTION	SPEC.	QTY.	REPAIR	EFFECTIVE DATE	REMARKS
063 001	16744102201DG	BRACKET COMP . AXLE		1			
063 002	V2023612050	BOLT , HEX FINE	M12X50	3			
063 004	V4011600120	WASHER , SPRING	M12	15			
063 009	V2024612035	BOLT , HEX FINE	M12X35	12			
063 012	16794101000DG	BRACKET COMP , WEIGH		1		-2005.02.27	
063 012	12754101000DG	BRACKET COMP , WEIGH		1		2005.02.28-	
063 013	V2013614035	BOLT , HEX	M14X35	6			
063 014	V4011600140	WASHER , SPRING	M14	6			
063 015	V5502040093	RIVET , BLIND	4X9.3	4			
063 017	V2023610050	BOLT , HEX FINE	M10X50	1			
063 018	V4011600100	WASHER , SPRING	M10	1			
063 020	16004102800DG	STAY COMP , RADIATOR		2			
063 021	V2183608020	BOLT , HEX/SP	M8X20	4		-2006.02.08	
063 021	V2183608025	BOLT , HEX/SP	M8X25	4		2006.02.09-	
063 030	16744100050	SHIM SET , A		2			
063 031	16744100060	SHIM SET , B		2			
063 032	14734070100DG	COVER , CYLINDER		2			
063 033	V2173608016	BOLT , HEX/S	M8X16	8			

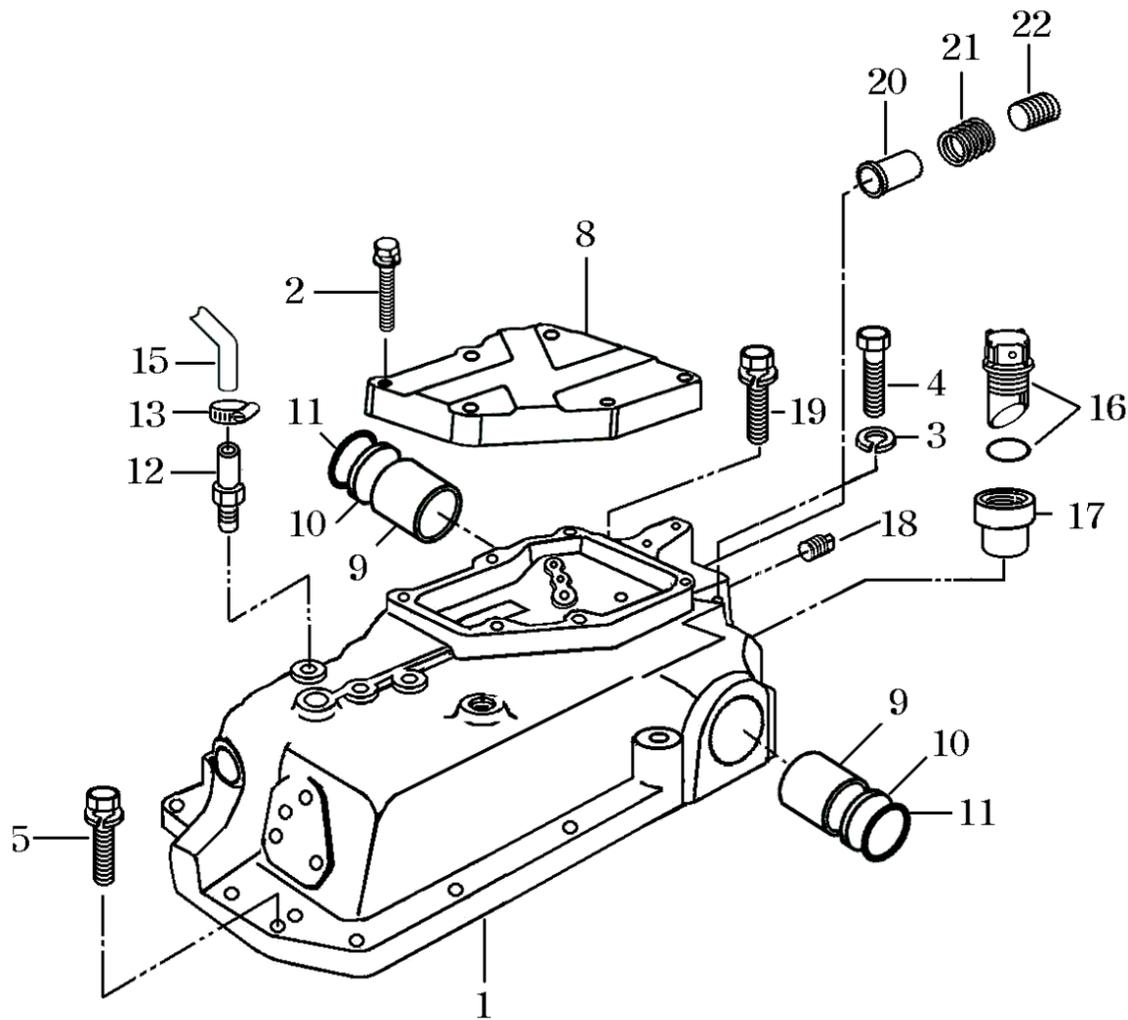
NOTE

KEY NO.	PART NO.	DESCRIPTION	SPEC.	QTY.	REPAIR	EFFECTIVE DATE	REMARKS
064 001	16744310010	SHAFT		1			
064 002	V7041400250	C-RING , SHAFT	25	2			
064 003	14251320150	COUPLING		2			
064 004	16744312000DG	TUBE COMP		1			
064 005	15644312003DG	TUBE COMP		1			
064 006	V7201035038	O-RING , P	P38	1			
064 007	V7201035041	O-RING , P	P41	1			
064 008	14884100031DG	CLAMP		1			
064 009	V2173608040	BOLT , HEX/S	M8X40	1			
064 010	V3042600080	NUT , HEX/2	M8	1			
064 011	V2113606010	BOLT , HEX /S	M6X10	1			
064 014	16744313000	PIPE SUB		1			
064 018	V7441256210	SEAL , OIL/D	D256210	1	B		
064 020	16704112000	DIFF ASSY , FF		1			
064 021	16704112010	PINION , BEVEL 8T		1			
064 022	16704112110	GEAR , BEVEL 35T		1			
064 023	16704310030	CASE , FR DIFF		1			
064 025	16704320020	PINION , DIFF(12)		2			
064 026	14273010050	COLLAR , THRUST		2			
064 027	16704310160	GEAR , DIFF SIDE(20)		2			
064 028	16704320050	WASHER , THRUST		2			
064 029	V5801405025	PIN , SPRING	5X25	1			
064 031	16704110060	SHAFT , DIFF PINION		1			
064 032	V5801403025	PIN , SPRING	3X25	1			
064 033	V6001106212	BEARING , BALL	6212	1			
064 034	17994420060	SNAP RING , C TYPE		1			
064 043	V7051400620	C-RING , HOLE	62	1			
064 045	14254310080	SHIM , A		1			
064 046	14152050160	SHIM , B		1			
064 047	15024320020	BEARING , TAPER ROLLER		2			
064 048	16704112120	COLLAR		1			
064 051	14884110090	NUT , M30		1			
064 065	V6001106211	BEARING , BALL	6211	1			
064 066	16704110121	SHIM		2			

NOTE



NOTE



NOTE

KEY NO.	PART NO.	DESCRIPTION	SPEC.	QTY.	REPAIR	EFFECTIVE DATE	REMARKS
069 000	17995019100	CASE ASSY. CYLINDER		1			
069 001	17995010013M	CASE , CYLINDER		1			
069 002	V2173608040	BOLT , HEX/S	M8X40	6			
069 003	V4011600100	WASHER , SPRING	M10	4			
069 004	V2013610070	BOLT , HEX	M10X70	4			
069 005	V2173610035	BOLT , HEX/S	M10X35	9			
069 008	17995010081M	COVER , MAIN CONTROL VALVE		1			
069 009	17995050090	BUSH , 50X55X40		2	C		
069 010	V7212031055	O-RING , G	G55	2	B		
069 011	17995010110	RING		2	B		
069 012	17994360221	CONNECTOR		1			
069 013	14501410050	CLAMP , WORM 14.5		1			
069 015	17995010150	HOSE . 500		1	C		
069 016	15184322500	CAP ASSY , OIL		1			
069 017	15975010011M	COLLAR , 24X38X45		1			
069 018	V7801000004	PLUG , HEX-SOCKET	R1/4	5			
069 019	V2173610065	BOLT , HEX/S	M10X65	1			
069 020	12305180020	FILTER , 80 MESH		1	B		
069 021	17995010210	SPRING		1			
069 022	17995010220	PLUG , PT1/2		1			

NOTE

FIG 075

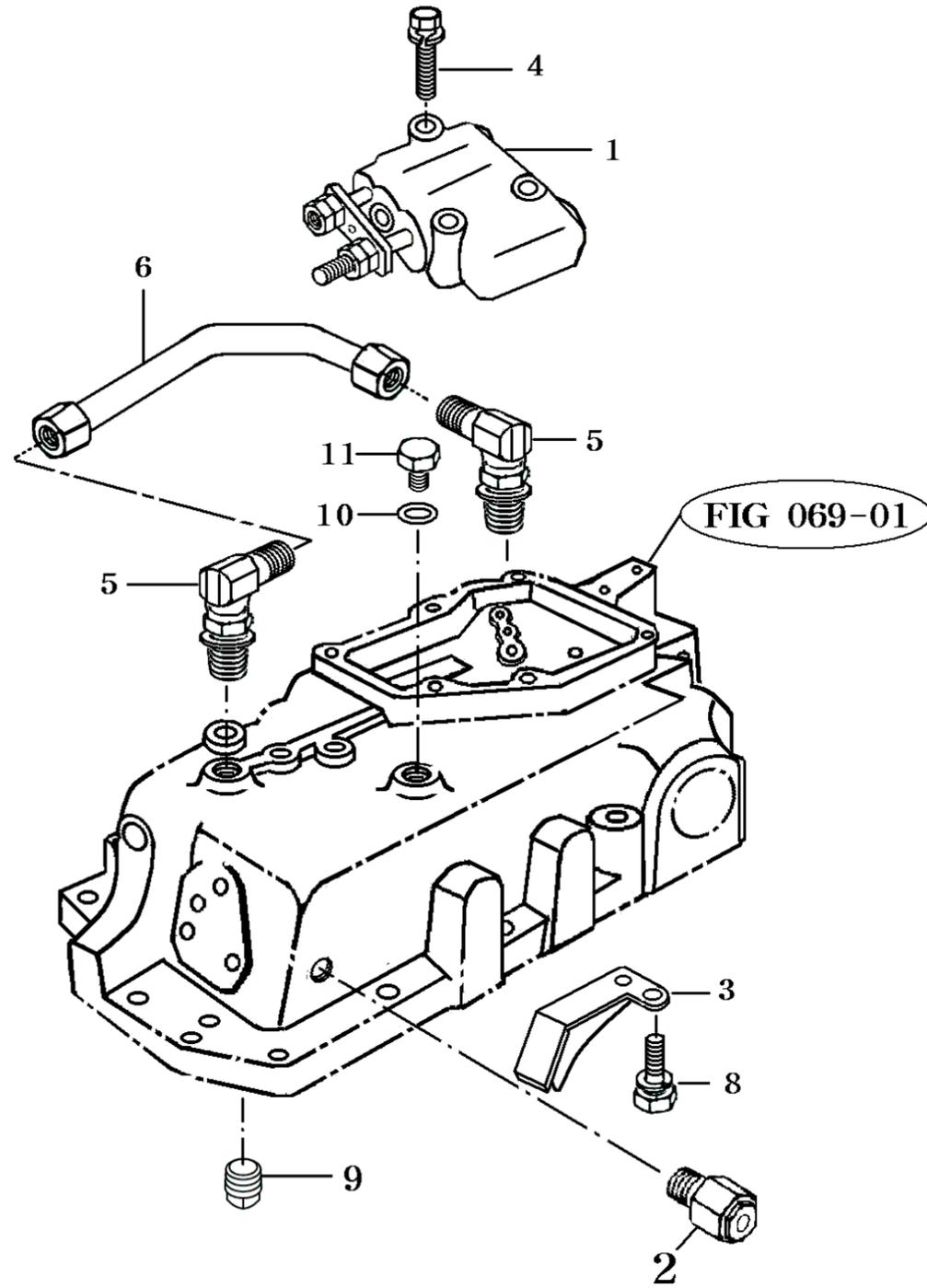
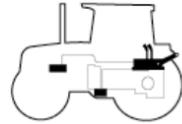
CONTROL VALVE

4510C

P1

Month/Year

06 / 2005



NOTE

FIG 075

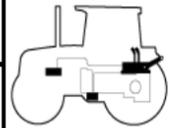
CONTROL VALVE

4510C

P1

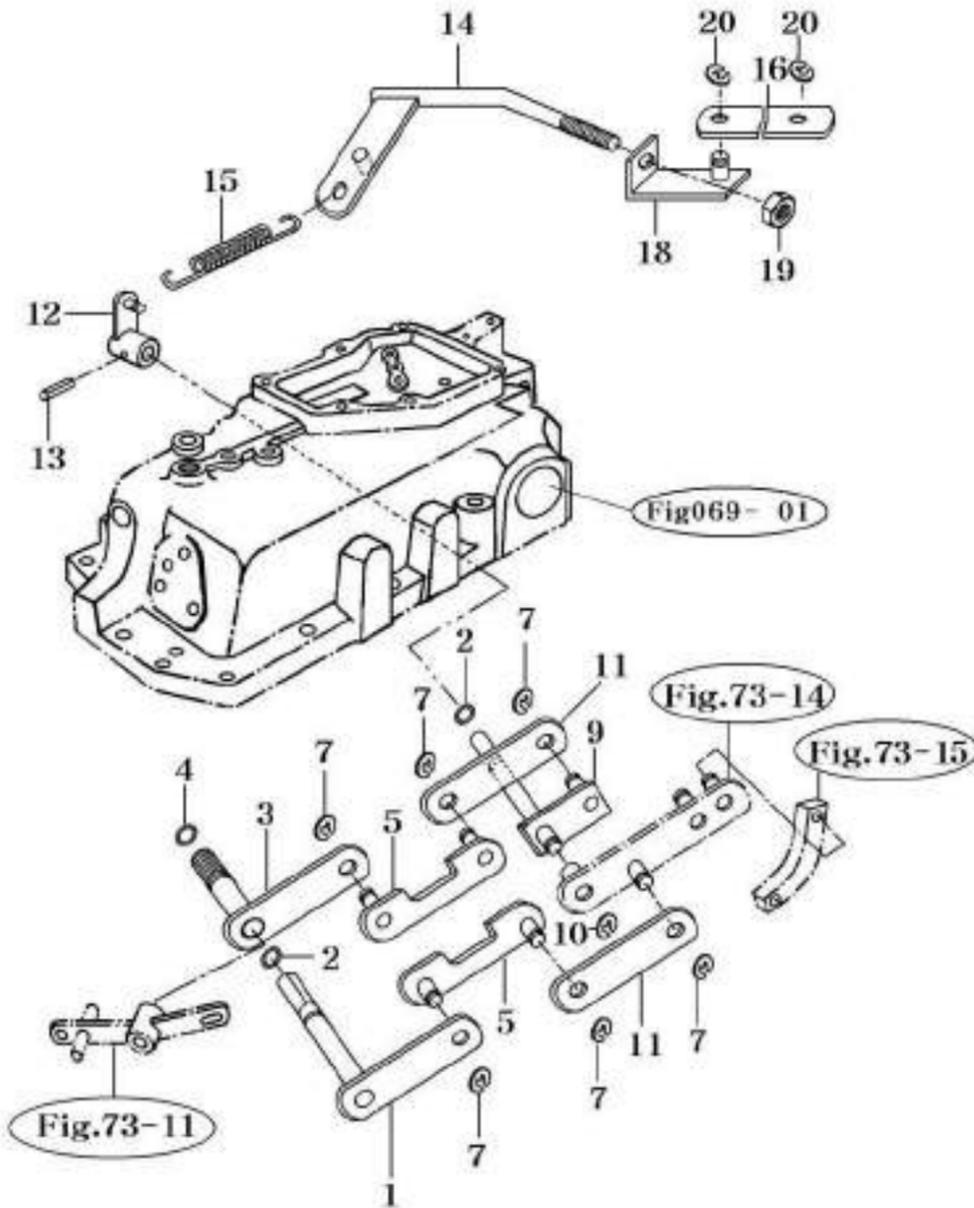
Month / Year

06 / 2005



KEY NO.	PART NO.	DESCRIPTION	SPEC.	QTY.	REPAIR	EFFECTIVE DATE	REMARKS
075 001	17995050100	VALVE ASSY , MAIN CONTROL		1	C		
075 002	17680070000	VALVE ASSY . RELIEF		1	C		
075 003	17995050030	GUIDE OIL		1			
075 004	V2173608045	BOLT , HEX/S	M8X45	3			
075 005	16735304100	ELBOW , 90		2			
075 006	16735050601	PIPE , CYLINDER		1			
075 008	V2173608016	BOLT , HEX/S	M8X16	2			
075 009	V7811600006	PLUG , SQUARE		1			
075 010	V7201024011	O-RING , P		1			
075 011	76500800100	PLUG , HEX		1			

NOTE

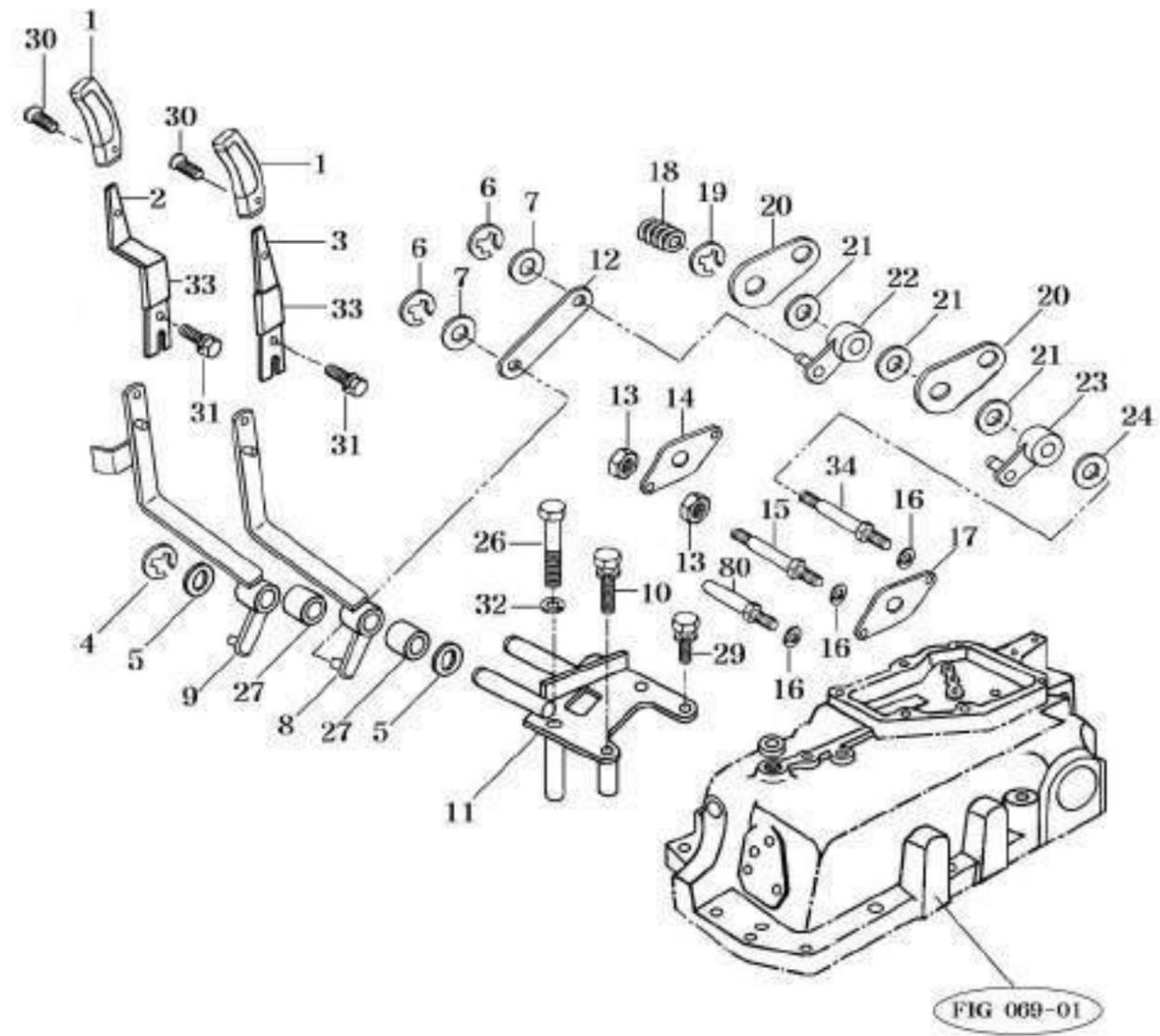
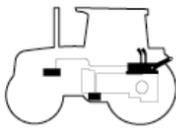


NOTE

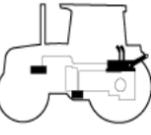
KEY NO.	PART NO.	DESCRIPTION	SPEC.	QTY.	REPAIR	EFFECTIVE DATE	REMARKS
076 001	17995041500	SHAFT COMP , POSITION		1			
076 002	V7201019009	O-RING , P	P9	2	B		
076 003	17995041200	SHAFT COMP , DRAFT		1			
076 004	V7201024016	O-RING , P	P16	1	B		
076 005	17995060050	LINK COMP , B		2			
076 007	V7081400060	E-RING	6	6			
076 009	17995061300	ARM , COMP , IN , LINK		1			
076 010	V7081400090	E-RING	9	1			
076 011	17995060060	LINK		2		-2005.10.30	
076 011	17995060061	LINK		2		2005.10.31-	
076 012	17995060120	ARM , OUT , LINK		1			
076 013	V5801404018	PIN , SPRING	4X18	1			
076 014	16735061400	ROD , A		1			
076 015	17995060150	SPRING		1			
076 016	17995060160	LINK , A	25X6T	1			
076 018	17995061800	LINK COMP , B		1			
076 019	V3043600080	NUT , HEX/2	M8	3			
076 020	V7081400080	E-RING	8	2			

NOTE



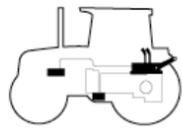


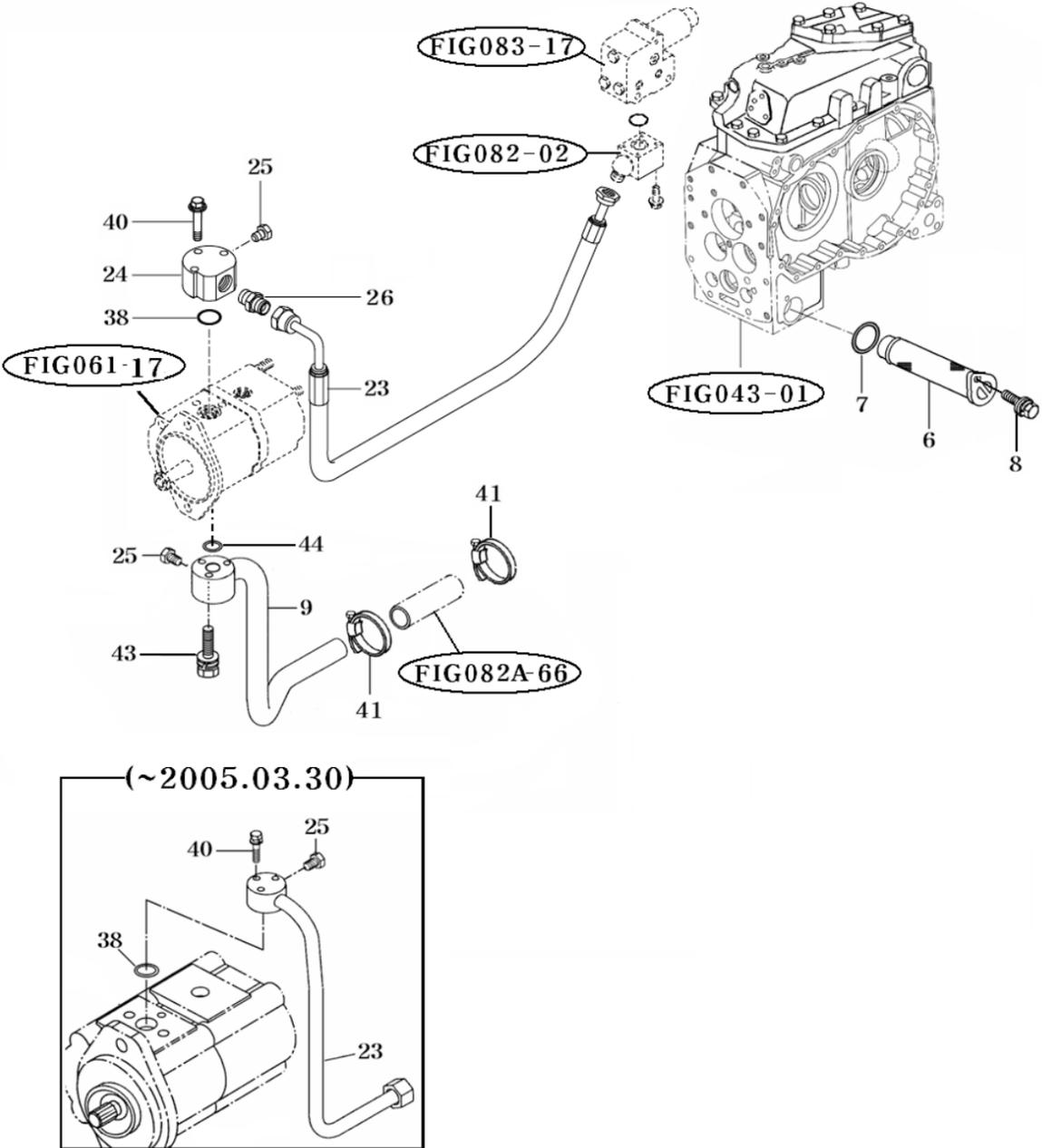
NOTE



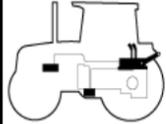
KEY NO.	PART NO.	DESCRIPTION	SPEC.	QTY.	REPAIR	EFFECTIVE DATE	REMARKS
077 001	15605110054	GRIP , 3X17X97		2			
077 002	12405120034DG	LEVER , PLATE		1			
077 003	15645120032DG	LEVER , PLATE		1			
077 004	V7081400120	E-RING	12	1			
077 005	V4111600160	WASHER , PLAIN	M16	2			
077 006	V7081400080	E-RING	8	4			
077 007	V4111600100	WASHER , PLAIN	M10	4			
077 008	16735070080	LINK COMP , LIFT 1		1			
077 009	16735070090	LINK COMP , LIFT 2		1			
077 010	V2173608050	BOLT . HEX/S	M8X50	1			
077 011	16735071100	PIN COMP , LINK		1		-2004.09.30	
077 011	16735071101	PIN COMP , LINK		1		2004.10.01-	
077 012	16735070120	LINK , CONNECT		2			
077 013	V3043600100	NUT , HEX/2	M10	4			
077 014	17995070140	PLATE , C		1			
077 015	17995070150	BOLT , SUPPORT		1			
077 016	V4011600100	WASHER , SPRING	M10	3			
077 017	17995070170	PLATE , D		1			
077 018	17995070180	SPRING		1			
077 019	V7081400120	E-RING	12	1			
077 020	17995070200	PLATE , A		2			
077 021	17995070211	PLATE , FRICTION		3			
077 022	17995070220	ARM , COMP , POSITION LEVER		1			
077 023	17995072300	ARM , COMP , DRAFT LEVER		1			
077 024	17995070241	PLATE , FRICTION		1			
077 026	V2013608110	BOLT , HEX	M8X110	1			
077 027	17995070270	BUSH , 16X18X33		2			
077 029	V2173608020	BOLT , HEX/S	M8X20	2			
077 030	V1122605012	SCREW , C/R FLAT	M5X12	2			
077 031	V2173608012	BOLT , HEX/S	M8X12	2			
077 032	V4011600080	WASHER , SPRING	M8	1			
077 033	15603160025	TUBE , STRAIGHT 80		2			
077 034	17995070340	BOLT , SUPPORT		1			
077 080	17995070800	BOLT , STOP		1			

NOTE

FIG 081 4510C	HYDRAULIC PIPE (1)	P1	Month/Year	
			06 / 2005	

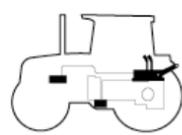


NOTE

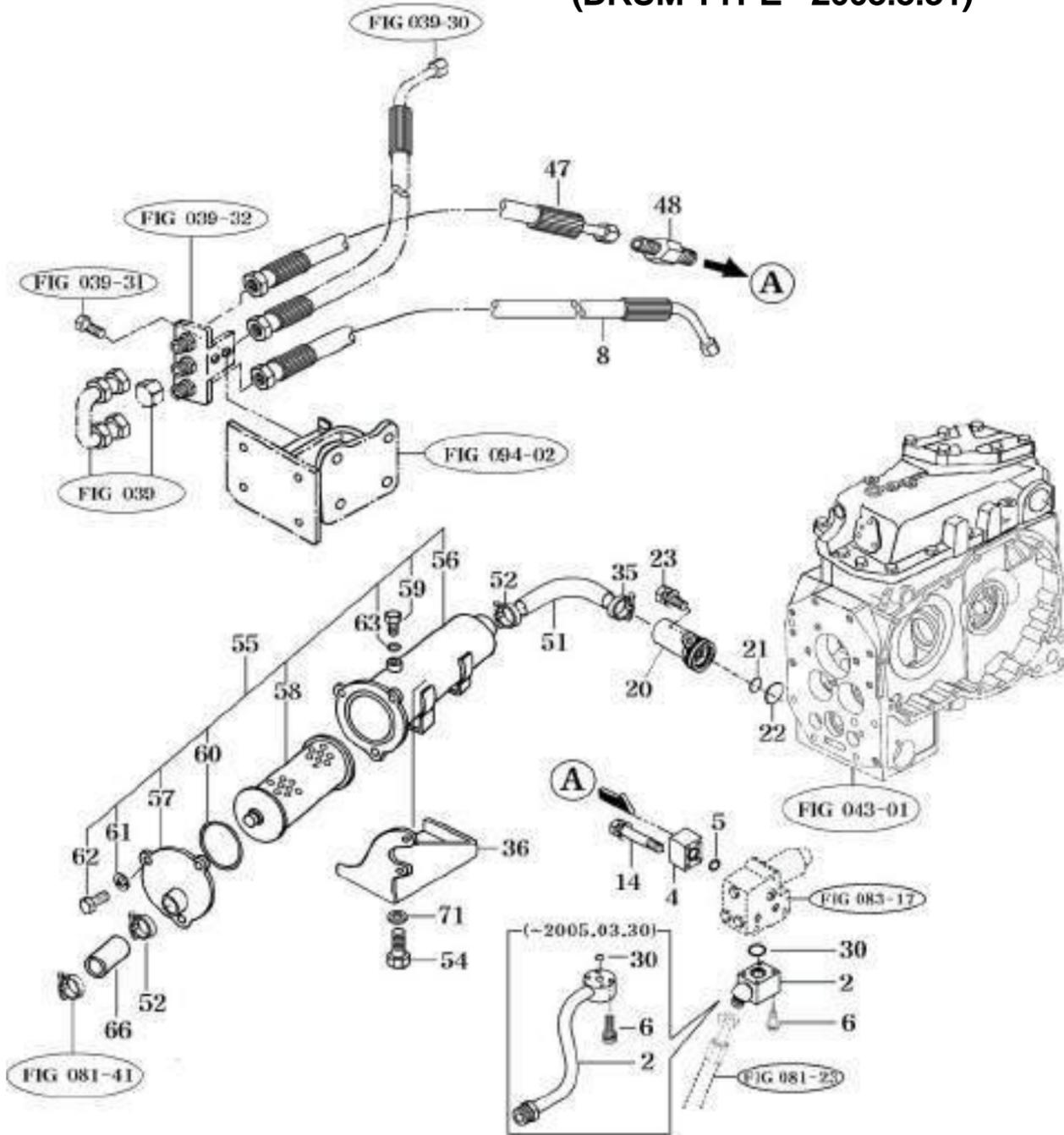
FIG 081 4510C	P1	Month / Year	
		06 / 2005	

KEY NO.	PART NO.	DESCRIPTION	SPEC.	QTY.	REPAIR	EFFECTIVE DATE	REMARKS
081 006	15645153000	FILTER , SUCTION HYD		1	B		
081 007	V7211031045	O-RING , G	G45	1	B		
081 008	V2183610025	BOLT , HEX/SP	M10X25	1			
081 009	12405152500DG	PIPE COMP , INLET		1		-2005.05.31	
081 009	16582632602DG	PIPE COMP , INLET		1		2005.06.01-	
081 023	12405152200DG	PIPE COMP , FR DELIV		1		-2005.03.30	
081 023	16735100070	HOSE , HYD 840		1		2005.03.31-	
081 024	16735100010	FLANGE		1		2005.03.31-	
081 025	13267060022	PLUG , DRAIN		2			
081 026	16735100020	ADAPTER . PF 1/2		1		2005.03.31-	
081 038	V7201124020	O-RING , P	P20	1	B		
081 040	V2173608040	BOLT , HEX/S	M8X40	3		-2005.03.30	
081 040	V2173608045	BOLT , HEX/S	M8X45	3		2005.03.31-	
081 041	14445100080	CLAMP . HOSE		1		-2005.05.31	
081 041	14801020070	CLAMP . HOSE		1		2005.06.01-	
081 043	V2173608055	BOLT , HEX/S	M8X55	2			
081 044	V7201124022	O-RING , P	P22	1	B		

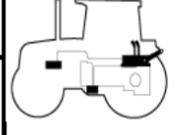
NOTE

FIG 082 4510C	HYDRAULIC PIPE (2)-DRUM TYPE	P1	Month/Year	
			06 / 2005	

(DRUM TYPE ~2005.5.31)

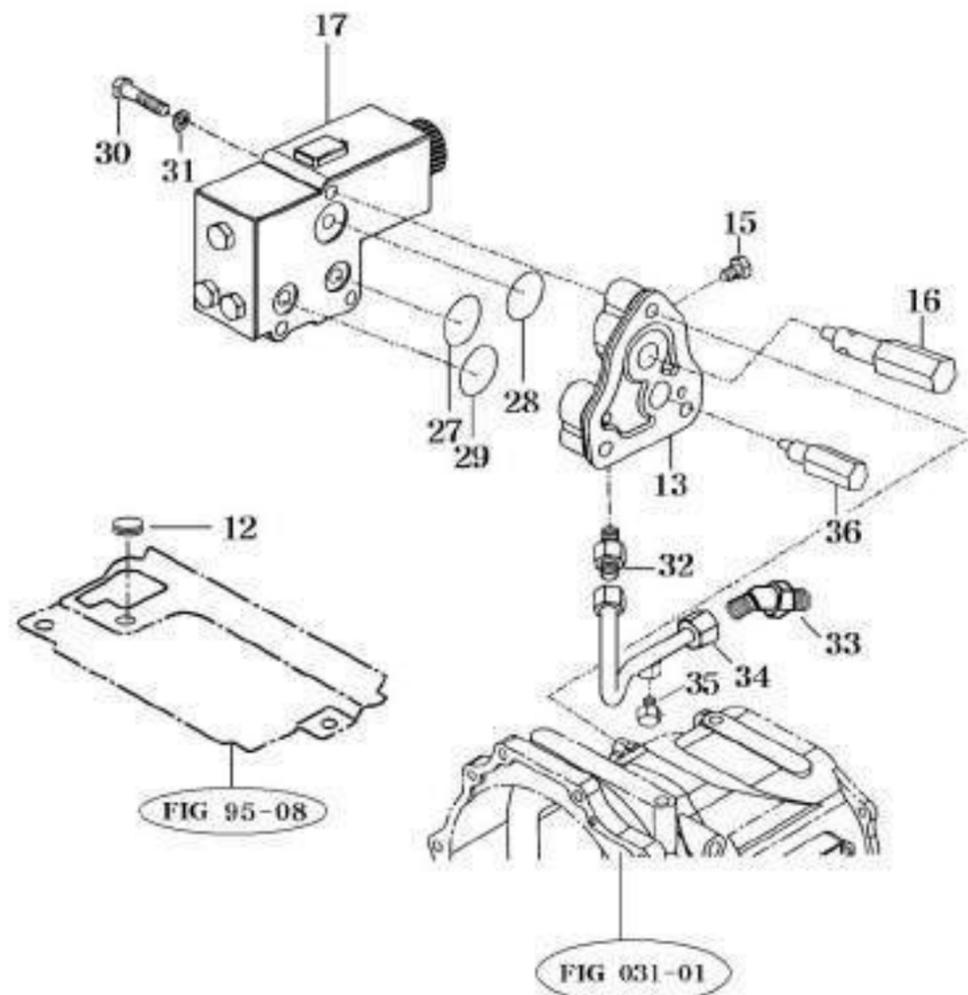


NOTE

FIG 082 4510C	HYDRAULIC PIPE (2)-DRUM TYPE	P1	Month / Year	
			06 / 2005	

KEY NO.	PART NO.	DESCRIPTION	SPEC.	QTY.	REPAIR	EFFECTIVE DATE	REMARKS
082 002	15685152603	PIPE COMP , DELIVERY		1		~2005.03.30	
082 002	16735102200	FLANGE COMP		1		2005.03.31-2005.05.31	
082 004	15605150015	CONNECTOR		1		~2005.05.31	
082 005	V7201124020	O-RING , P	P20	1	B	~2005.05.31	
082 006	V2113606035	BOLT , HEX /S	M6X35	4		~2005.03.30	
082 006	V2113606040	BOLT , HEX /S	M6X40	4		2005.03.31-2005.05.31	
082 008	16745152330	HOSE ASSY , HYD 1900		1	C	~2005.05.31	
082 014	V2113606035	BOLT , HEX /S	M6X35	4		~2005.05.31	
082 020	15265152301	PIPE COMP , RR SUCTION		1		~2005.05.31	
082 021	V7211031035	O-RING , G	G35	1	B	~2005.05.31	
082 022	V7211031045	O-RING , G	G45	1	B	~2005.05.31	
082 023	V2173610020	BOLT , HEX/S	M10X20	1		~2005.05.31	
082 030	V7201124014	O-RING , P	P14	1	B	~2005.03.30	
082 030	V7201124020	O-RING , P	P20	1	1	2005.03.31-2005.05.31	
082 035	14801020070	CLAMP , 40		1		~2005.05.31	
082 036	15265152002DG	BRACKET COMP , FILTE		1		~2005.05.31	
082 047	15004070010	HOSE ASSY , HYD 470		1	C	~2005.05.31	
082 048	15005152380	UNION		1		~2005.05.31	
082 051	15265150020	HOSE		1		~2005.05.31	
082 052	14241010050	CLIP , 42		2		~2005.05.31	
082 054	V2173608025	BOLT , HEX/S	M8X25	4		~2005.05.31	
082 055	15005153000DG	FILTER ASSY , SUCTIO		1		~2005.05.31	
082 056	15015082412	CASE COMP		1		~2005.05.31	
082 057	15015082422	COVER		1		~2005.05.31	
082 058	15005153010	ELEMENT		1	A	~2005.05.31	
082 059	14869352050	PLUG , DRAIN		1		~2005.05.31	
082 060	V7211031140	O-RING , G	G140	1	B	~2005.05.31	
082 061	V4011600100	WASHER , SPRING	M10	6		~2005.05.31	
082 062	V2012610025	BOLT , HEX	M10X25	6		~2005.05.31	
082 063	V7201019008	O-RING , P	P8	1	B	~2005.05.31	
082 066	16495100010	HOSE		1		~2005.05.31	
082 071	35602010150	WASHER , BIND SHAFT		4		~2005.05.31	

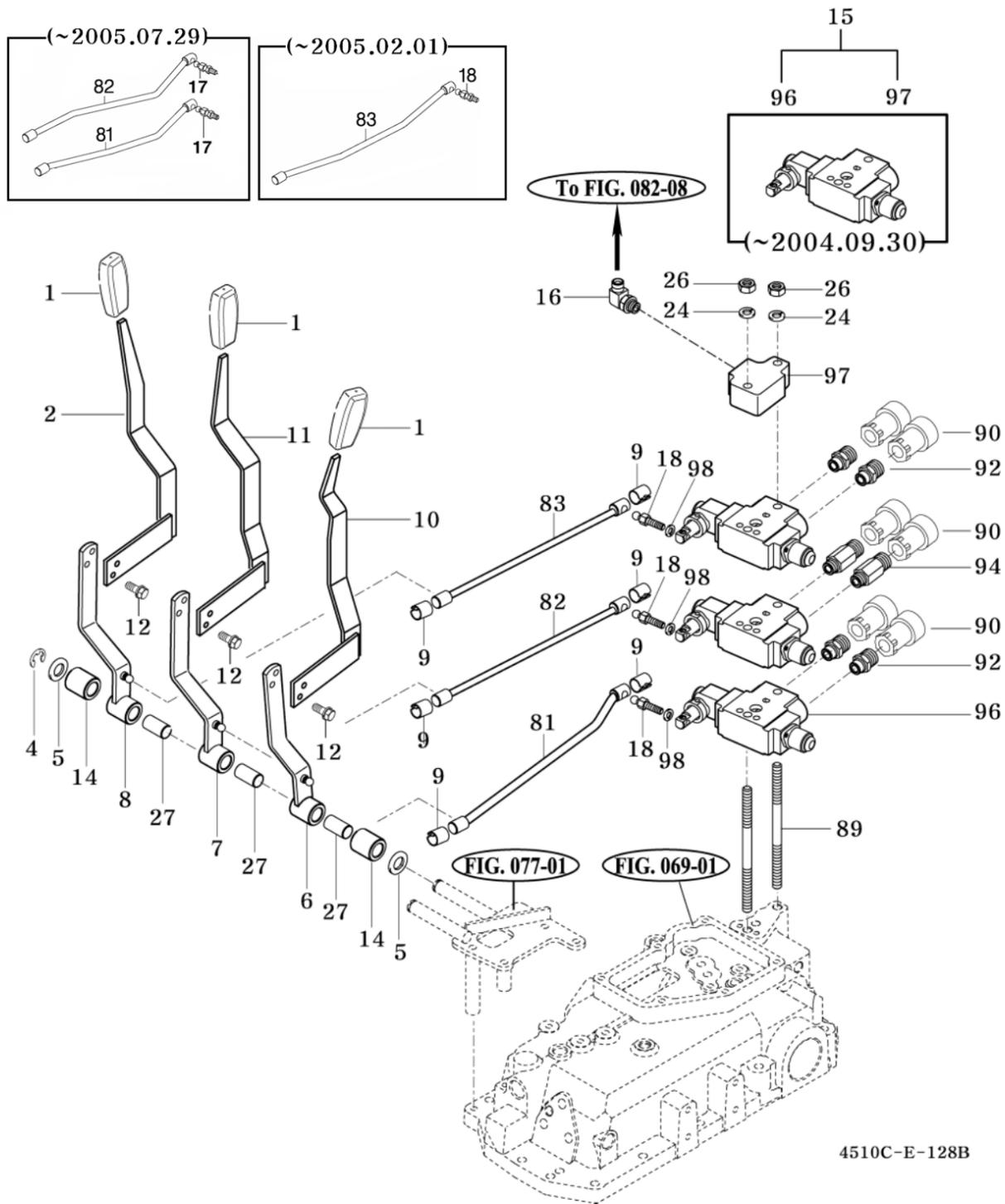
NOTE



NOTE

KEY NO.	PART NO.	DESCRIPTION	SPEC.	QTY.	REPAIR	EFFECTIVE DATE	REMARKS
083	012	15606300310		1			
083	013	15615182016M		1			
083	015	13267060022		1			
083	016	15615182301		1	C		
083	017	16605182000		1	C		
083	027	V7201119009	P9	1	B		
083	028	V7201124020	P20	1	B		
083	029	V7201124014	P14	3	B		
083	030	V2013608085	M8X85	3			
083	031	V4011600080	M8	3			
083	032	14444080062		1			
083	033	15615180013		1			
083	034	15645152904		1			
083	035	13267060022		1			
083	036	15640090001		1	C		

NOTE

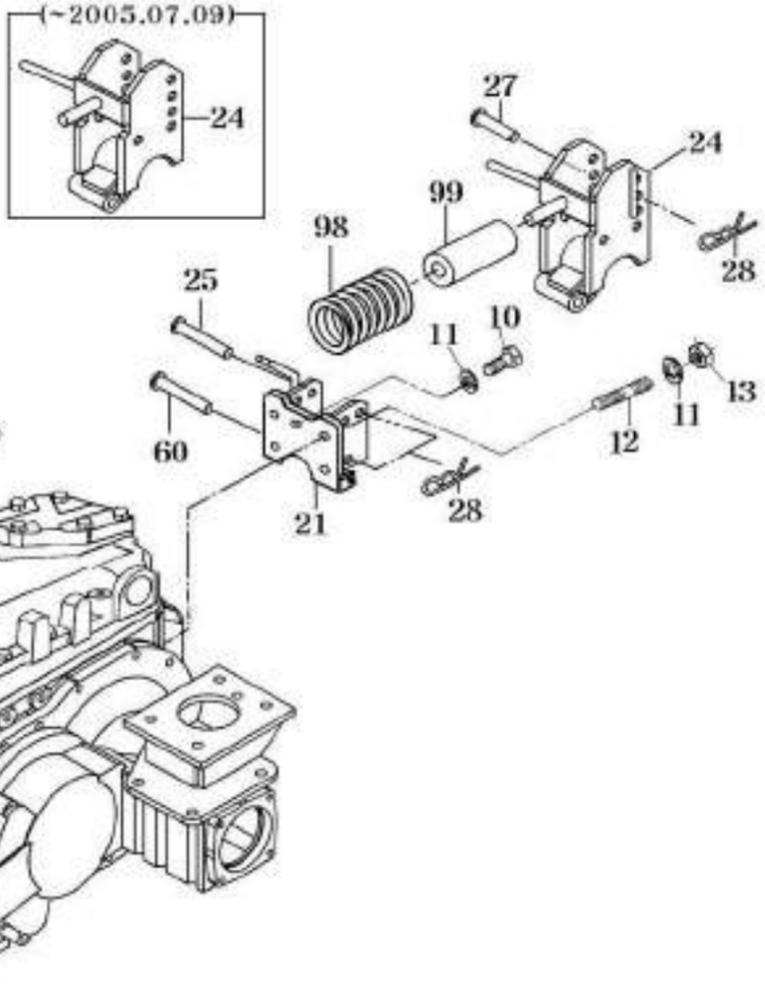


KEY NO.	PART NO.	DESCRIPTION	SPEC.	QTY.	REPAIR	EFFECTIVE DATE	REMARKS
128 001	14322420040	CLIP		3			
128 002	16735122300DG	LEVER COMP , EXTERIO		1			
128 004	V7081400120	E-RING	12	1			
128 005	V4111600160	WASHER , PLAIN	M16	2			
128 006	16735082100	ARM COMP , EXTERIOR HYD 1		1		-2004.09.30	
128 006	16735082101	ARM COMP , EXTERIOR HYD 1		1		2004.10.01-	
128 007	16735082200	ARM COMP , EXTERIOR HYD 2		1		-2004.09.30	
128 007	16735082201	ARM COMP , EXTERIOR HYD 2		1		2004.10.01-	
128 008	16735082300	ARM COMP , EXTERIOR HYD 3		1		-2004.09.30	
128 008	16735082301	ARM COMP , EXTERIOR HYD 3		1		2004.10.01-	
128 009	17995080091	SPRING , LOCK		6			
128 010	16735122100DG	LEVER COMP , EXTERIO		1			
128 011	16735122200DG	LEVER COMP , EXTERIO		1			
128 012	V2113606012	BOLT , HEX /S	M6X12	3			
128 014	16735080010	COLLAR		2			
128 015	17995080151	VALVE ASSY , AUX EXTERIOR 6P		1		-2004.09.30	
128 015	17995080152	VALVE ASSY , AUX EXTERIOR 6P		1		2004.10.01-	
128 016	17407362300	ELBOW , PF3/8 PF1/2		1			
128 017	17995080171	JOINT , LINK		2		-2005.07.29	
128 018	16745080170	JOINT , LINK		1		-2005.02.01	
128 018	16745080171	JOINT , LINK		1		-2005.07.29	
128 018	16745080171	JOINT , LINK		3		2005.07.30-	
128 024	V4011600100	WASHER , SPRING	M10	2			
128 026	V3043600100	NUT , HEX/2	M10	2			
128 027	17995070270	BUSH , 16X18X33		3			
128 081	16735088100	ROD COMP , EXTERIOR HYD 1		1		-2004.09.30	
128 081	16735088101	ROD COMP , EXTERIOR HYD 1		1		-2005.07.29	
128 081	16735088102	ROD COMP , EXTERIOR HYD 1		1		2005.07.30-	
128 082	16735088201	ROD COMP , EXTERIOR HYD 2		1		-2004.09.30	
128 082	16735088202	ROD COMP , EXTERIOR HYD 2		1		-2005.07.29	
128 082	16735088203	ROD COMP , EXTERIOR HYD 2		1		2005.07.30-	
128 083	16735088801	ROD COMP , EXTERIOR HYD 3		1		-2004.09.30	
128 083	16735088802	ROD COMP , EXTERIOR HYD 3		1		-2005.02.01	
128 083	16735088803	ROD COMP , EXTERIOR		1		2005.02.02-	
128 089	17995080890	BOLT , STUD 170		2			
128 090	16995152360	COUPLING , 1/2		6			
128 092	17995080201	UNION , 1/2		4			
128 094	17995080931	UNION , 1/2 L60		2			
128 096	17995080960	VALVE , AUX EXTERIOR SPRING		3	C	-2004.09.30	
128 096	17995080961	VALVE , AUX EXTERIOR SPRING		3	C	2004.10.01-	
128 097	17995080970M	COVER , EXTERIOR HYD		1			
128 098	V4011600080	WASHER , SPRING		1		2005.02.02-2005.07.29	
128 098	V4011600080	WASHER , SPRING		3		2005.07.30-	

NOTE

NOTE

FIG 084	LINK BRACKET	P1	Month/Year	
4510C			06 / 2005	

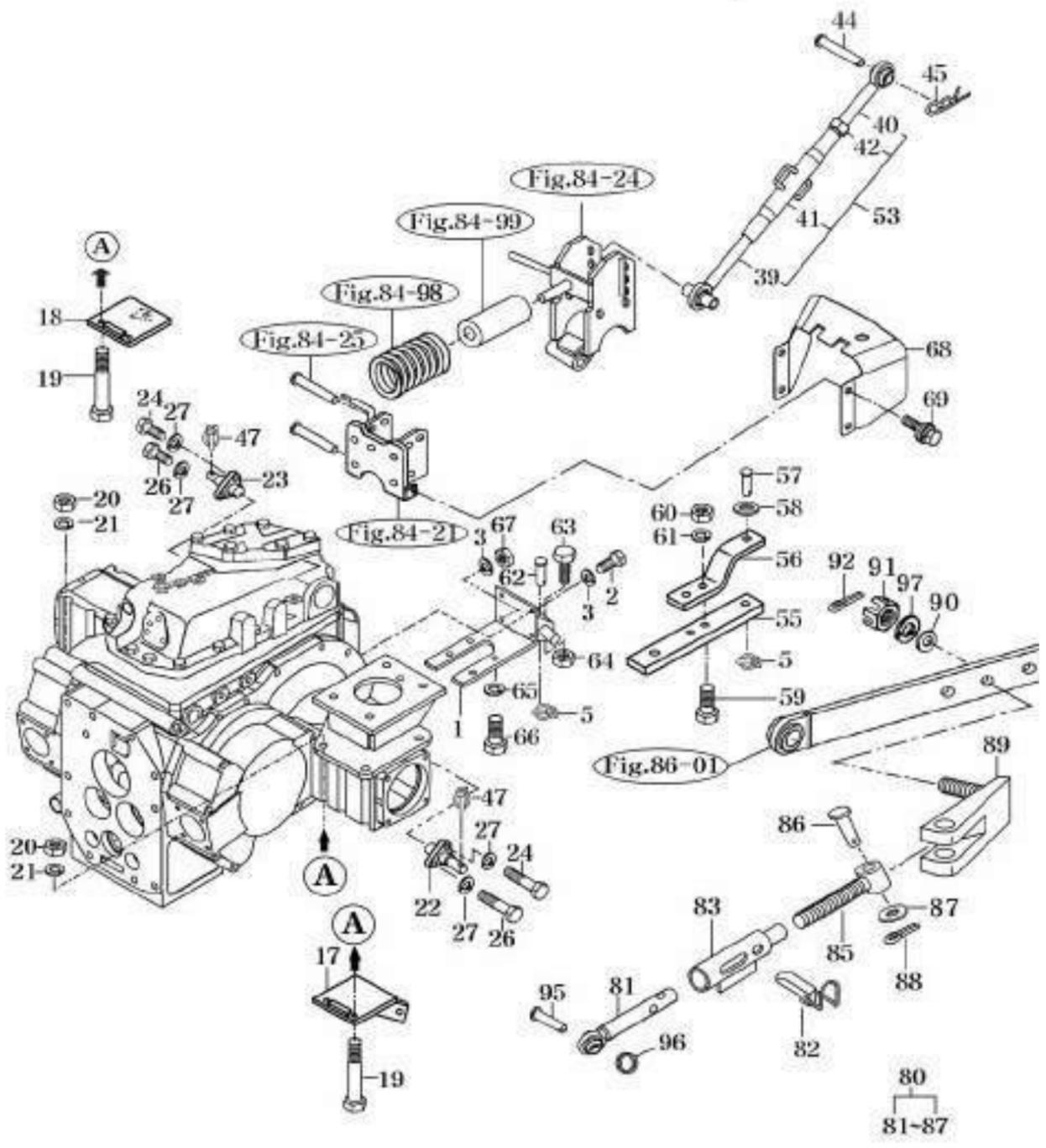


NOTE

FIG 084	LINK BRACKET	P1	Month / Year	
4510C			06 / 2005	

KEY NO.	PART NO.	DESCRIPTION	SPEC.	QTY.	REPAIR	EFFECTIVE DATE	REMARKS
084 010	V2013616035	BOLT , HEX	M16X35	3			
084 011	V4011600160	WASHER , SPRING	M16	5			
084 012	V2513416035	BOLT , STUD/2	M16X35	2			
084 013	V3043600160	NUT , HEX/2	M16	2			
084 021	12755222000DG	BRACKET COMP		1			
084 024	16735222101DG	LINK COMP		1		-2005.7.09	
084 024	16735222102DG	LINK COMP		1		2005.07.10-	
084 025	15645250010	PIN , 19X122		1			
084 027	15645220020	PIN , 19X95		1			
084 028	14445140051	PIN , 19		3			
084 060	15645250010	PIN , 19X122		1			
084 098	15685100020DG	SPRING , HC 067		1			
084 099	17995220990	RUBBER , GUIDE		1	B		

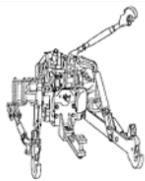
NOTE

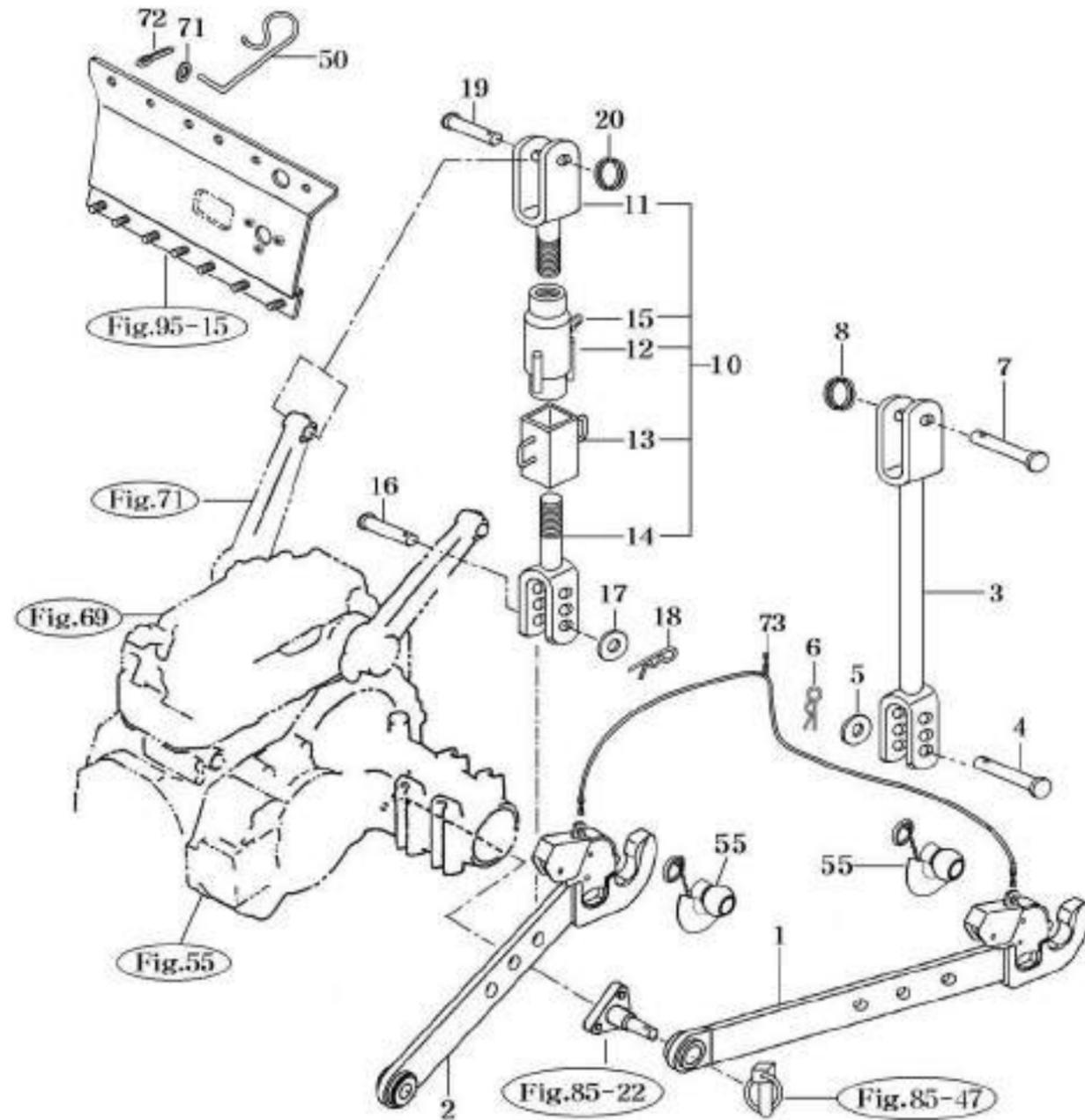


NOTE

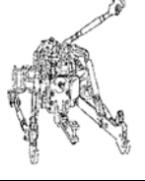
KEY NO.	PART NO.	DESCRIPTION	SPEC.	QTY.	REPAIR	EFFECTIVE DATE	REMARKS
085 090	V4011600180	WASHER , SPRING	M18	2			
085 091	V3212600180	NUT , HEX SLOT & CAS	M18	2		-2005.01.12	
085 091	V3202600180	NUT , HEX SLOT & CAS	M18XP1.5	2		2005.01.13-	
085 092	V5001940035	PIN , SPLIT	4X35	2			
085 095	15645220020	PIN , 19X95		2			
085 096	16735240060	SPRING		2		-2005.01.12	
085 096	12505240060	SPRING (45)		2		2005.01.13-	
085 097	V4011600180	WASHER , SPRING	M18	2		2005.01.13-	

NOTE

FIG 086 4510C	LOWER LINK & LIFT ROD	P1	Month/Year	
			06 / 2005	

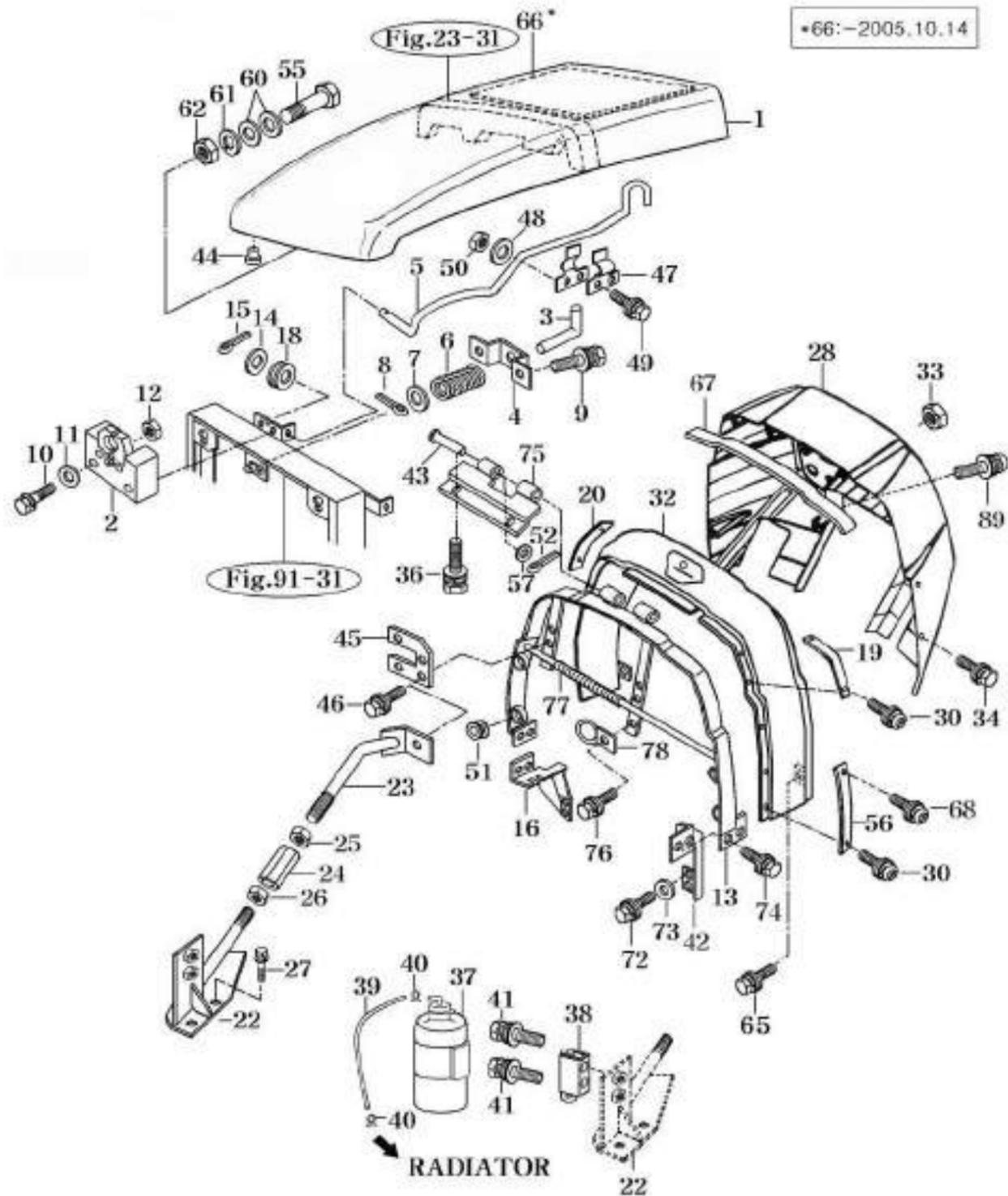


NOTE

FIG 086 4510C	LOWER LINK & LIFT ROD	P1	Month / Year	
			06 / 2005	

KEY NO.	PART NO.	DESCRIPTION	SPEC.	QTY.	REPAIR	EFFECTIVE DATE	REMARKS
086 001	17705252001DG	LINK ASSY . LH LOWER		1		-2005.01.12	
086 001	16745252000DG	LINK ASSY . LH LOWER		1		2005.01.13-	
086 002	17705256001DG	LINK ASSY . RH LOWER		1		-2005.01.12	
086 002	16745256000DG	LINK ASSY . RH LOWER		1		2005.01.13-	
086 003	16735243000DG	ROD ASSY , LIFT		1		-2005.01.12	
086 003	12505243000DG	ROD ASSY , LIFT		1		2005.01.13-	
086 004	16605260010	PIN (16X62)		1		-2005.01.12	
086 004	15605260014			1		2005.01.13-	
086 005	V4111600160	WASHER , PLAIN	M16	1			
086 006	V5601600016	PIN , SNAP	16	1			
086 007	16735243500	PIN		1		-2005.01.12	
086 007	12505243500	PIN (19X70)		1		2005.01.13-	
086 008	16735240060	SPRING		1		-2005.01.12	
086 008	12505240060	SPRING (45)		1		2005.01.13-	
086 010	16735245300DG	ROD ASSY , LIFT		1		-2005.01.12	
086 010	12505245300DG	ROD ASSY , LIFT		1		2005.01.13-	
086 011	16735245311	ROD , COMP , LH		1		-2005.01.12	
086 011	12505245310	ROD , COMP , LH		1		2005.01.13-	
086 012	16735245321	SLEEVE COMP		1		-2005.01.12	
086 012	12505245320	SLEEVE COMP		1		2005.01.13-	
086 013	16735245351	HANDLE COMP		1		-2005.01.12	
086 013	12505245330	HANDLE COMP		1		2005.01.13-	
086 014	16735245341	ROD , COMP , RH		1		-2005.01.12	
086 014	12505245340	ROD , COMP , RH		1		2005.01.13-	
086 015	V7601500000	NIPPLE , GREASE/A-M6F	A-M6F.P=1.0	1		-2005.01.12	
086 015	12505245350	NIPPLE , GREASE/A-M6F		1		2005.01.13-	
086 016	16605260010	PIN , 16X62		1		-2005.01.12	
086 016	15605260014	PIN , 16X51		1		2005.01.13-	
086 017	V4111600160	WASHER , PLAIN	M16	1			
086 018	V5601600016	PIN , SNAP	16	1			
086 019	16735243500	PIN		1		-2005.01.12	
086 019	12505243500	PIN (19X70)		1		2005.01.13-	
086 020	16735240060	SPRING		1		-2005.01.12	
086 020	12505240060	SPRING (45)		1		2005.01.13-	
086 050	17994500591	STOPPER ASSY , TOP LINK		1			
086 055	16505240300	BUSH , GUIDE		2		-2005.01.12	
086 055	16745240300	BUSH , GUIDE		2		2005.01.13-	
086 071	V4111600060	WASHER , PLAIN	M6	1			
086 072	V5001925015	PIN , SPLIT	2.5X15	1			
086 073	16995252601	WIRE ASSY		1			

NOTE

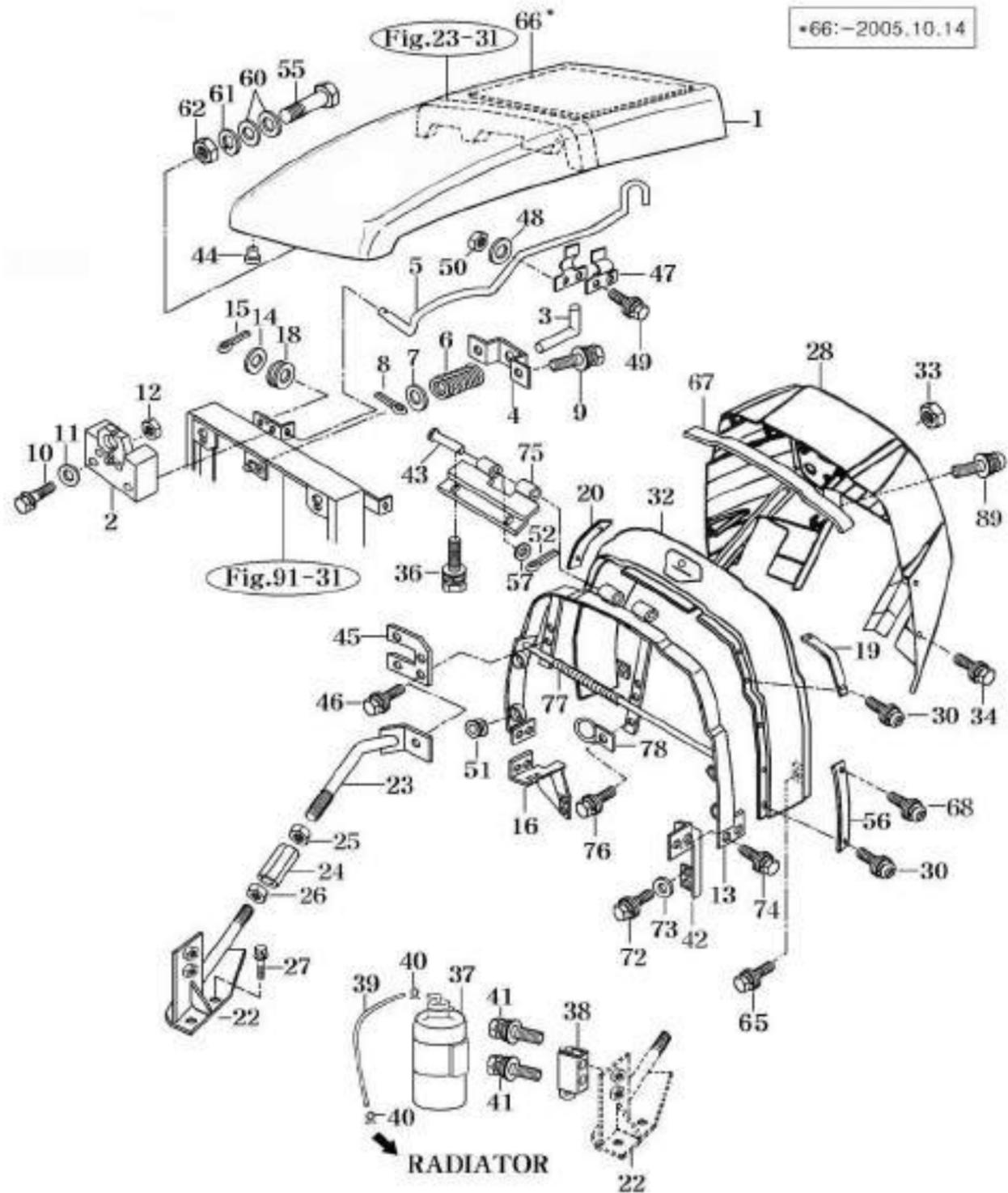


NOTE



KEY NO.	PART NO.	DESCRIPTION	SPEC.	QTY.	REPAIR	EFFECTIVE DATE	REMARKS
090 001	16006201001BR	HOOD COMP		1			
090 002	16996020600	LOCK COMP , HOOD		1			
090 003	16996020650DG	ROD , HOOD OPENING		1			
090 004	16996020662DG	PLATE		1			
090 005	16006020680	STAY , HOOD		1			
090 006	16996010280	SPRING		1			
090 007	V4111600160	WASHER , PLAIN	M16	1			
090 008	V5001940025	PIN , SPLIT	4X25	1			
090 009	V2173608016	BOLT , HEX/S	M8X16	2			
090 010	V2053606035	BOLT , HEX C/R	M6X35	2			
090 011	V4111600060	WASHER , PLAIN	M6	2			
090 012	V3002600060	NUT , HEX/1	M6	2			
090 013	16006052104DG	FRAME COMP , HOOD		1			
090 014	V4111600100	WASHER , PLAIN	M10	1			
090 015	V5001925025	PIN , SPLIT	2.5X25	1			
090 016	16006022000DG	STAY COMP , RH PLATE		1			
090 018	14046210300	GROMMET		1			
090 019	16996010010DG	PLATE , A		1			
090 020	16996010020DG	PLATE , B		1			
090 022	14616022000DG	STAY COMP , LOW BAR		1			
090 023	16006022100	STAY COMP . UPR BAR 10		1			
090 024	36401090020	ADJUSTER		1			
090 025	V3042600100	NUT , HEX/2	M10	1			
090 026	36252120070	NUT , L	M10	1			
090 027	V2173608020	BOLT , HEX/S	M8X20	2			
090 028	16996130024	COVER , DASH		1		-2004.03.12	
090 028	16996130025	COVER , DASH		1		2004.03.13-	
090 030	V1222606020	SCREW , C/R PAN/SP	M6X20	7			
090 032	16006301043	INSULATOR		1			
090 033	15606030030	NUT , M6		4			
090 034	V2193606016	BOLT , HEX/SPL	M6X16	4			
090 036	V2183608020	BOLT , HEX/SP	M8X20	2			
090 037	16003302100	TANK ASSY , RESERVE		1			
090 038	36753302201DG	HOLDER COMP , TANK/R		1			
090 039	16003300012	HOSE , 560/7.5X13.5		1			
090 040	36423600080	CLIP , HOSE D=12.5		2			
090 041	V2183608025	BOLT , HEX/SP	M8X25	2			
090 042	16006023800DG	STAY COMP , RH		1			
090 043	16996024552	PIN		2			
090 044	16996013431	RUBBER , CUSHION		2			
090 045	16796024601DG	BRACKET COMP , FUSE		1			
090 046	V2183608020	BOLT , HEX/SP	M8X20	2			
090 047	15606040227	SPRING		2			
090 048	V4111600080	WASHER , PLAIN	M8	2			
090 049	V2013608016	BOLT , HEX	M8X16	2			
090 050	V3802600080	NUT , HEX FLANGE	M8	2			
090 051	16996015511	RUBBER , GUARD		4			
090 052	V5001925020	PIN , SPLIT	2.5X20	2			

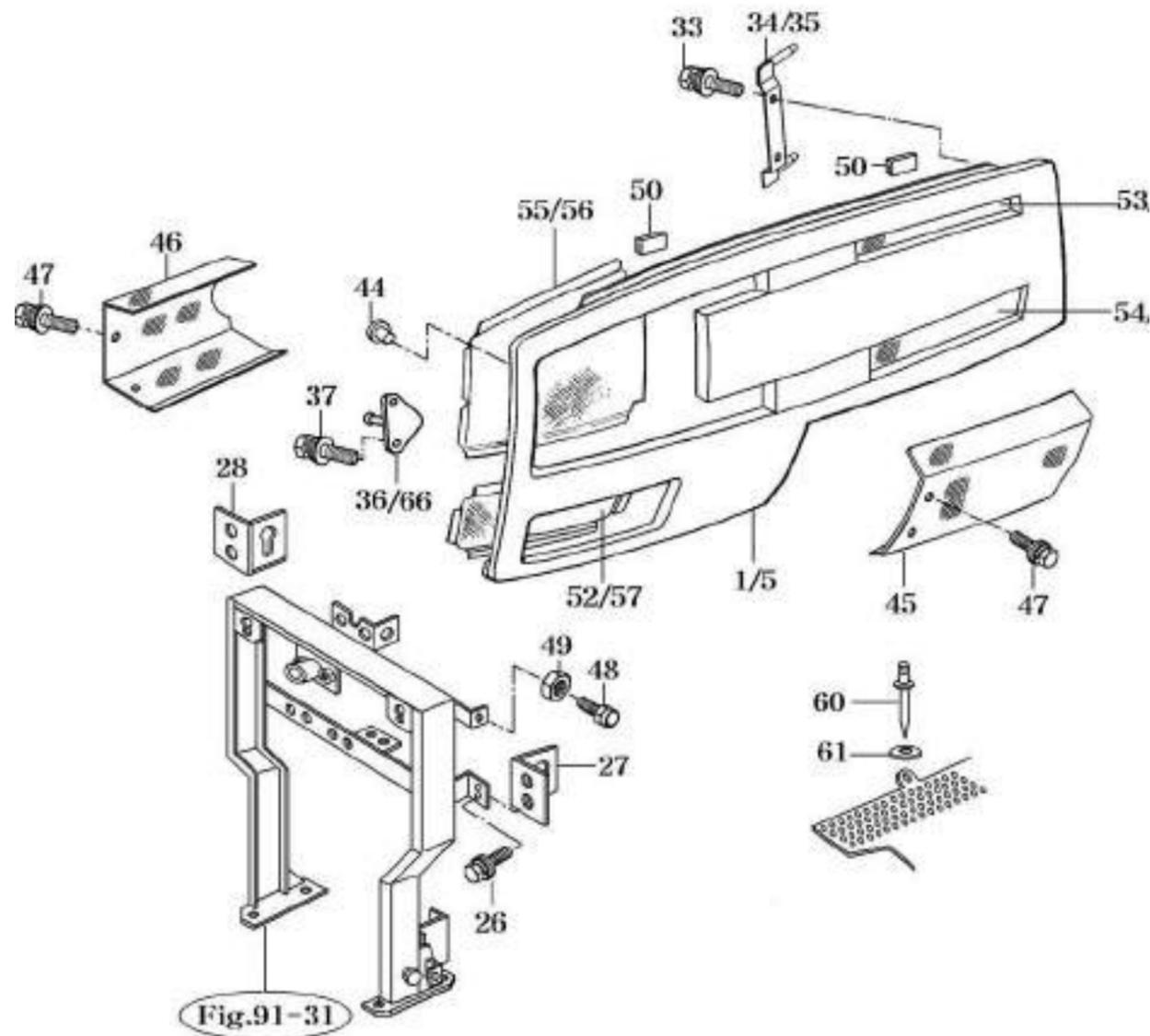
NOTE



NOTE

KEY NO.	PART NO.	DESCRIPTION	SPEC.	QTY.	REPAIR	EFFECTIVE DATE	REMARKS
090 055	16996204570	BOLT , FIXED HOOD		1			
090 056	16996015530DG	PLATE		2			
090 057	16991600080	WASHER , HOOD FRAME		2			
090 060	V4111600120	WASHER , PLAIN	M12	2			
090 061	V4011600120	WASHER , SPRING	M12	1			
090 062	V3042600120	NUT , HEX/2	M12	1			
090 065	V2193606020	BOLT , HEX/SPL	M6X20	2			
090 066	16006024710	INSULATOR , RR HOOD		1		-2005.10.14	
090 067	16996024721	INSULATOR , DASH COVER		1			
090 068	V2053606025	BOLT , HEX C/R	M6X25	1		-2005.02.15	
090 068	V2193606025	BOLT , HEX/SPL	M6X25	1		2005.02.16-	
090 072	V2013612025	BOLT , HEX	M12X25	4			
090 073	V4011600120	WASHER , SPRING	M12	4			
090 074	V2173608025	BOLT , HEX/S	M8X25	4			
090 075	16996054501DG	BRACKET COMP , HOOD		1			
090 076	V2183608020	BOLT , HEX/SP	M8X20	1			
090 077	16501020070	TUBE , CORRUGATE 210		1			
090 078	16491163701DG	BRACKET , STEERING H		1			
090 089	V1222608020	SCREW , C/R PAN/SP	M8X20	4			

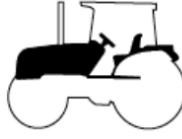
NOTE

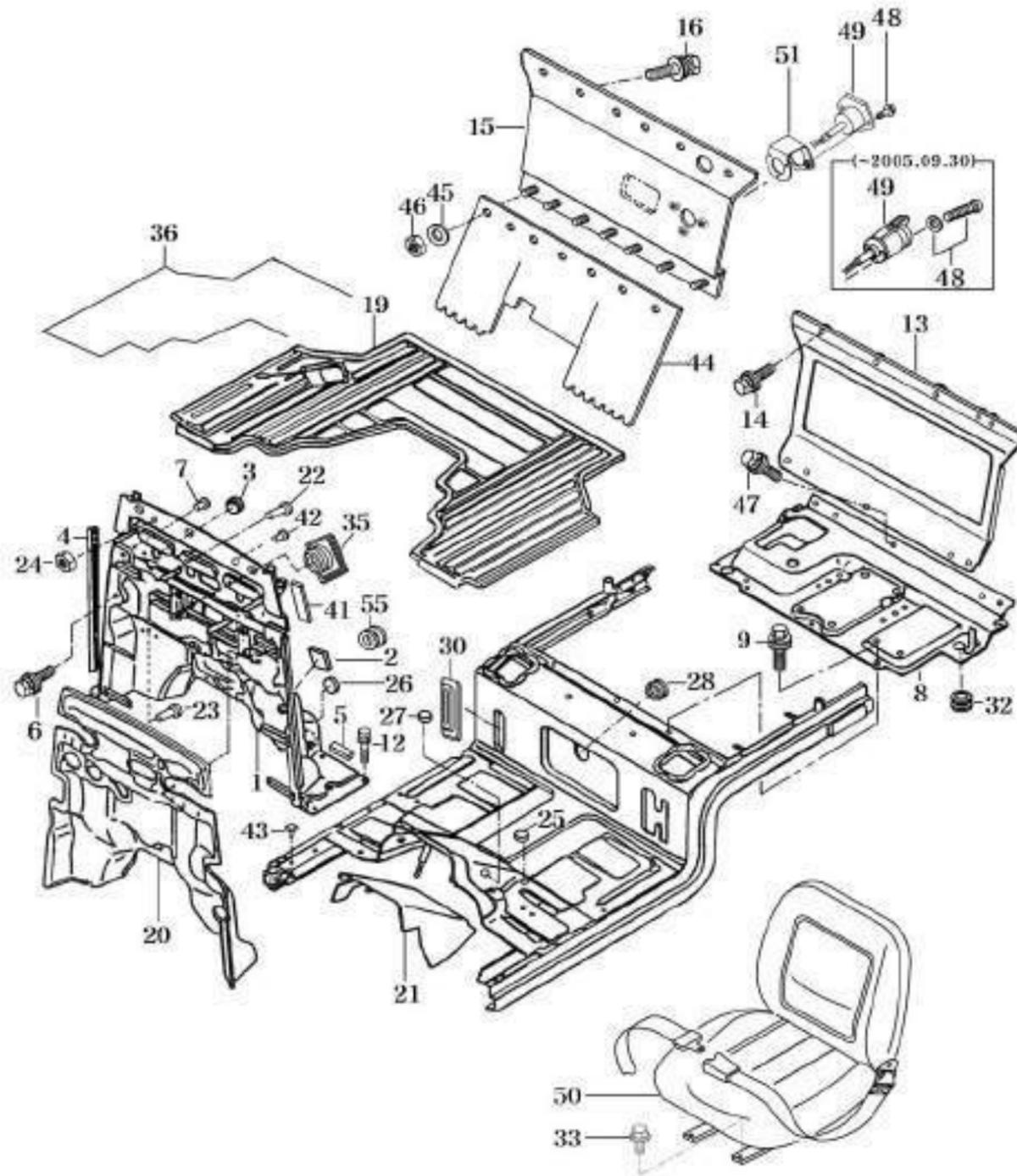


KEY NO.	PART NO.	DESCRIPTION	SPEC.	QTY.	REPAIR	EFFECTIVE DATE	REMARKS
092 001	16006202102BR	COVER COMP , LH SIDE		1			
092 005	16006203102BR	COVER COMP , RH SIDE		1			
092 026	V2193606016	BOLT , HEX/SPL	M6X16	6			
092 027	16996013501DG	PLATE COMP , LH		1			
092 028	16996013601DG	PLATE COMP , RH		1			
092 033	V2183608016	BOLT , HEX/SP	M8X16	4			
092 034	16996043600	PIN COMP , RR LH		1			
092 035	16996043700	PIN COMP , RR RH		1			
092 036	16796043800DG	PIN COMP , FR LH		1			
092 037	V2183608016	BOLT , HEX/SP	M8X16	4			
092 044	16996013431	RUBBER , CUSHION		4			
092 045	16006103300DG	COVER COMP , LH SAFE		1			
092 046	16006103410DG	COVER , RH SAFETY		1			
092 047	V2183608020	BOLT , HEX/SP	M8X20	4			
092 048	V2013608035	BOLT , HEX	M8X35	4			
092 049	V3042600080	NUT , HEX/2	M8	4			
092 050	36502010060	PROTECTOR , EDGE		4			
092 052	16006202031DG	PLATE , B LH		1			
092 053	16006202042DG	PLATE , C LH		1			
092 054	16006202051DG	PLATE , D LH		1			
092 055	16006202022DG	PLATE , A LH		1			
092 056	16006203022DG	PLATE , A RH		1			
092 057	16006203031DG	PLATE , B RH		1			
092 058	16006203042DG	PLATE , C RH		1			
092 059	16006203051DG	PLATE , D RH		1			
092 060	V5502040093	RIVET , BLIND	4X9.3	44			
092 061	V4111600040	WASHER , PLAIN	M4	44			
092 066	16796043900DG	PIN COMP , FR RH		1			

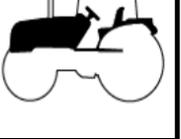
NOTE

NOTE

FIG 095 4510C	FLOOR & SEAT	P1	Month/Year	
			06 / 2005	

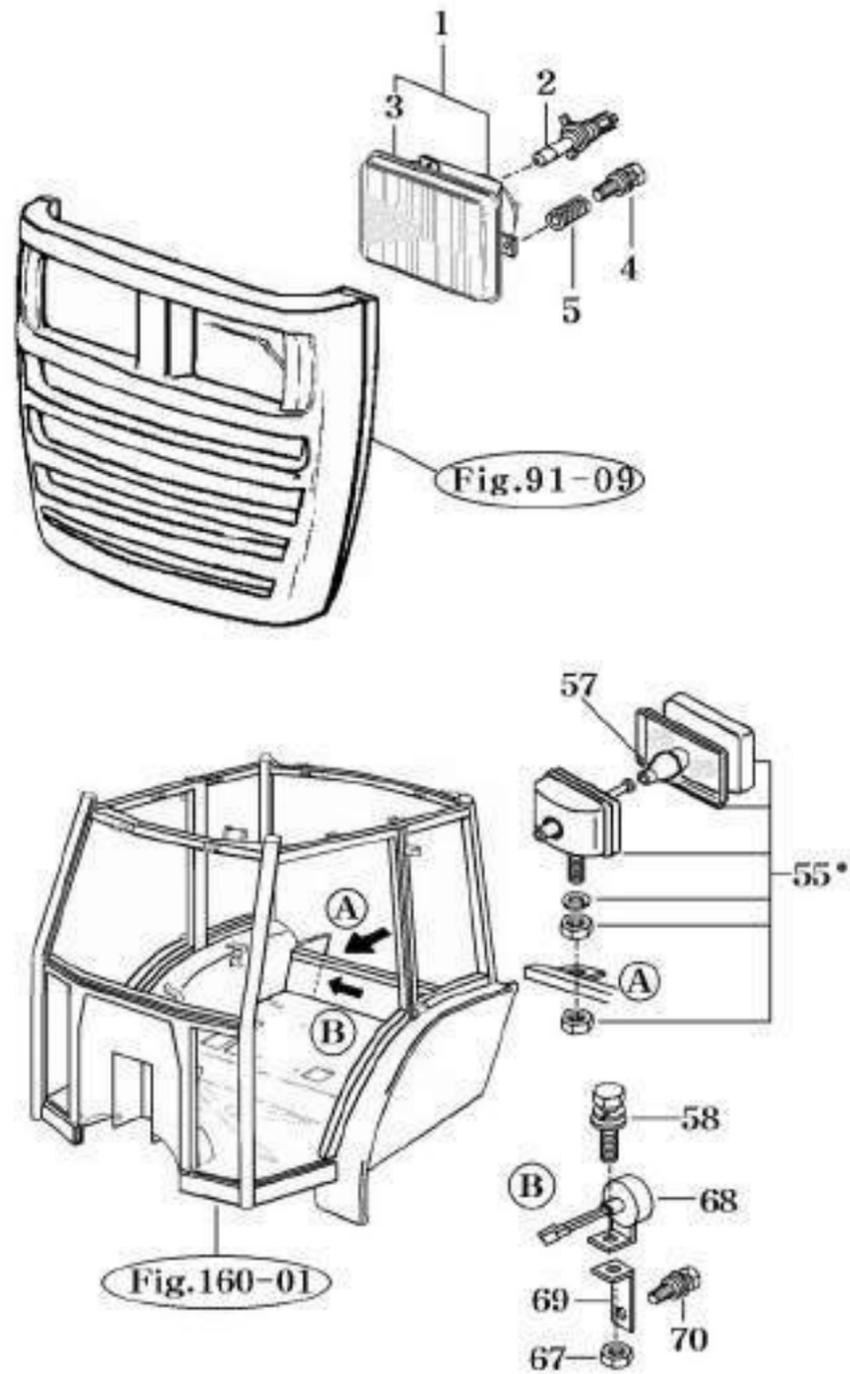


NOTE

FIG 095 4510C	FLOOR & SEAT	P1	Month / Year	
			06 / 2005	

KEY NO.	PART NO.	DESCRIPTION	SPEC.	QTY.	REPAIR	EFFECTIVE DATE	REMARKS
095 001	16006303204DG	PANEL SET , DASH		1			
095 002	16996300200	INSULATOR		1			
095 003	16996300210	INSULATOR		1			
095 004	15606300030	INSULATOR		2			
095 005	15646300120	INSULATOR		2			
095 006	V2183608020	BOLT , HEX/SP	M8X20	4			
095 007	14346110021	CAP		4			
095 008	17995303802DG	PANEL COMP , LOW SEA		1		-2004.10.25	
095 008	17995303803DG	PANEL COMP , LOW SEA		1		2004.10.26-	
095 009	V2183608020	BOLT , HEX/SP	M8X20	5			
095 012	V2183608020	BOLT , HEX/SP	M8X20	10			
095 013	16997010640	COVER , FR TANK		1			
095 014	V2123806016	BOLT , HEX /SP	M6X16	9			
095 015	17997027101DG	COVER COMP , RR TANK		1			
095 016	V2123806016	BOLT , HEX /SP	M6X16	6			
095 019	16997010654	MAT		1			
095 020	16756300072	INSULATOR , DASH PANEL		1			
095 021	15646300083	INSULATOR		1			
095 022	14216020051	RUBBER , CUSHION B		2			
095 023	14326160020	RUBBER , CUSHION		3			
095 024	V3042600080	NUT , HEX/2	M8	2			
095 025	14326510210	CAP , RUBBER 20		2			
095 026	15187221070	CAP , RUBBER 40		1			
095 027	16606510210	CAP , RUBBER 30		2			
095 028	16736300010	BOOT , SLOW RETURN		1			
095 030	16606300030	BOOT , DIFF LOCK		1			
095 032	16606300050	CAP , BREATHER 30		1			
095 033	V2183608020	BOLT , HEX/SP	M8X20	4			Option
095 035	16756300010	BOOT , STEERING HOSE		1			
095 036	16997010910	PAPER , PROTECTOR		1			
095 041	16421040010	INSULATOR		2			
095 042	14346110021	CAP		8			
095 043	15276040020	CLIP , TRIM		4			
095 044	17997021770	PLATE , MUD GUARD		1			
095 045	35605033020	WASHER , WIRE WITHDRAWAL		5			
095 046	V3042600080	NUT , HEX/2	M8	5			
095 047	V2123806016	BOLT , HEX /SP	M6X16	2			
095 048	V1112605030	SCREW , C/R PAN	M5X30	3		-2005.09.30	
095 048	V1212605016	SCREW , C/R PAN		3		2005.10.01-	
095 049	16997028201	SOCKET ASSY , TRAILER		1		-2005.09.30	
095 049	13307028200	SOCKET ASSY , TRAILER		1		2005.10.01-	
095 050	15606112600	SEAT ASSY		1			Option
095 051	14517015900DG	BRACKET COMP , TRAILER SOCK		1		2005.10.01-	
095 055	16606510210	CAP , RUBBER 30		3			

NOTE



* NOT SERVICED SEPARATELY

NOTE

KEY NO.	PART NO.	DESCRIPTION	SPEC.	QTY.	REPAIR	EFFECTIVE DATE	REMARKS
100 001	16006522001	LIGHT ASSY , HEAD		2	C		
100 002	16006522040	BULB , 12V 50/40W		2	B		
100 003	15606010154	SEAL		2			
100 004	V1112606025	SCREW , C/R PAN	M6X20	6			
100 005	16008010080	SPRING		6			
100 055	16996212200	LAMP ASSY , BACK		1	C		
100 057	16606212210	BULB		1			
100 058	V2183608020	BOLT , HEX/SP	M8X20	1			
100 067	V3052600080	NUT , HEX/3	M8	1			
100 068	34522812400	BUZZER ASSY		1	C		
100 069	17997013800	BRACKET COMP , BUZZER		1			
100 070	V2183608035	BOLT , HEX/SP	M8X35	1			

NOTE

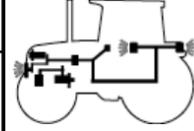
FIG 102

ELECTRIC SYSTEM

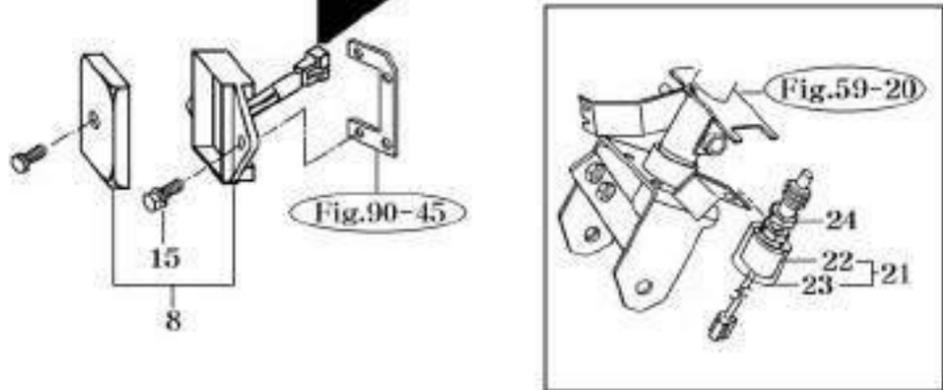
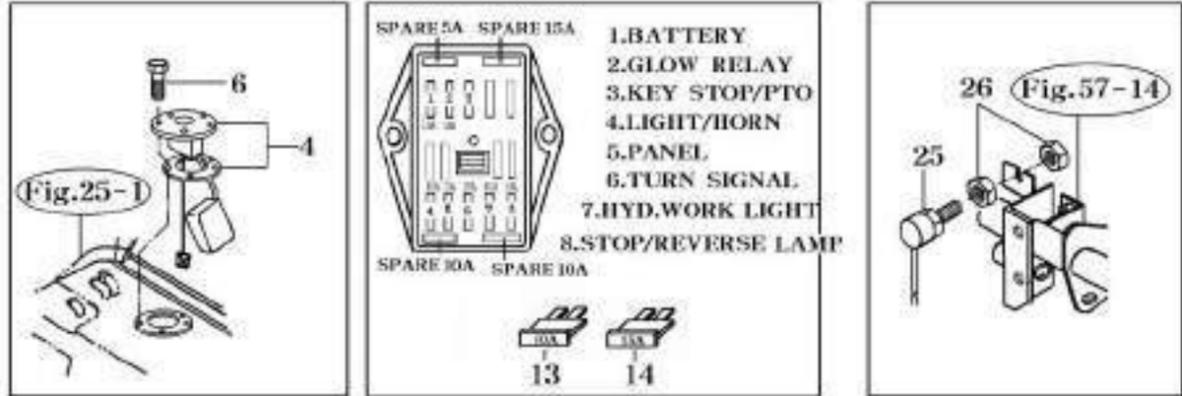
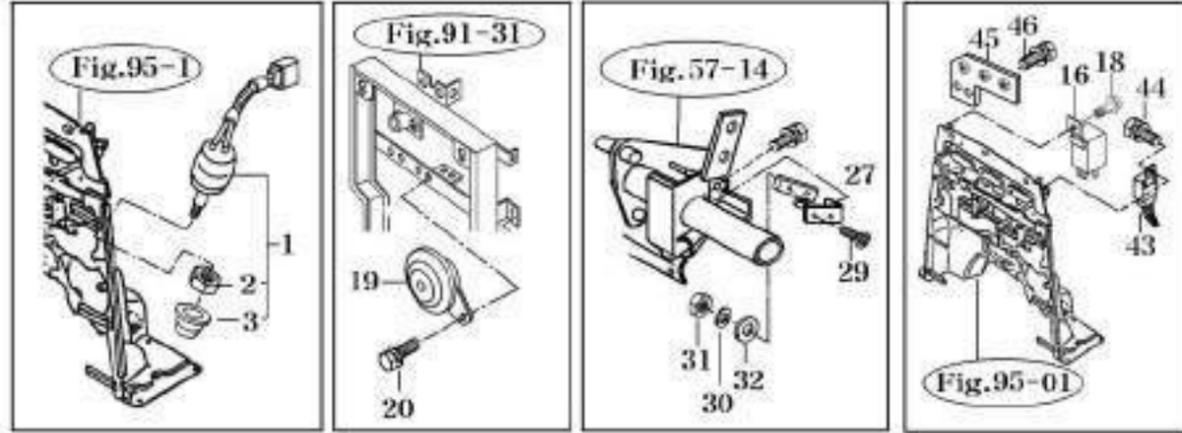
Month/Year

P1

06 / 2005



4510C



NOTE

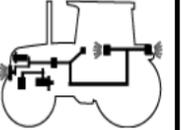
FIG 102

ELECTRIC SYSTEM

P1

Month / Year

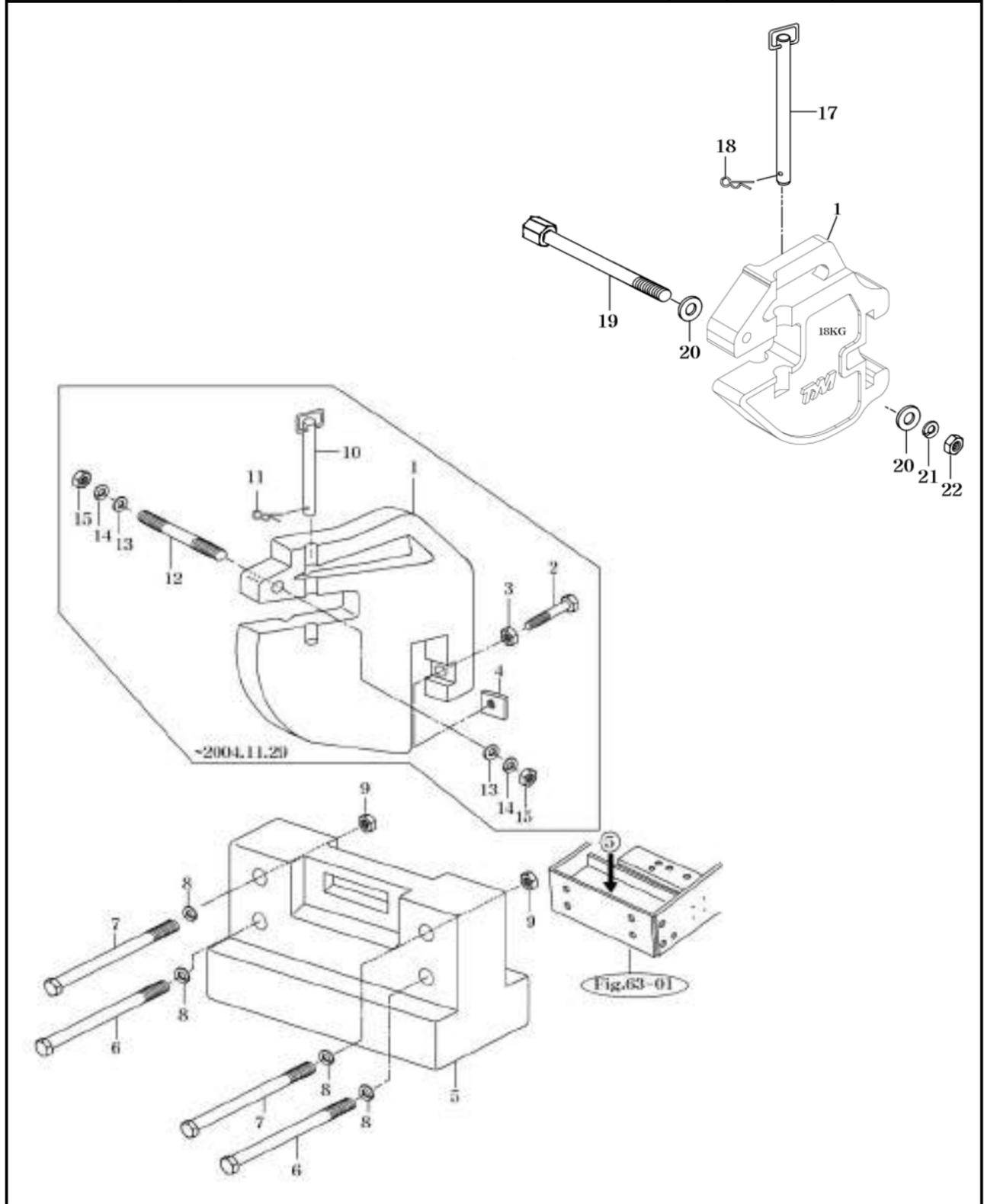
06 / 2005



4510C

KEY NO.	PART NO.	DESCRIPTION	SPEC.	QTY.	REPAIR	EFFECTIVE DATE	REMARKS
102 001	15606642500	SWITCH SET , PUSH		1	C		
102 002	15606642520	NUT		1			
102 003	15606642530	BOOT		1			
102 004	16746642300	GAUGE ASSY , MAIN FUEL		1	C		
102 006	V2313605012	BOLT , C/R HEX/S	M5X12	5			
102 008	12406642101	CASE ASSY , FUSE		1		-2005.08.29	
102 008	15646642106	CASE ASSY , FUSE		1		2005.08.30-	
102 013	15756230100	FUSE	32V10A	5	B		
102 014	15756230110	FUSE	32V15A	7	B		
102 015	V2323606016	BOLT , C/R HEX/SP	M6X16	2			
102 016	15606642400	FLASHER SET		1	C	-2005.01.30	
102 016	15606642401	FLASHER SET	label:gold	1	C	2005.01.31-	
102 018	V2113606020	BOLT , HEX /S	M6X20	1			
102 019	14166210440	BUZZER		1	C		
102 020	V2113606012	BOLT , HEX /S	M6X12	2			
102 021	15666642000	SWITCH , PUSH		1	C		
102 022	14916232220	NUT , M20		1			
102 023	14916232230	BOOT		1			
102 024	14916232220	NUT , M20		1			
102 025	15186213200	SWITCH ASSY , STOP LIGHT		1	C		
102 026	14326210061	NUT , LOCK M12		2			
102 027	16756214701	SWITCH ASSY , SAFETY		1	C		
102 029	V1112604030	SCREW , C/R PAN	M4X30	2			
102 030	V4011600040	WASHER , SPRING	M4	2			
102 031	V3002600040	NUT , HEX/1	M4	2			
102 032	V4111600040	WASHER , PLAIN	M4	2			
102 043	62819200010	RELAY , CONTROL/SOL		1			
102 044	V2193606016	BOLT , HEX/SPL	M6X16	1			
102 045	16006305100DG	BRACKET COMP , UNIT		1			
102 046	V2173608030	BOLT , HEX/S	M8X30	2			

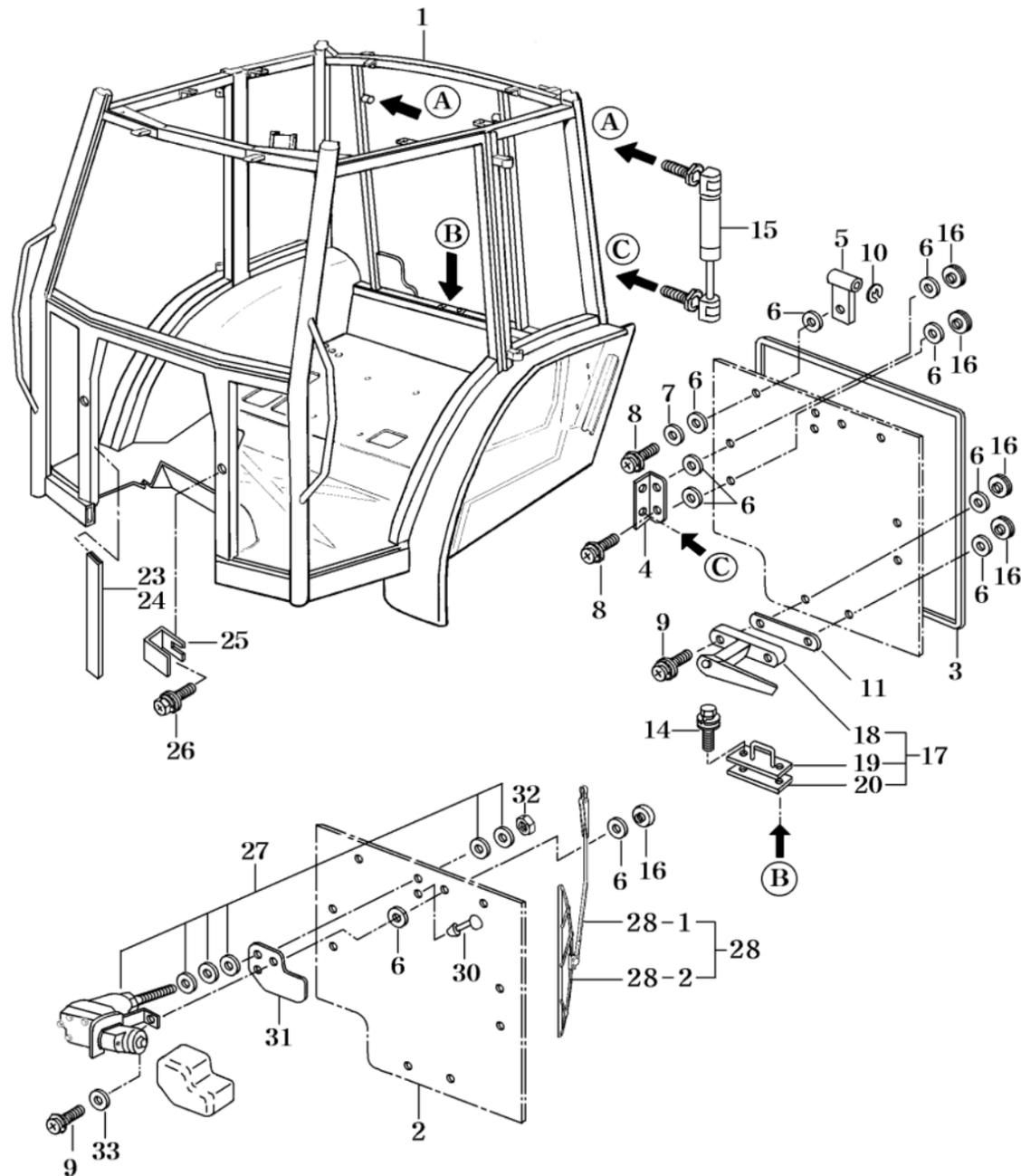
NOTE



NOTE

KEY NO.	PART NO.	DESCRIPTION	SPEC.	QTY.	REPAIR	EFFECTIVE DATE	REMARKS
157 001	16009400011DG	WEIGHT , 25KG		6		-2005.02.27	
157 001	16209400071DG	WEIGHT ,18KG		8		2005.02.28-	
157 002	W2002612080	BOLT , HEX		6		-2005.02.27	
157 003	V3022600120	NUT , HEX/3	M12	6		-2005.02.27	
157 004	16609400020DG	STOPPER , 12		6		-2005.02.27	
157 005	15609511000DG	WEIGHT , BALANCE F		1			
157 006	V2004612100	BOLT , HEX	M12X100	2			
157 007	V2013612040	BOLT , HEX	M12X40	2			
157 008	V4011600120	WASHER , SPRING	M12	4			
157 009	V3043600120	NUT , HEX/2	M12	2			
157 010	16009402300	PIN COMP , TRACTION		1		-2005.02.27	
157 010	16204100150	PIN COMP , TRACTION		1		2005.02.28-	
157 011	S2169908420	PIN , SNAP/28		1			
157 012	16009400040	BOLT , WEIGHT FIXED		1		-2005.02.27	
157 012	17979291990	BOLT , WEIGHT(M14)		1		2005.02.28-	
157 013	V4111600140	WASHER , PLAIN	M14	2			
157 014	V4011600140	WASHER , SPRING	M14	2		-2005.02.27	
157 014	V4011600140	WASHER , SPRING	M14	1		2005.02.28-	
157 015	V3043600140	NUT , HEX/2	M14	4		-2005.02.27	
157 015	V3043600140	NUT , HEX/2	M14	1		2005.02.28-	

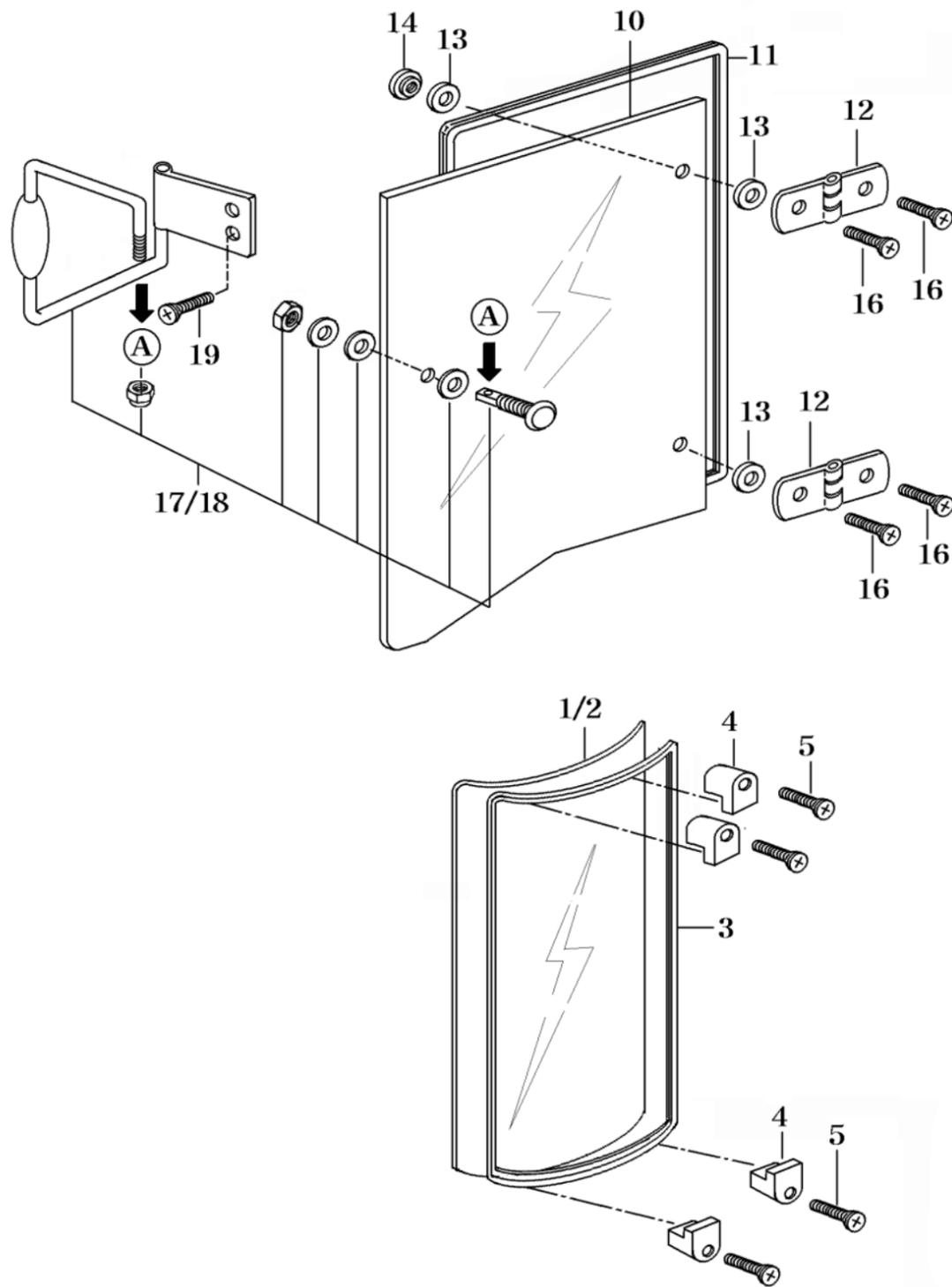
NOTE Option



NOTE

KEY NO.	PART NO.	DESCRIPTION	SPEC.	QTY.	REPAIR	EFFECTIVE DATE	REMARKS
160 001	16747012101DG	FRAME COMP, CAB T431		1			
160 002	16997010012	GLASS, RR		1	C		
160 003	16997010021	INSULATOR, RR GLASS		1	B		
160 004	16997023900DG	BRACKET COMP, RR AB		2			
160 005	15817401120DG	HINGE		2			
160 006	15817401130	GROMMET, 13X17X02		16			
160 007	15817401140DG	WASHER, 7X36X3		2			
160 008	V1212606016	SCREW, C/R PAN/S	M6X16	7			
160 009	V1212606020	SCREW, C/R PAN/S	M6X20	2			
160 010	V7081400070	E-RING	7	2			
160 011	16607425821	INSULATOR		1			
160 014	V2123606020	BOLT, HEX /SP	M6X20	2			
160 015	16997022200	DAMPER ASSY, RR DOOR		2			
160 016	15817421020	NUT, GLASS		7			
160 017	16607202100	HANDLE SET, WINDOW LOCK		1			
160 018	16607202200	HANDLE ASSY, WINDOW LOCK		1			
160 019	16607202300	PLATE COMP, LOCK		1			
160 020	15187455520	PLATE, ARM A		1			
160 023	16997017600	INSULATOR, LH FRAME		1			
160 024	16997017610	INSULATOR, RH FRAME		1			
160 025	16997018011	PLATE		2			
160 026	V1122606016	SCREW, C/R FLAT	M6X16	2			
160 027	16997032000	MOTOR ASSY, WIPER		1			
160 028	16997033400	WIPER & BLADE ASSY, RR		1			
160 02801	16997034100	ARM, 258		1			
160 02802	16997035100	BLADE, 300		1			
160 030	16997027700	NOZZLE SET		1			
160 031	14517030030	LABEL, COVER		1		-2005.10.29	
160 031	17677030030	LABEL, COVER		1		2005.10.30-	
160 032	V3802600080	NUT, HEX FLANGE		1			
160 033	35605033020	WASHER, WIRE WITHDRAWAL		1			

NOTE

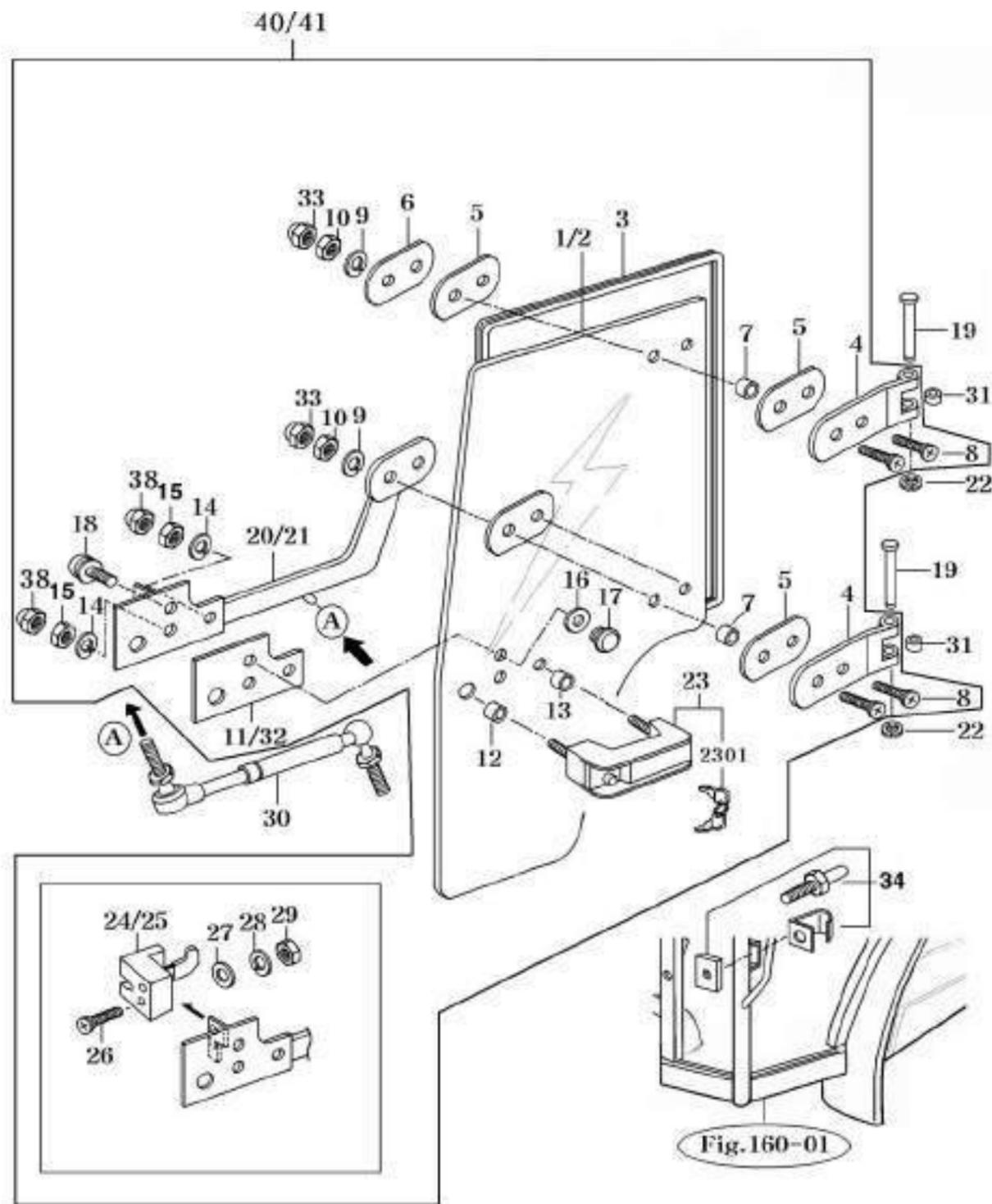


NOTE

KEY NO.	PART NO.	DESCRIPTION	SPEC.	QTY.	REPAIR	EFFECTIVE DATE	REMARKS
161 001	16997020031	GLASS , LH C		1	C		
161 002	16997020041	GLASS , LH C		1	C		
161 003	16997020051	INSULATOR		2	C		
161 004	16997010061	BRACKET , FIXED GLASS		8			
161 005	V1122605035	SCREW , C/R FLAT	M5X35	8			
161 010	16997020071	GLASS , B		2	C		
161 011	16997010081	INSULATOR		2	B		
161 012	16997010091	HINGE , GLASS B		4			
161 013	15817401130	GROMMET , 13X17X02		8			
161 014	15817421020	NUT , GLASS		4			
161 016	V1122606020	SCREW , C/R FLAT	M6X20	8			
161 017	16997012300	LOCK SET , DOOR		1			
161 018	16997012400	LOCK SET , DOOR		1			
161 019	V1122606016	SCREW , C/R FLAT	M6X16	4			

NOTE

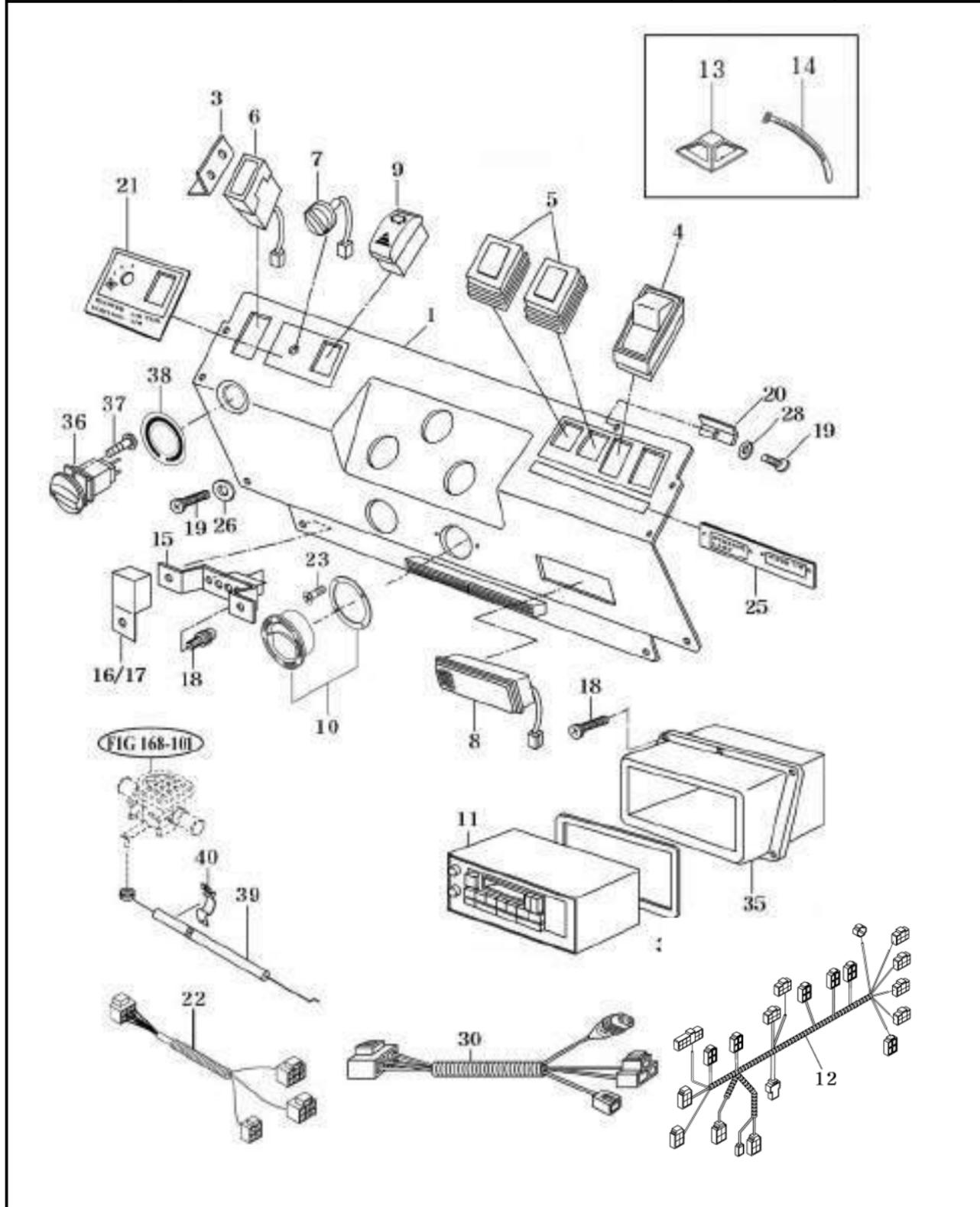




NOTE

KEY NO.	PART NO.	DESCRIPTION	SPEC.	QTY.	REPAIR	EFFECTIVE DATE	REMARKS
162 001	16997010151	GLASS , LH DOOR		1	C		
162 002	16997010161	GLASS , RH DOOR		1	C		
162 003	16997010172	INSULATOR , DOOR		2	B		
162 004	16997022501DG	HINGE COMP , DOOR		4			
162 005	16997010180	GROMMET , DOOR		8			
162 006	16997010190DG	PLATE , DOOR GLASS		2			
162 007	16997010210	COLLAR , 8.5X13X10.5		8			
162 008	V1122608030	SCREW , C/R FLAT	M8X30	8			
162 009	V4011600080	WASHER , SPRING	M8	8			
162 010	V3043600080	NUT , HEX/2	M8	8			
162 011	16997010220	GROMMET , DOOR		1			
162 012	16997010230	COLLAR , 6.5X9X10.5		2			
162 013	16997010240	COLLAR , 6.5X9X9.5		2			
162 014	V4011600060	WASHER , SPRING	M6	4			
162 015	V3002600060	NUT , HEX/1	M6	4			
162 016	15817401130	GROMMET , 13X17X02		2			
162 017	15817421020DG	NUT , GLASS		2			
162 018	V1212606016	SCREW , C/R PAN/S	M6X16	2			
162 019	16997010251	PIN , DOOR HINGE		4			
162 020	16997022601DG	GUIDE COMP , LH DOOR		1		-2005.03.14	
162 020	17687022601DG	GUIDE COMP , LH DOOR		1		-2006.04.30	
162 020	16997022602DG	GUIDE COMP , LH DOOR		1		2006.05.01-	
162 021	16997022701DG	GUIDE COMP , RH DOOR		1		-2005.03.14	
162 021	17687022701DG	GUIDE COMP , RH DOOR		1		-2006.04.30	
162 021	16997022702DG	GUIDE COMP , RH DOOR		1		2006.05.01-	
162 022	V7081400080	E-RING	8	4			
162 023	16997028900	GRIP ASSY , LOCK		2			
162 02301	16997028990	KEY		2			
162 024	16997022800	LOCK SET , LH		1		-2004.07.04	
162 024	16997022810	LOCK SET , LH		1		2004.07.05-	
162 025	16997022900	LOCK SET , RH		1		-2004.07.04	
162 025	16997022910	LOCK SET , RH		1		2004.07.05-	
162 026	V1122608040	SCREW , C/R FLAT	M8X40	4			
162 027	V4111600080	WASHER , PLAIN	M8	4			
162 028	V4011600080	WASHER , SPRING	M8	4			
162 029	V3043600080	NUT , HEX/2	M8	4			
162 030	16997301081	DAMPER ASSY , DOOR		2			
162 031	15645120010	BUSH , 10X18X10		8			
162 032	16997010290	GROMMET , DOOR		1			
162 033	V3402700080	NUT , HEX CAP	M8	8			
162 034	16997011110	NUT , LOCK DOOR	M10	2		-2004.07.04	
162 034	16997022820	PIN ASSY , ROD DOOR		2		2004.07.05-	
162 038	V3402700060	NUT , HEX CAP	M6	4			
162 040	16997020000	GLASS SUB , LH DOOR		1			
162 041	16997021000	GLASS SUB , RH DOOR		1			

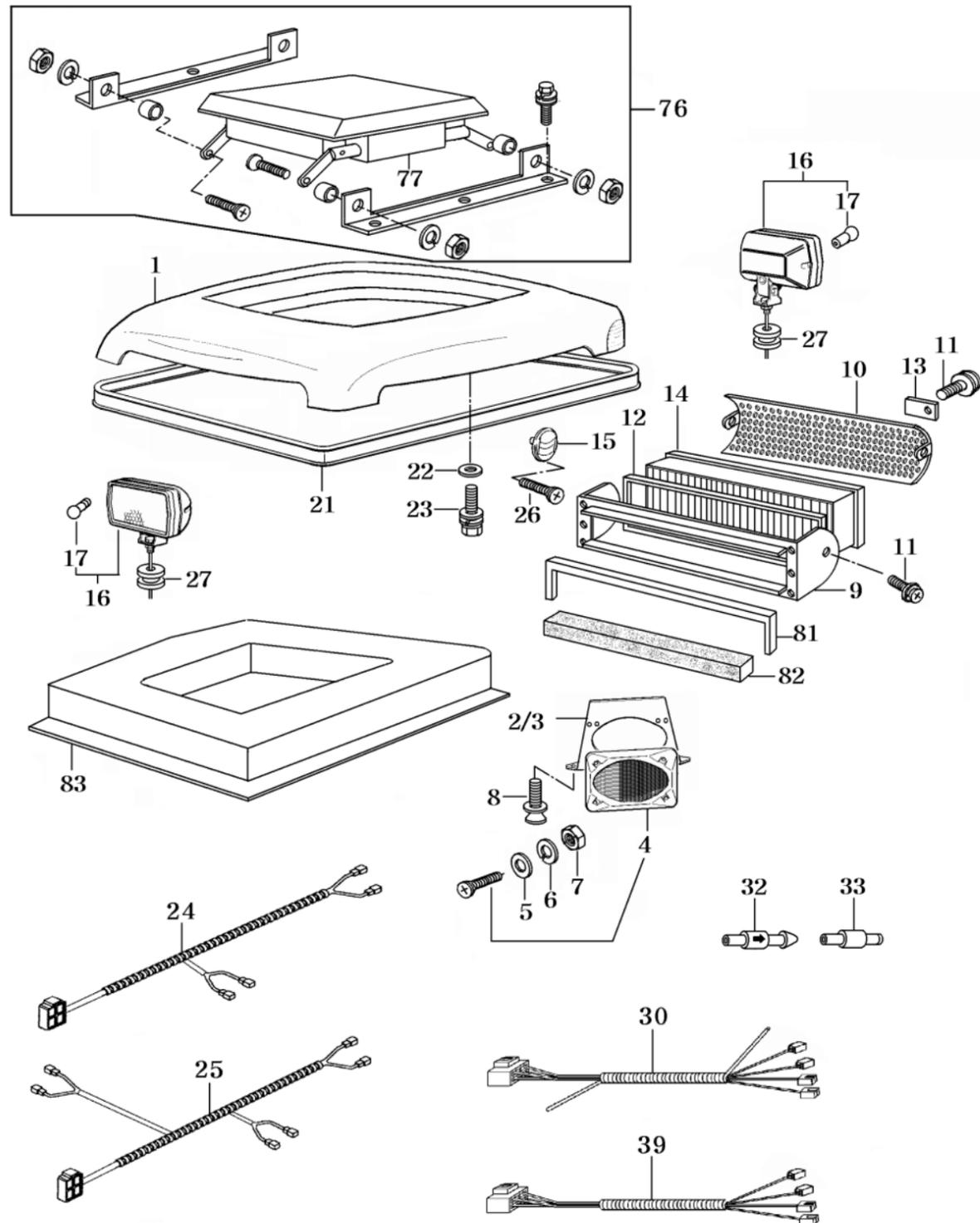
NOTE



NOTE

KEY NO.	PART NO.	DESCRIPTION	SPEC.	QTY.	REPAIR	EFFECTIVE DATE	REMARKS
165 001	16997010515	COVER , E/V		1		-2005.03.04	
165 001	16997010516	COVER , E/V		1		2005.03.05-	
165 003	16997024200DG	BRACKET COMP , FUSE		1			
165 004	16608103100	SWITCH ASSY , WIPER		2	C		
165 005	36522732400	SWITCH ASSY , ALTERNATOR		2	C		
165 006	16997024300	CASE ASSY , FUSE		1			
165 007	16997024401	SWITCH		1	C		
165 008	16997024500	LAMP ASSY , ROOM		1	C		
165 009	16997024601	SWITCH ASSY , AIRCONDITIONER		1	C		
165 010	16997024700	COVER ASSY , GRILLE		5			
165 011	16997024801	CASSETTE ASSY		1	C	-2004.08.14	
165 011	16997024802	CASSETTE ASSY		1	C	2004.08.15-	
165 012	17407024900	HARNESS ASSY , CAB MAIN		1			
165 013	16606691000	BRACKET , HARNESS		5			
165 014	16606691080	BAND , HARNESS		5			
165 015	16997025100DG	BRACKET COMP , RELAY		1			
165 016	15606642103	RELAY ASSY		2	C		
165 017	15816212900	RELAY ASSY , 4P		5	C		
165 018	V1222806016	SCREW , C/R PAN/SP	M6X16	11			
165 019	16997021950	SCREW , M5X16		13			
165 020	16997025200DG	BRACKET COMP , COVER		3			
165 021	16997021990	LABEL , AIR CONDITIONER CONTROL		1		-2005.03.04	
165 021	16997021991	LABEL , AIR CONDITIONER CONTROL		1		2005.03.05-	
165 022	16997021980	DRAWING , AIR CONDITIONER WIRING		1			
165 023	16992604120	SCREW		10			
165 025	17407021910	LABEL , WORKING LAMP		1			
165 026	16997013020	WASHER , EVAPORATOR COVER		8			
165 028	16007013030	WASHER , EVAPORATOR COVER		3			
165 030	17407019990	HARNESS , CASSETTE		1			
165 031	S7557010550	INSULATOR . RADIO		1			
165 035	17407021660	COVER , CASSETTE		1		-2004.08.14	
165 035	17407021661	COVER , CASSETTE		1		2004.08.15-	
165 036	17687025000	SWITCH ASSY , HEATER		1		2005.03.05-	
165 037	V1902604008	SCREW , TAPPING C/R PAN		2		2005.03.05-	
165 038	16997021930	LABEL , WATER VALVE		1		2005.03.05-	
165 039	16997026800	CABLE , WATER VALVE		1		2005.03.05-	
165 040	17687025300	CLIP , CABLE		1		2005.03.05-	

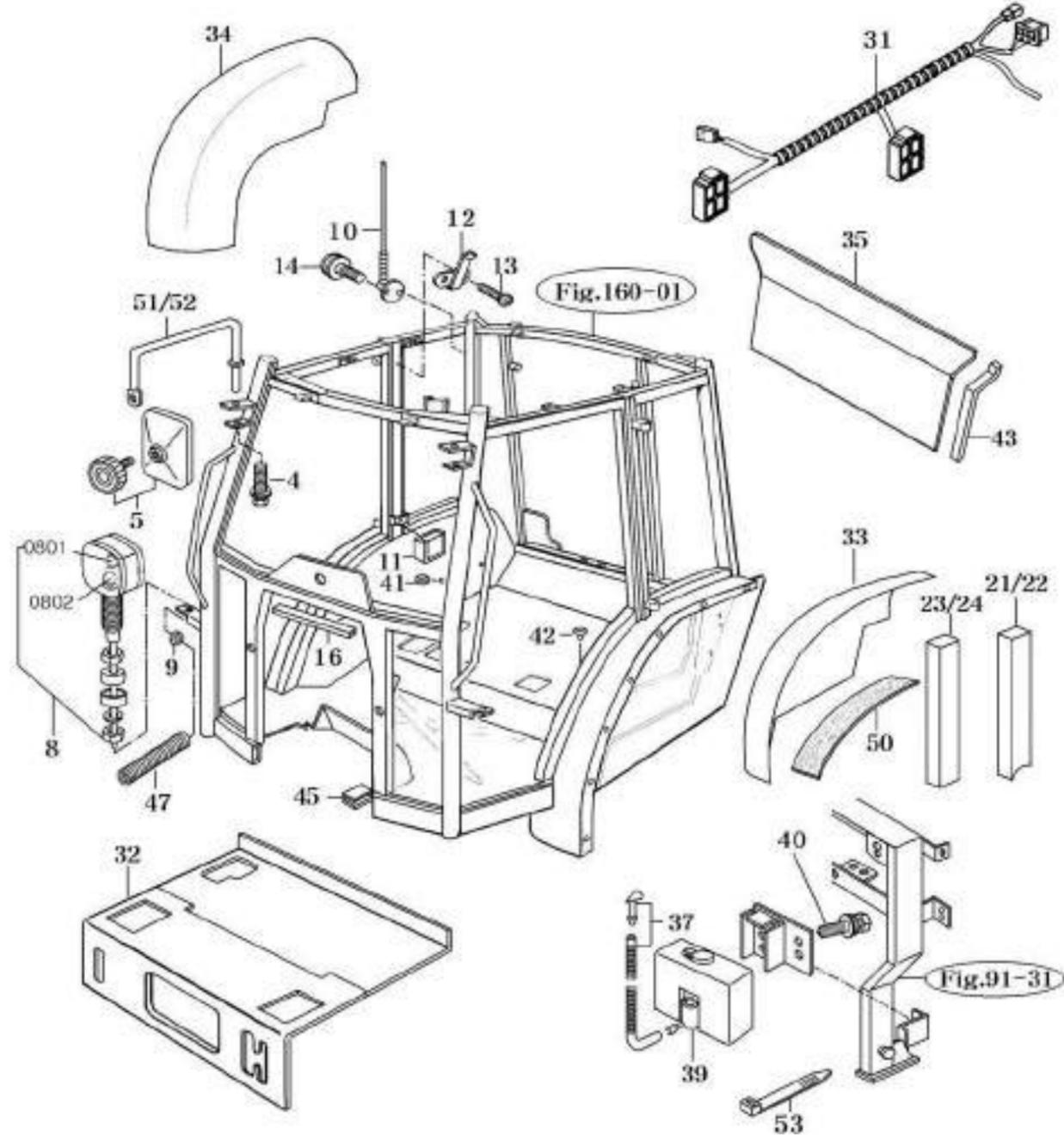
NOTE



NOTE

KEY NO.	PART NO.	DESCRIPTION	SPEC.	QTY.	REPAIR	EFFECTIVE DATE	REMARKS
166 001	16007010522	ROOF		1			
166 002	16997010531	COVER , LH SPEAKER		1			
166 003	16997010541	COVER , RH SPEAKER		1			
166 004	16997025501	GRILLE ASSY , SPEAKER		2			
166 005	V4111600040	WASHER , PLAIN	M4	8			
166 006	V4011600040	WASHER , SPRING	M4	8			
166 007	V3012600040	NUT , HEX/2	M4	8			
166 008	V1222806016	SCREW , C/R PAN/SP	M6X16	10			
166 009	16997025600DG	GUIDE COMP , AIR FIL		1			
166 010	16997025701DG	COVER , AIR FILTER		1			
166 011	V1222806016	SCREW , C/R PAN/SP	M6X16	14			
166 012	16997010550	INSULATOR , AIR FILTER		1			
166 013	16997010560DG	BRACKET , AIR FILTER		2			
166 014	16997025800	ELEMENT , AIR		1			
166 015	16997024700	COVER ASSY , GRILLE		4			
166 016	16997025900	LAMP ASSY , WORKING		4	C		
166 017	16996549160	BULB , 12V 35W		4	B		
166 021	16997010582	INSULATOR , FRAME		1			
166 022	35602010150	WASHER , BIND SHAFT		12			
166 023	V2183608030	BOLT , HEX/SP	M8X30	8			
166 024	17407017400	HARNESS , SPEAKER		1			
166 025	16997017500	HARNESS , WORKING LAMP		1			
166 026	16992604120	SCREW		8			
166 027	14326510210	CAP , RUBBER 20		4			
166 030	16997028500	HARNESS ASSY , RR WIPER		1			
166 032	16997030010	VALVE , WASHER CHECK		1			
166 033	16997030020	NIPPLE , WASHER HOSE		1			
166 039	16997030040	HARNESS ASSY , CONNECTOR WIPER		1			
166 076	16007020500	ROOF , ASSISTANCE		1			
166 077	16007020600	SEAT , ASSISTANCE ROOF		1			
166 081	16997010720	INSULATOR , MID FILTER GUIDE		1			
166 082	16997010730	INSULATOR , UNDER FILTER GUIDE		1			
166 083	16007026100	SEAT , ROOF		1			

NOTE



NOTE

KEY NO.	PART NO.	DESCRIPTION	SPEC.	QTY.	REPAIR	EFFECTIVE DATE	REMARKS
167 004	V2173612030	BOLT , HEX/S	M12X30	2			
167 005	16997028600	MIRROR ASSY		2	C	-2005.06.09	
167 005	17667028600	MIRROR ASSY		2	C	2005.06.10-	
167 008	15666562003	LAMP ASSY , COMBINATION		2	C		
167 00801	15646542130	BULB , 12V 21W		1	B		
167 00802	15666562040	BULB , 12V 5W		1	B		
167 009	14046210300	GROMMET		4			
167 010	17977026700	ANTENNA ASSY		1			
167 011	14517026800	ASHTRAY ASSY		1			
167 012	16997020630	HANGER		2			
167 013	V1122604012	SCREW , C/R FLAT	M4X12	4			
167 014	V1122605016	SCREW , C/R FLAT	M5X16	3			
167 016	16421040010	INSULATOR		3			
167 021	16997028102	WALL BOARD , LH SIDE FRAME		1			
167 022	16997027202	WALL BOARD , RH RR FRAME		1			
167 023	16997027302	WALL BOARD , LH SIDE FRAME		1			
167 024	16997027402	WALL BOARD , RH SIDE FRAME		1			
167 031	16997027602	HARNESS ASSY , CAB FRAME		1			
167 032	16747010661	SEAT FLOOR PANEL		1			
167 033	16997010672	SEAT , LH FENDER		1			
167 034	16997010682	SEAT , RH FENDER		1			
167 035	16997010693	SEAT , RR COVER		1			
167 037	16997027700	NOZZLE SET		1			
167 039	12937033100	TANK ASSY , WASHER		1			
167 040	V2173608020	BOLT , HEX/S	M6X20	2			
167 041	16606070031	CAP , 9		8			
167 042	16606510210	CAP , RUBBER 30		2			
167 043	16607441030	INSULATOR , CAB FENDER		2			
167 045	16997021960	INSULATOR , 32		2			
167 047	16997021881	TUBE , CORRUGATE 110		2			
167 050	16997011770	TAPE		13			
167 051	16997027801DG	STAY COMP , LH MIRRO		1			
167 052	16997027901DG	STAY COMP , RH MIRRO		1			
167 053	16998201780	STRIP , CABLE		4		-2005.02.15	
167 053	14216210380	BAND , WIRE		4		2005.02.16-	

NOTE

FIG 168

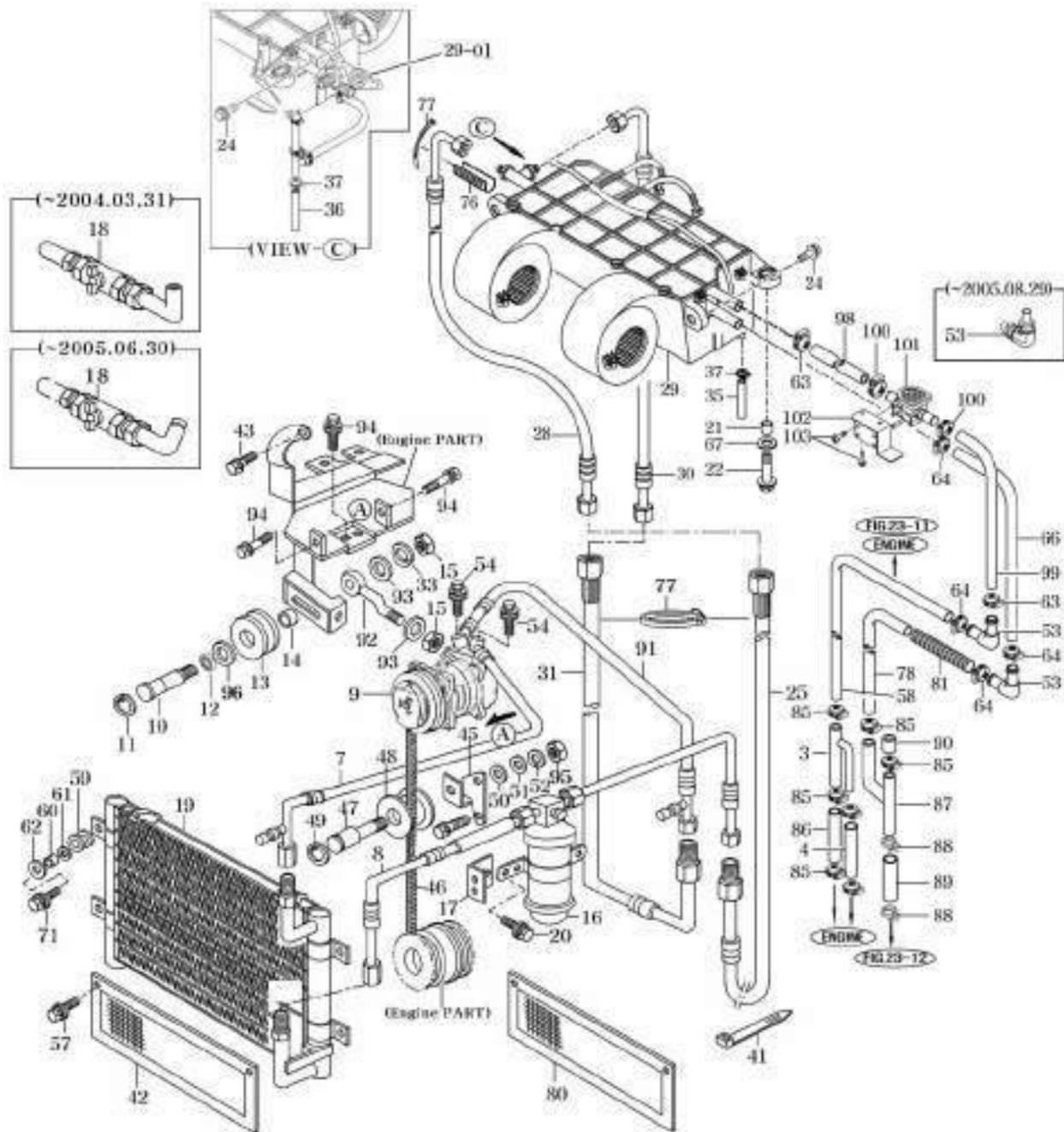
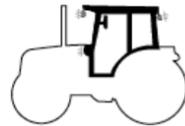
HEATER & AIR-CON

4510C

P1

Month/Year

06 / 2005



NOTE

FIG 168

4510C

P1

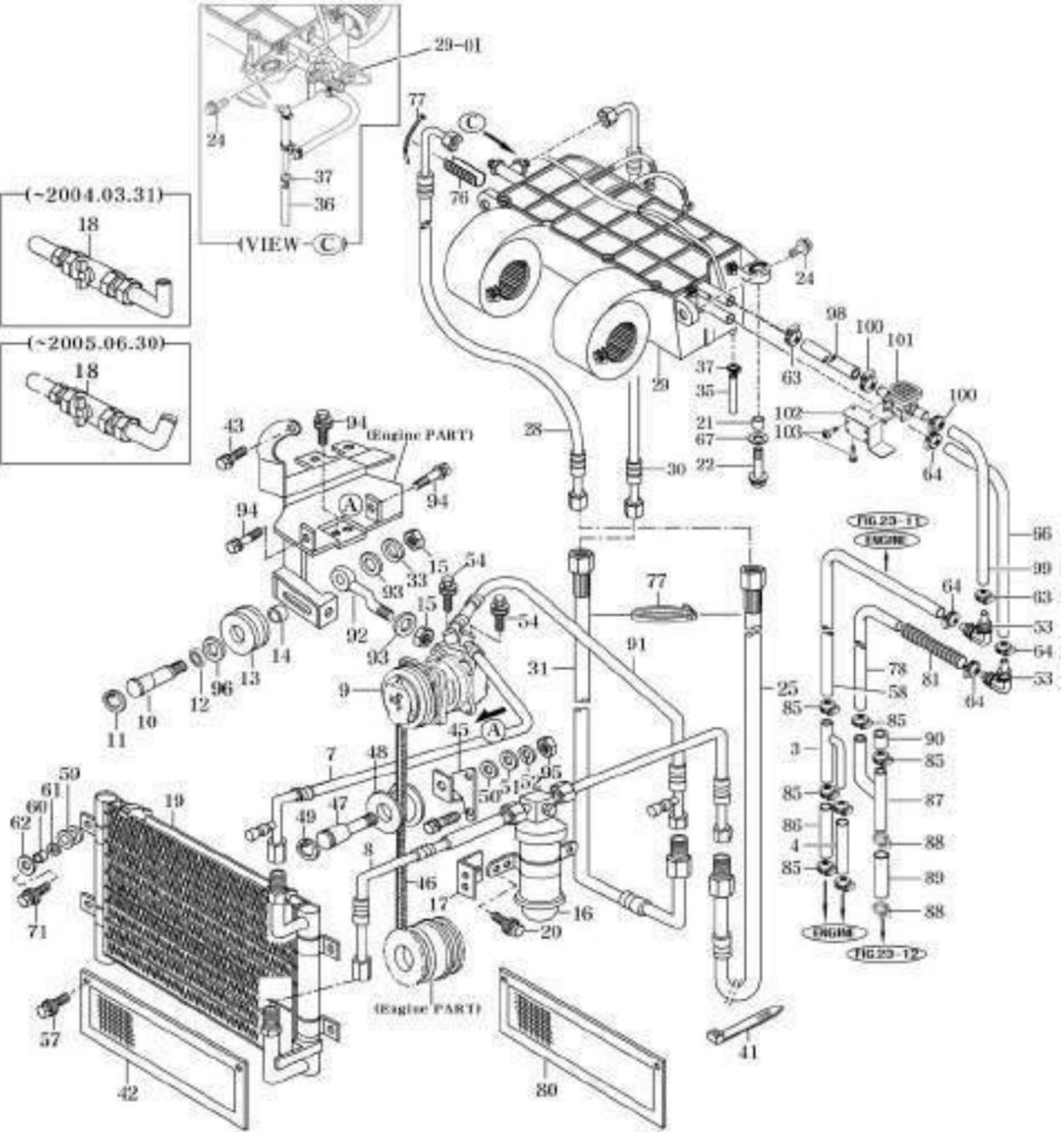
Month / Year

06 / 2005



KEY NO.	PART NO.	DESCRIPTION	SPEC.	QTY.	REPAIR	EFFECTIVE DATE	REMARKS
168 003	14628200120	PIPE COMP, IN		1			
168 004	14628200140	HOSE , HEATER		1	C		
168 007	16008302900	HOSE ASSY , DISCHARGE		1	C		
168 008	16998303700	PIPE ASSY		1	C		
168 009	14628303200	COMPRESSOR ASSY		1	B		
168 010	14627300530	SHAFT , MID PULLEY		1			
168 011	V7051400350	C-RING , HOLE	35	1			
168 012	V6001506202	BEARING , BALL	6202DD	1			
168 013	14622100530DG	PULLEY , MID		1			
168 014	14622100540	COLLAR , SPACER		1			
168 015	V3343600100	NUT , HEX FINE/2	M10	3			
168 016	16608303501	DRYER ASSY		1	B		
168 017	16998303600	BRACKET ASSY		1			
168 018	16998202101	VALVE ASSY , HEATER		1		-2004.03.31	
168 018	16998202102	VALVE ASSY , HEATER		1		-2005.06.30	
168 019	16798303700	CONDENSER ASSY		1			
168 020	V2183608020	BOLT , HEX/SP	M8X20	2			
168 021	16998201110	COLLAR , 8.5X16X25		2			
168 022	V2173608060	BOLT , HEX/S	M8X60	2			
168 024	V2183608040	BOLT , HEX/SP	M8X40	2			
168 025	16008302701	HOSE ASSY		1	C		
168 028	16998302701	HOSE ASSY		1	C	-2004.06.29	
168 028	16998302702	HOSE ASSY		1	C	2004.06.30-	
168 029	16998302805	EVAPORATOR ASSY		1			
168 02901	16998303000	EXPANSION VALVE ASSY		1		2004.02.27-	
168 030	16998302901	HOSE , SUCTION		1	C		
168 031	16008303101	HOSE . SUCTION		1	C		
168 033	V4011600100	WASHER , SPRING	M10	1			
168 035	16998300090	HOSE , RH DRAIN		1			
168 036	16998300060	HOSE , DRAIN		1			
168 037	37481850030	BAND , HOSE 18.5		2			
168 041	16998201780	STRIP , CABLE		4		-2005.02.15	
168 041	14216210380	BAND , WIRE		4		2005.02.16-	
168 042	14216210380	NET COMP , CONDENSER		1			
168 043	14627300140DG	BOLT , HEX/S	M8X20	1			
168 045	14627300140DG	BRACKET , TENSION		1			
168 046	14625807930	V BELT , CONDITIONER REC A55 AIR		1	A		
168 047	14625807230	SHAFT , TENSION PULLEY		1			
168 048	14621201310	PULLEY , HIGH SPEED TENSION		1			
168 049	V7041400150	C-RING , SHAFT	15	1			
168 050	V4111600140	WASHER , PLAIN	M14	1			
168 051	V4111600100	WASHER , PLAIN	M10	1			
168 052	V4011600100	WASHER , SPRING	M10	1			
168 053	16998200030	ELBOW , 90		1		-2005.03.04	
168 053	16998200030	ELBOW , 90		2		-2005.08.29	
168 053	17688200050	ELBOW , 90		2		2005.08..30-	
168 054	V2183608055	BOLT , HEX/SP	M8X55	2			
168 057	V2123606012	BOLT , HEX /SP	M6X12	4			

NOTE



NOTE

KEY NO.	PART NO.	DESCRIPTION	SPEC.	QTY.	REPAIR	EFFECTIVE DATE	REMARKS
168 058	16008200041	HOSE . HEATER		1	C	-2005.03.04	
168 058	16008200042	HOSE . HEATER		1	C	2005.03.05-	
168 059	14046210300	GROMMET		4			
168 060	15991040050	COLLAR , 08X12X08		4			
168 061	35652030040	COLLAR , PACKER SHAFT		4			
168 062	35602010150	WASHER , BIND SHAFT		4			
168 063	16601850160	BAND , 20		2			
168 064	16601850160	BAND , 20		6			
168 066	16998200021	HOSE , HEATER		2	C		
168 067	35602010150	WASHER , BIND SHAFT		8			
168 071	V2183608025	BOLT , HEX/SP	M8X25	4			
168 076	16998201771	INSULATOR , SUCTION		1			
168 077	13424020060	BAND , 250		2		-2005.03.04	
168 077	13424020060	BAND , 250		3		2005.03.05-	
168 078	16998201880	TUBE , STRAIGHT 250		1			
168 080	16608306101DG	NET COMP		1			
168 081	16008200071	HOSE . HEATER		1	C		
168 085	37681850160	BAND , CLAMP(22)		6			
168 086	14628200150	HOSE , HEATER		1			
168 087	14628202600	PIPE COMP		1			
168 088	14241010050	CLIP , 42		2			
168 089	16001040110	HOSE , RADIATOR		1	C		
168 090	14621040120	HOSE , RADIATOR		1	C		
168 091	14628302800	PIPE , SUCTION NO 1		1			
168 092	14627300120	BOLT , TENSION		1			
168 093	V4111600100	WASHER , PLAIN	M10	1			
168 094	V2173608025	BOLT , HEX/S	M8X25	6			
168 095	V3343600100	NUT , HEX FINE/2	M10	1			
168 096	V4111600140	WASHER , PLAIN	M14	1			
168 098	16998200110	HOSE , HEATER OUT		1		2005.03.05-	
168 099	16998200120	HOSE , HEATER IN		1		2005.03.05-	
168 100	37681850160	BAND , 22		2		2005.03.05-	
168 101	17688202100	VALVE ASSY , WATER		1		2005.03.05-	
168 102	17688202200	PLATE COMP		1		2005.03.05-	
168 103	V1902604008	SCREW , TAPPING C/R PAN		4		2005.03.05-	

NOTE

ENGINE

4A220-DY(Tier 2)

KEY NO.	PART NO.
180 010	01023-50618
040 030	01023-50620
150 014	01023-50620
160 015	01023-50620
170 015	01023-50628
010 020	01023-50650
140 016	01123-50814
030 016	01123-50816
100 009	01123-50818
140 037	01123-50818
220 012	01123-50820
140 025	01123-50822
190 003	01123-50822
220 004	01123-50822
040 011	01123-50825
180 009	01123-50828
170 014	01123-50832
200 010	01123-50832
190 014	01123-50835
040 017	01123-50860
040 018	01123-50870
190 005	01123-50870
040 019	01123-50875
040 020	01123-50880
040 021	01123-50885
160 017	01125-50816
120 012	01133-51030
120 007	01133-51235
200 002	01153-50804
040 031	01513-50616
140 028	01513-50618
030 011	01513-50822
140 017	01513-50822
190 004	01513-50822
220 005	01513-50822
120 013	01517-51028
150 015	01518-50622
180 011	01518-50822
020 008	01654-50820
050 006	01654-50830
020 003	01674-51032
120 006	01674-51032
200 014	01754-50612
200 012	01754-50622
040 022	01754-50801
100 017	01754-50820
200 020	02054-50050
040 032	02056-50060
140 032	02056-50060
150 016	02056-50060

KEY NO.	PART NO.
150 019	02056-50060
180 016	02056-50060
150 010	02112-50080
120 010	02114-50080
200 007	02114-50080
030 014	02156-50080
140 024	02156-50080
180 012	02156-50080
190 006	02156-50080
120 014	02176-50100
220 008	02751-50080
090 008	03024-50510
130 010	03024-50520
040 024	04011-50180
200 018	04012-50050
160 020	04012-50060
170 017	04012-50060
170 016	04012-50080
150 009	04013-50080
200 005	04013-50080
200 009	04015-50080
200 019	04512-50050
040 033	04512-50060
140 031	04512-50060
150 017	04512-50060
170 011	04512-50060
180 015	04512-50060
030 013	04512-50080
120 011	04512-50080
140 023	04512-50080
180 013	04512-50080
190 007	04512-50080
200 006	04512-50080
120 015	04512-50100
080 013	04612-00190
140 014	04612-00240
020 006	04717-01200
030 010	04724-00100
160 004	04811-00060
150 008	04811-00120
040 004	04811-00150
040 014	04811-00150
020 009	04811-00160
040 005	04811-00200
040 006	04811-00360
110 024	04811-10300
090 004	04811-50300
010 009	05012-00408
050 013	05012-00408
010 010	05012-00609

KEY NO.	PART NO.
010 011	05012-00612
040 008	05012-00612
010 012	05012-01018
160 012	05411-00420
160 021	05525-50600
150 007	05712-00408
010 022	05712-00410
140 005	05712-00525
100 007	05712-00720
110 021	05712-00720
200 015	05712-00720
030 009	06311-55010
010 005	06311-75018
010 006	06311-75045
100 005	06350-00607
110 016	07715-00401
140 008	07715-00403
140 010	07715-03205
040 027	07715-03213
150 020	07811-11210
150 021	07918-00001
140 004	08153-06205
140 003	08240-00001
090 012	09318-88180
130 014	09661-40300
140 034	14911-4275-1
130 015	14971-4275-1
120 019	15001106804
080 015	15021-1424-1
010 016	15021-3366-1
170 004	15021-5616-4
170 010	15021-5624-3
150 018	15108-5728-4
190 010	15109-7336-4
130 008	15121-5385-2
030 012	15221-0175-1
030 003	15221-0337-3
010 007	15221-0338-3
010 008	15221-0339-2
030 004	15221-0349-3
080 003	15221-1324-2
140 015	15221-1632-1
110 028	15221-2336-1
010 015	15221-3361-1
010 013	15221-3365-1
020 005	15221-3375-2
160 008	15221-5166-1
140 013	15221-5547-1
140 011	15221-5569-2
140 012	15221-5574-1

KEY NO.	PART NO.
170 008	15221-5615-1
170 012	15221-5623-5
040 007	15221-5628-2
120 003	15221-6382-4
170 013	15221-6641-1
180 014	15221-8821-1
040 025	15241-3695-2
140 029	15241-5214-1
050 012	15291-0456-2
190 015	15301-3283-0
190 012	15321-7327-1
140 030	15381-5203-0
140 020	15401-5211-2
110 023	15471-2331-1
140 033	15471-4211-1
140 019	15471-5211-1
160 010	15471-5798-1
160 019	15471-6016-2
160 003	15471-9201-1
240 002	15471-9536-1
240 003	15475-6024-2
100 006	15521-1651-1
110 019	15521-2353-1
040 023	15521-3229-1
160 002	15521-5426-1
160 005	15521-5427-1
190 002	15521-7292-1
040 028	15521-7332-1
040 029	15521-7333-1
190 009	15521-7334-1
200 013	15521-7411-1
050 011	15521-9402-1
150 001	15601-5412-1
170 007	15601-5443-1
170 001	15601-5602-1
120 018	16733412040
150 011	17011-5738-3
110 020	19202-2354-1
010 021	19202-3566-1
140 027	84612-6050-0
240 004	C5510-43101
050 007	E5500-04464
110 026	E5500-11302
080 004	E5500-13332
080 005	E5500-13362
080 016	E5500-14232
100 001	E5500-15553
100 008	E5500-16272
110 012	E5500-22142
110 027	E5500-23382

KEY NO.	PART NO.
120 004	E5500-25164
090 005	E5500-33142
010 019	E5500-35152
040 026	E5500-36932
010 024	E5500-39013
140 026	E5500-42412
120 008	E5500-63015
190 013	E5500-73263
010 014	E5500-73342
190 008	E5500-73342
190 016	E5500-74213
150 006	E5610-57151
040 002	E5612-04112
200 004	E5620-64101
160 016	E5753-60015
040 016	E5800-04133
220 010	E5800-12371
240 001	E5800-12371
040 010	E5800-32621
040 012	E5800-32882
040 013	E5800-32912
040 035	E5800-33143
150 012	E5800-57111
150 013	E5800-57211
160 013	E5800-60111
200 003	E5800-64102
200 008	E5800-64422
240 005	E5800-72316
200 017	E5800-72531
190 011	E5800-73011
180 001	E5800-73036
180 005	E5800-73052
180 002	E5800-73415
180 008	E5800-73431
180 004	E5800-73513
180 006	E5800-73521
180 003	E5800-73551
200 011	E5800-74154
180 007	E5800-74252
040 003	E5800-96031
040 015	E5800-96831
110 014	E5800-A0091
010 003	E5900-96021
030 005	E5900-96021
010 004	E5900-96031
020 002	E6200-01623
120 009	E6200-04622
090 009	E6200-14523
140 036	E6200-16213
110 017	E6200-23472

KEY NO.	PART NO.
110 018	E6200-23482
110 022	E6200-24112
020 007	E6200-32112
010 018	E6200-35012
160 009	E6200-51654
170 005	E6200-54172
160 001	E6200-54252
160 011	E6200-57731
160 007	E6200-57922
020 004	E6200-91092
020 001	E6200-A0071
040 034	E6201-32443
180 017	E6201-50619
030 018	E6300-03453
050 003	E6300-04362
050 002	E6300-04542
050 004	E6300-04812
050 005	E6300-04821
040 036	E6300-11912
220 009	E6300-11912
100 002	E6300-15113
110 006	E6300-21162
110 003	E6300-21313
110 008	E6300-21332
110 011	E6300-21353
110 009	E6300-22015
110 010	E6300-22113
110 013	E6300-22312
100 010	E6300-24012
100 011	E6300-24212
100 016	E6300-24251
100 012	E6300-24281
100 015	E6300-24321
100 013	E6300-24361
100 014	E6300-24371
010 023	E6300-35681
010 025	E6300-35692
140 007	E6300-51152
140 018	E6300-52111
130 001	E6300-53004
130 003	E6300-53621
130 002	E6300-53651
170 006	E6300-54231
140 009	E6300-55452
170 002	E6300-56053
170 003	E6300-56122
170 009	E6300-56131
170 019	E6300-56414
170 018	E6300-56481
160 006	E6300-57743

CHASSIS

04.2006

KEY NO.	PART NO.
146 010	12009100010
146 035	12009100020
146 013	12009100030
146 050	12009100040
146 074	12009100050
146 049	12009100060
146 071	12009100080
146 051	12009100110
146 014	12009100120
146 015	12009100130
146 016	12009100140
146 017	12009100150
146 018	12009100160
146 021	12009100190
146 022	12009100210
146 026	12009100230
146 073	12009100240
146 012	12009200040
052 026	12102750200
052 019	12102752301
053 006	12102850200
146 095	12109040060
146 080	12109040250
146 053	12205300040
146 089	12209010100
146 079	12209040020
146 044	12209040030
146 078	12209040070
146 093	12209040150
146 083	12209040780
146 088	12209041221
146 060	12209041960
146 052	12209100070
059 001	12304012001
059 001	12304012002
059 002	12304012021
059 002	12304012030
082A 036	12305150010
082A 037	12305152000
082A 03701	12305152010M
082A 03702	12305152100
124 023	12305152100
082A 020	12305152300
082A 081	12305152501
082A 080	12305152601
082A 004	12305180010
069 020	12305180020
082A 049	12305180020
077 002	12405120034DG
081 023	12405152200DG

KEY NO.	PART NO.
081 009	12405152500DG
101 043	12406602010
102 008	12406642101
085 096	12505240060
086 008	12505240060
086 020	12505240060
086 003	12505243000DG
086 007	12505243500
086 019	12505243500
086 010	12505245300DG
086 011	12505245310
086 012	12505245320
086 013	12505245330
086 014	12505245340
086 015	12505245350
031 010	12507060020
146 004	12509010031
146 094	12609040620
146 082	12609040660
146 081	12609040680
085 001	12705202000DG
063 012	12754101000DG
084 021	12755222000DG
146 087	12759040050
051 024	12902700020
051 030	12902750090
146 028	12909040030
106 001	12936682202
167 039	12937033100
038 011	13022250030
037 006	13022250030
045 006	13022250030
050 002	13022250030
052 006	13022250030
039 024	13267060022
081 025	13267060022
083 015	13267060022
083 035	13267060022
095 049	13307028200
025 005	13424020060
027 007	13424020060
105 012	13424020060
106 033	13424020060
106 034	13424020060
168 077	13424020060
168 077	13424020060
085 055	13602470010DG
085 056	13602470020DG
085 068	13605200011DG
027 035	13651210050

KEY NO.	PART NO.
038 016	13667012020
022 031	13764020030
026 014	13764020030
105 013	13764020030
106 030	13764020030
124 002	14019060050
027 018	14041170080
057 012	14041200080
059 034	14041200080
056 018	14043120060
023 036	14046210300
025 051	14046210300
090 018	14046210300
167 009	14046210300
168 059	14046210300
065 025	14051060030
027 015	14141170050
025 044	14151020120
025 045	14151020130
029 022	14151200040
038 007	14151210090
064 046	14152050160
055 014	14153070020
022 010	14161010110
102 019	14166210440
023 025	14171020050
056 015	14171020050
085 005	14215020020
085 047	14215020020
124 017	14215020020
095 022	14216020051
167 053	14216210380
168 041	14216210380
168 042	14216210380
124 001	14219060010
124 010	14219060031
022 008	14221012381
023 011	14241010040
023 015	14241010040
023 020	14241010050
082 052	14241010050
168 088	14241010050
064 003	14251320150
064 045	14254310080
043 005	14254330180
106 007	14256210040
164 024	14256210040
025 041	14261602070
025 046	14261602090
064 026	14273010050

KEY NO.	PART NO.
043 008	14273170040
038 019	14276010030
054 010	14313010050
054 008	14313010060
054 006	14313010090
022 016	14321018620
029 023	14321200040
057 024	14321200040
029 005	14321202140
029 008	14321202171
030 008	14322420010
030 028	14322420010
038 023	14322420010
057 009	14322420010
057 040	14322420010
128 001	14322420040
095 023	14326160020
102 026	14326210061
094 005	14326210110
027 037	14326510210
095 025	14326510210
166 027	14326510210
095 007	14346110021
095 042	14346110021
022 017	14401010140
022 009	14421012390
106 021	14441010161
037 028	14442180090
050 026	14443120050
033 006	14443140041
043 006	14443140091
056 012	14443270030
056 002	14443272030
083 032	14444080062
065 022	14444120090
081 041	14445100080
084 028	14445140051
085 045	14445140051
091 017	14446010150
101 029	14446213110
124 025	14446213201
036 024	14462162180
105 006	14466220030
025 007	14481112300
022 012	14501030010
025 018	14501410050
025 028	14501410050
025 035	14501410050
026 003	14501410050
065 006	14501410050

KEY NO.	PART NO.
069 013	14501410050
124 022	14501673990
124 022	14501673991
031 001	14502010013M
037 031	14502810074
023 019	14504313301DG
039 011	14505152380
022 027	14511033000
024 025	14511130010DG
051 031	14512730010
101 005	14516582100
101 002	14516602000
106 016	14516682000
106 016	14516682001
095 051	14517015900DG
167 011	14517026800
160 031	14517030030
146 002	14519010040
146 003	14519010050
164 027	14519020980DG
146 031	14519040020
124 016	14519400010
061 001	14553403611M
061 016	14553910010
124 024	14585142410
027 041	14601160011
027 042	14601162200
027 040	14601162230
027 022	14601162300
023 001	14611042102
025 050	14611113000DG
025 027	14611113100
027 039	14611162000DG
027 038	14611162100DG
062 023	14614072501
062 024	14614072600
061 017	14614075002
090 022	14616022000DG
168 090	14621040120
026 018	14621112700DG
025 004	14621113202
168 048	14621201310
168 013	14622100530DG
168 014	14622100540
168 047	14625807230
168 046	14625807930
168 092	14627300120
168 043	14627300140DG
168 045	14627300140DG
168 010	14627300530

KEY NO.	PART NO.
168 003	14628200120
168 004	14628200140
168 086	14628200150
168 087	14628202600
168 091	14628302800
168 009	14628303200
063 032	14734070100DG
065 001	14734320011M
081 041	14801020070
082 035	14801020070
082A 035	14801020070
082 059	14869352050
054 001	14883010011
054 011	14883010051
054 012	14883010060M
054 014	14883010080
054 015	14883010090
054 015	14883010090
055 019	14883020022M
056 007	14883100020
056 011	14883102200
064 008	14884100031DG
064 051	14884110090
085 041	14885142300
102 022	14916232220
102 024	14916232220
102 023	14916232230
024 035	15001030010
124 022	15001673990
045 023	15002810104
061 002	15003701000
082 047	15004070010
082A 047	15004070010
039 030	15004072501
062 005	15004072602
039 034	15004073200
062 004	15004073501
082 048	15005152380
082 055	15005153000DG
082 058	15005153010
124 023	15005153010
039 033	15006210111
039 032	15006252201
082A 048	15006252220
039 000	15006253102DG
082 056	15015082412
082 057	15015082422
064 047	15024320020
054 002	15033010010
085 062	15062470050

KEY NO.	PART NO.
023 023	15081020070
025 040	15131023270
025 043	15131023290
025 048	15131023320
054 032	15133060030
056 005	15133102020
031 021	15134080020
056 006	15143100010M
059 033	15184060060
059 028	15184060080DG
065 002	15184072401
069 016	15184322500
093 035	15186070020
102 025	15186213200
099 001	15186214401
095 026	15187221070
160 020	15187455520
146 090	15189030060
146 091	15189030070
085 060	15189240010
022 029	15191010040
093 037	15196040050
099 003	15221120010DG
099 003	15221120011DG
057 032	15231013102
023 022	15231040150
101 007	15236582300
106 014	15236682031
022 011	15241022521
030 003	15241220010
057 005	15241220010
044 007	15242360050
044 020	15242360050
051 017	15242360050
026 015	15251020040
085 058	15252470010
067 041	15264362200
067 044	15264363200
082 051	15265150020
082 036	15265152002DG
082 020	15265152301
095 043	15276040020
027 021	15441170051
038 020	15441170051
030 016	15441230050
101 036	15446230010
101 037	15446232320
101 038	15446232330
101 039	15446232340
101 040	15446232350

KEY NO.	PART NO.
022 005	15541000000
022 002	15541012221
022 006	15541012230
026 002	15585060110
023 016	15601040104
027 004	15601160083
027 027	15601160083
027 032	15601162305DG
027 014	15601162506DG
030 020	15601300010
030 015	15601320011
057 013	15601320011
030 012	15601320073
056 023	15601320073
032 016	15602060023
032 016	15602060024
033 012	15602080093
033 019	15602080093
033 025	15602080093
033 015	15602080224
034 012	15602160083
036 025	15602200040
037 021	15602230018M
037 022	15602230026M
037 013	15602230074
037 018	15602230085
037 025	15602230085
045 018	15602230085
037 011	15602230124
037 010	15602231600
052 003	15602231600
052 014	15602231600
053 003	15602231610
038 01302	15602232002
038 001	15602250015M
038 006	15602250025
038 013	15602252200
038 01301	15602252300
044 017	15602430134
044 023	15602430134
044 018	15602430154
044 024	15602430154
044 019	15602430173
045 010	15602590014M
045 008	15602590124
050 001	15602650021M
050 007	15602652202
045 021	15602800044
050 012	15602870023
037 027	15602900063

KEY NO.	PART NO.
045 019	15602900063
056 014	15603100035
056 016	15603100045
057 026	15603102105
057 021	15603140010
057 008	15603142503DG
057 016	15603142910
077 033	15603160025
055 024	15603162100DG
058 004	15603200010
059 007	15604010025
059 009	15604010060
059 027	15604040010DG
059 025	15604042101DG
071 021	15605070070
077 001	15605110054
082 004	15605150015
082A 074	15605150031
086 004	15605260014
086 016	15605260014
100 003	15606010154
090 033	15606030030
090 047	15606040227
093 022	15606082203
093 031	15606092013
093 034	15606092103
095 050	15606112600
095 004	15606300030
083 012	15606300310
101 006	15606582204
108 008	15606642103
165 016	15606642103
102 016	15606642400
105 007	15606642400
102 016	15606642401
105 007	15606642401
102 001	15606642500
102 002	15606642520
102 003	15606642530
106 031	15606660040
106 028	15606662120
146 024	15609030046
157 005	15609511000DG
037 015	15612230026M
083 033	15615180013
083 013	15615182016M
083 016	15615182301
093 032	15616092003DG
101 048	15616603100
101 009	15616604111

KEY NO.	PART NO.
105 010	15616743300
146 027	15619030040
071 017	15640040000
083 036	15640090001
022 028	15641030022
023 033	15641040160
023 012	15641040180
026 013	15641113601
026 007	15641113702DG
027 030	15641160013
030 002	15641320020
033 001	15642080015
033 020	15642080022
033 016	15642080062
033 003	15642080080
033 013	15642080090
032 023	15642120031
034 001	15642140011
034 002	15642140023
034 010	15642160022
034 016	15642160032
033 008	15642160041
034 018	15642160041
034 007	15642170012
036 009	15642200032
036 010	15642210012
036 011	15642210024
036 002	15642210050
036 007	15642210060
036 016	15642212003
036 019	15642212030
036 021	15642212040
036 018	15642212050
036 022	15642212060
036 023	15642212070
036 017	15642212080
036 026	15642212090
037 008	15642230033M
037 009	15642230043M
037 001	15642230050
037 002	15642230060
038 010	15642260013M
039 001	15642300017M
043 001	15642400019M
044 001	15642430013
044 003	15642430021
044 004	15642430032
044 005	15642430042
044 009	15642430053
044 011	15642430062

KEY NO.	PART NO.
044 014	15642430073
044 021	15642430082
044 006	15642430110
044 025	15642500012
045 001	15642590013
045 003	15642590024M
045 005	15642590034M
047 001	15642610040
051 001	15642730015
051 015	15642730052
051 012	15642730072
052 001	15642750014
052 005	15642750033M
052 013	15642752103
053 008	15642850024DG
050 015	15642872002DG
054 020	15643010012
054 022	15643010021
054 023	15643010031
054 025	15643010043M
054 027	15643010052
054 028	15643010062
054 028	15643010062
054 013	15643030013M
054 018	15643030022
054 007	15643030040
055 020	15643032001
055 001	15643040015M
055 002	15643040025M
055 012	15643070032
055 013	15643072001
057 025	15643102104
057 029	15643102202DG
057 030	15643102303DG
056 001	15643102602
056 004	15643102611
057 003	15643142402
055 026	15643160020
064 005	15644312003DG
027 046	15645120010
162 031	15645120010
077 003	15645120032DG
083 034	15645152904
081 006	15645153000
085 044	15645220011
084 027	15645220020
085 095	15645220020
084 025	15645250010
084 060	15645250010
095 021	15646300083

KEY NO.	PART NO.
095 005	15646300120
099 007	15646502001
164 017	15646542130
167 00801	15646542130
101 008	15646584121
102 008	15646642106
030 01901	15651302105
053 002	15652852105DG
056 024	15653102104
055 023	15653162006
033 009	15662090013
033 022	15662090022
033 030	15662090032
032 018	15662130012
032 024	15662130021
032 025	15662130031
047 010	15662620050
051 006	15662730032
038 017	15662832004
037 034	15662912104DG
057 001	15663142402
167 008	15666562003
167 00802	15666562040
164 018	15666562110
102 021	15666642000
026 006	15681110032
030 024	15681322000
030 026	15681322102
033 014	15682090020
033 026	15682090020
054 024	15683020010
084 098	15685100020DG
082 002	15685152603
082A 002	15685152603
085 022	15685252204
085 023	15685252801
106 037	15686682121
108 005	15686722101
102 013	15756230100
102 014	15756230110
106 019	15816212900
108 011	15816212900
165 017	15816212900
160 005	15817401120DG
160 006	15817401130
161 013	15817401130
162 016	15817401130
160 007	15817401140DG
160 016	15817421020
161 014	15817421020

KEY NO.	PART NO.
162 017	15817421020DG
036 015	15933070521
094 006	15966250010
094 016	15966250010
094 011	15966250020DG
094 022	15966250020DG
094 010	15966250030DG
034 021	15972180010
036 012	15972180010
069 017	15975010011M
023 037	15991040050
025 052	15991040050
168 060	15991040050
034 019	15992180010
022 001	16001032000
022 003	16001032100
022 020	16001032200DG
022 020	16001032201DG
022 004	16001032300DG
022 030	16001032500DG
023 010	16001040020
168 089	16001040110
023 031	16001040130
023 004	16001042202
024 011	16001051991DD
025 003	16001112201
026 001	16001113100DG
099 014	16001120041
099 012	16001122002DG
027 003	16001162101
030 014	16001200080
027 001	16001220000DG
024 017	16002010150
045 015	16002810012
038 022	16002842002
037 033	16002912000
090 039	16003300012
090 037	16003302100
062 001	16004072000
063 020	16004102800DG
067 017	16004340040
085 017	16005252000DG
085 018	16005252500DG
091 031	16006011002DG
090 005	16006020680
090 016	16006022000DG
090 023	16006022100
090 042	16006023800DG
090 066	16006024710
090 013	16006052104DG

KEY NO.	PART NO.
092 045	16006103300DG
092 046	16006103410DG
090 001	16006201001BR
092 055	16006202022DG
092 052	16006202031DG
092 053	16006202042DG
092 054	16006202051DG
092 001	16006202102BR
092 056	16006203022DG
092 057	16006203031DG
092 058	16006203042DG
092 059	16006203051DG
092 005	16006203102BR
094 014	16006265400DG
094 015	16006265500DG
090 032	16006301043
095 001	16006303204DG
102 045	16006305100DG
100 001	16006522001
100 002	16006522040
101 003	16006604100
106 057	16006680020
164 010	16007010351
164 011	16007010361
164 020	16007010410
164 021	16007010420
166 001	16007010522
165 028	16007013030
164 025	16007018100DG
164 026	16007019100DG
166 076	16007020500
166 077	16007020600
164 016	16007023300
166 083	16007026100
037 023	16007060020
045 016	16007060020
100 005	16008010080
168 058	16008200041
168 058	16008200042
168 081	16008200071
168 025	16008302701
168 007	16008302900
168 031	16008303101
157 001	16009400011DG
157 012	16009400040
157 010	16009402300
062 022	16024072700
023 034	16071040031
157 010	16204100150
157 001	16209400071DG

KEY NO.	PART NO.
061 015	16303910020
050 009	16322652000
051 028	16322730030
051 029	16322730040
051 021	16322732000
050 019	16322880020
056 025	16323040010
056 026	16323040020
146 064	16329040020
029 021	16341200020M
029 007	16341202130
030 001	16341322000
036 027	16342212050
047 008	16352620010
054 004	16353030011
054 035	16353030020
054 005	16353030050
054 029	16353060010
054 030	16353060020
055 010	16353070012
055 011	16353070021
095 041	16421040010
167 016	16421040010
029 002	16441202020
029 003	16441202030
029 004	16441202040
029 006	16441202050
029 010	16441202101
090 078	16491163701DG
033 028	16492092001
034 014	16492092001
082 066	16495100010
094 002	16496252003DG
094 001	16496252202DG
090 077	16501020070
029 012	16501210010M
029 020	16501210050
032 010	16502070020
032 007	16502070110
032 012	16502070120
086 055	16505240300
124 024	16505240310
085 053	16505245500DG
085 039	16505245510
085 040	16505245520
085 042	16505245530
108 010	16506305200
108 001	16506722100
081 009	16582632602DG
024 006	16601014400

KEY NO.	PART NO.
022 019	16601032100DG
023 002	16601042160
023 003	16601042340
099 020	16601042340
029 017	16601200030
029 018	16601210020M
029 001	16601212002
030 025	16601220000
030 011	16601220020
056 021	16601220020
030 019	16601302000
030 01902	16601302010
023 040	16601850160
168 063	16601850160
168 064	16601850160
038 029	16602250010
045 025	16602250020
037 038	16602250040
039 020	16602332011M
052 009	16602750050
053 010	16602850020
053 010	16602850021
054 000	16603022000
054 019	16603022100
055 015	16603070010
029 013	16604610020
029 019	16604610020
083 017	16605182000
086 004	16605260010
086 016	16605260010
093 016	16606062602DG
093 016	16606062603DG
167 041	16606070031
100 057	16606212210
095 030	16606300030
095 032	16606300050
095 027	16606510210
095 055	16606510210
163 015	16606510210
167 042	16606510210
165 013	16606691000
165 014	16606691080
105 001	16606702100
105 015	16606742301
160 017	16607202100
160 018	16607202200
160 019	16607202300
160 011	16607425821
167 043	16607441030
165 004	16608103100

KEY NO.	PART NO.
168 016	16608303501
168 080	16608306101DG
157 004	16609400020DG
101 027	16626582402
106 054	16626692100
065 018	16704020020
062 011	16704070080
064 031	16704110060
064 066	16704110121
064 020	16704112000
064 021	16704112010
064 022	16704112110
064 048	16704112120
066 045	16704130060
066 014	16704130080
064 023	16704310030
065 014	16704310040
064 027	16704310160
064 025	16704320020
066 031	16704320030
064 028	16704320050
066 023	16704330180
065 015	16704332101
065 016	16704332111M
065 017	16704332220
066 001	16704340010M
066 002	16704340020
066 007	16704340030
066 015	16704340040
067 034	16704340070
067 020	16704340130M
067 030	16704340150
065 007	16704362201
065 008	16704362211M
065 009	16704362221
067 035	16709510080
023 024	16731040130
031 003	16733412032
067 036	16734074000
067 068	16734074101
067 069	16734074201
066 018	16734130080
066 017	16734340050
066 035	16734340060
067 014	16734340080
066 011	16734342000M
066 013	16734342100M
066 025	16734350010
066 026	16734350020
075 006	16735050601

KEY NO.	PART NO.
076 014	16735061400
077 008	16735070080
077 009	16735070090
077 012	16735070120
077 011	16735071100
077 011	16735071101
128 014	16735080010
128 006	16735082100
128 006	16735082101
128 007	16735082200
128 007	16735082201
128 008	16735082300
128 008	16735082301
128 081	16735088100
128 081	16735088101
128 081	16735088102
128 082	16735088201
128 082	16735088202
128 082	16735088203
128 083	16735088801
128 083	16735088802
128 083	16735088803
081 024	16735100010
081 026	16735100020
081 023	16735100070
082 002	16735102200
082A 002	16735102200
128 010	16735122100DG
128 011	16735122200DG
128 002	16735122300DG
084 024	16735222101DG
084 024	16735222102DG
085 096	16735240060
086 008	16735240060
086 020	16735240060
086 003	16735243000DG
086 007	16735243500
086 019	16735243500
086 010	16735245300DG
086 011	16735245311
086 012	16735245321
086 014	16735245341
086 013	16735245351
075 005	16735304100
095 028	16736300010
062 006	16744072800
063 030	16744100050
063 031	16744100060
063 001	16744102201DG
064 001	16744310010

KEY NO.	PART NO.
064 004	16744312000DG
064 014	16744313000
128 018	16745080170
128 018	16745080171
128 018	16745080171
082 008	16745152330
086 055	16745240300
086 001	16745252000DG
085 080	16745254000
085 080	16745255000
086 002	16745256000DG
102 004	16746642300
167 032	16747010661
160 001	16747012101DG
031 018	16751850222
057 014	16753143001
057 019	16753143200DG
057 022	16753143600DG
057 022	16753143601DG
059 035	16754042100DG
059 032	16754042201DG
062 008	16754070010
062 009	16754070020
062 010	16754070030
062 007	16754072700
102 027	16756214701
095 035	16756300010
095 020	16756300072
025 017	16791020020
023 032	16791040050
023 045	16791040060
024 024	16791052432
024 020	16791054101DG
024 003	16791054212DD
024 004	16791054222DD
024 023	16791054312
024 025	16791054392DG
024 002	16791054503
024 040	16791054600DD
024 001	16791132005
024 001	16791132006
024 001	16791132007
027 009	16791162004DG
027 055	16791220010
063 012	16794101000DG
090 045	16796024601DG
092 036	16796043800DG
092 066	16796043900DG
106 024	16796683100
168 019	16798303700

KEY NO.	PART NO.
025 004	16991024100
065 005	16991024200
023 047	16991040020
023 027	16991042103DG
024 005	16991052402
024 021	16991054320
023 017	16991113131
023 017	16991113132
023 026	16991142003DG
027 011	16991160010
090 057	16991600080
031 020	16992011110
050 014	16992190062
053 005	16992190101
165 023	16992604120
166 026	16992604120
050 011	16992872500
059 036	16994011990
059 020	16994043203DG
128 090	16995152360
086 073	16995252601
090 019	16996010010DG
090 020	16996010020DG
090 006	16996010280
091 007	16996013411
091 008	16996013421
090 044	16996013431
092 044	16996013431
091 011	16996013441
091 010	16996013450
092 027	16996013501DG
092 028	16996013601DG
090 051	16996015511
090 056	16996015530DG
090 002	16996020600
090 003	16996020650DG
090 004	16996020662DG
090 043	16996024552
090 067	16996024721
164 009	16996043100
164 015	16996043100
092 034	16996043600
092 035	16996043700
090 075	16996054501DG
093 020	16996082301
093 023	16996082404DG
093 023	16996082404DG
090 028	16996130024
090 028	16996130025
091 035	16996204171

KEY NO.	PART NO.
091 013	16996204200DG
091 014	16996204301
091 015	16996204401
090 055	16996204570
100 055	16996212200
095 002	16996300200
095 003	16996300210
099 002	16996503000
099 002	16996503001
166 017	16996549160
160 002	16997010012
160 003	16997010021
161 004	16997010061
163 013	16997010061
161 011	16997010081
161 012	16997010091
162 001	16997010151
162 002	16997010161
162 003	16997010172
162 005	16997010180
162 006	16997010190DG
162 007	16997010210
162 011	16997010220
162 012	16997010230
162 013	16997010240
162 019	16997010251
163 001	16997010260
163 002	16997010271
163 003	16997010282
162 032	16997010290
163 010	16997010310
163 011	16997010322
163 012	16997010331
164 008	16997010340
165 001	16997010515
165 001	16997010516
166 002	16997010531
166 003	16997010541
166 012	16997010550
166 013	16997010560DG
166 021	16997010582
095 013	16997010640
095 019	16997010654
167 033	16997010672
167 034	16997010682
167 035	16997010693
166 081	16997010720
166 082	16997010730
095 036	16997010910
162 034	16997011110

KEY NO.	PART NO.
167 050	16997011770
164 007	16997011970
164 006	16997011981
164 005	16997011991
161 017	16997012300
161 018	16997012400
165 026	16997013020
166 025	16997017500
160 023	16997017600
160 024	16997017610
160 025	16997018011
162 040	16997020000
161 001	16997020031
161 002	16997020041
161 003	16997020051
161 010	16997020071
167 012	16997020630
162 041	16997021000
167 047	16997021881
165 038	16997021930
164 003	16997021950
165 019	16997021950
027 059	16997021960
167 045	16997021960
165 022	16997021980
165 021	16997021990
165 021	16997021991
160 015	16997022200
162 004	16997022501DG
162 020	16997022601DG
162 020	16997022602DG
162 021	16997022701DG
162 021	16997022702DG
162 024	16997022800
162 024	16997022810
162 034	16997022820
162 025	16997022900
162 025	16997022910
164 001	16997023100
164 002	16997023200
160 004	16997023900DG
165 003	16997024200DG
165 006	16997024300
165 007	16997024401
165 008	16997024500
165 009	16997024601
165 010	16997024700
166 015	16997024700
165 011	16997024801
165 011	16997024802

KEY NO.	PART NO.
165 015	16997025100DG
165 020	16997025200DG
166 004	16997025501
166 009	16997025600DG
166 010	16997025701DG
166 014	16997025800
166 016	16997025900
165 039	16997026800
167 022	16997027202
167 023	16997027302
167 024	16997027402
167 031	16997027602
160 030	16997027700
167 037	16997027700
167 051	16997027801DG
167 052	16997027901DG
167 021	16997028102
095 049	16997028201
166 030	16997028500
167 005	16997028600
162 023	16997028900
162 02301	16997028990
166 032	16997030010
166 033	16997030020
166 039	16997030040
160 027	16997032000
160 028	16997033400
160 02801	16997034100
160 02802	16997035100
162 030	16997301081
168 066	16998200021
168 053	16998200030
168 053	16998200030
168 098	16998200110
168 099	16998200120
168 021	16998201110
168 076	16998201771
167 053	16998201780
168 041	16998201780
168 078	16998201880
168 018	16998202101
168 018	16998202102
168 036	16998300060
168 035	16998300090
168 028	16998302701
168 028	16998302702
168 029	16998302805
168 030	16998302901
168 02901	16998303000
168 017	16998303600

KEY NO.	PART NO.
168 008	16998303700
146 011	16999030032
071 025	17405070130
091 009	17406204101BR
166 024	17407017400
165 030	17407019990
165 035	17407021660
165 035	17407021661
165 025	17407021910
165 012	17407024900
128 016	17407362300
167 005	17667028600
160 031	17677030030
075 002	17680070000
054 025	17683010040M
022 025	17686641110
162 020	17687022601DG
162 021	17687022701DG
165 036	17687025000
165 040	17687025300
168 053	17688200050
168 101	17688202100
168 102	17688202200
146 092	17689030080
146 019	17689100170
146 025	17689200050
038 027	17702844701DG
086 001	17705252001DG
085 080	17705254000
085 081	17705254100
085 082	17705254200
085 083	17705254300
085 085	17705254400
085 089	17705254500
085 086	17705254600
085 088	17705254700
086 002	17705256001DG
099 004	17706210021
167 010	17977026700
157 012	17979291990
025 001	17991112002
032 015	17991304510
065 004	17994360221
069 012	17994360221
064 034	17994420060
086 050	17994500591
069 001	17995010013M
069 008	17995010081M
069 011	17995010110
069 015	17995010150

KEY NO.	PART NO.
069 021	17995010210
069 022	17995010220
069 000	17995019100
070 001	17995020010M
070 002	17995020021M
070 003	17995020030
070 005	17995020200M
070 006	17995020200M
071 001	17995030010M
071 003	17995030030
071 004	17995030040
071 005	17995030050M
071 006	17995030060M
071 007	17995030070
071 015	17995031500
073 005	17995040011
073 012	17995040121
073 013	17995040130
073 018	17995040140
073 015	17995040150
073 016	17995040160
073 017	17995040170
073 011	17995041100
076 003	17995041200
073 014	17995041400
076 001	17995041500
075 003	17995050030
069 009	17995050090
075 001	17995050100
076 005	17995060050
076 011	17995060060
076 011	17995060061
076 012	17995060120
076 015	17995060150
076 016	17995060160
076 009	17995061300
076 018	17995061800
077 014	17995070140
077 015	17995070150
077 017	17995070170
077 018	17995070180
077 020	17995070200
077 021	17995070211
077 022	17995070220
077 024	17995070241
077 027	17995070270
128 027	17995070270
077 034	17995070340
077 080	17995070800
077 023	17995072300

KEY NO.	PART NO.
128 009	17995080091
128 015	17995080151
128 015	17995080152
128 017	17995080171
128 092	17995080201
128 089	17995080890
128 094	17995080931
128 096	17995080960
128 096	17995080961
128 097	17995080970M
082A 008	17995152330
084 099	17995220990
095 008	17995303802DG
095 008	17995303803DG
025 012	17997010601DG
100 069	17997013800
095 044	17997021770
025 008	17997026900DG
095 015	17997027101DG
146 087	19629040050
027 045	21306010180
100 068	34522812400
023 039	35602010150
025 055	35602010150
082 071	35602010150
166 022	35602010150
168 062	35602010150
168 067	35602010150
095 045	35605033020
099 005	35605033020
160 033	35605033020
023 038	35652030040
168 061	35652030040
027 016	36104400180
101 053	36142612400
050 017	36212110030
090 026	36252120070
061 018	36313530081
090 024	36401090020
050 022	36402200040
090 040	36423600080
059 021	36461020111
092 050	36502010060
027 008	36502200050
101 017	36502702140
105 011	36502702140
165 005	36522732400
025 006	36523102201
051 003	36531080070
025 036	36573112000

KEY NO.	PART NO.
057 004	36707030080
057 015	36707030080
090 038	36753302201DG
024 036	37371560090
024 036	37371560090
025 054	37371720090
106 010	37371720090
025 032	37481850030
168 037	37481850030
124 019	37614120021
168 085	37681850160
168 100	37681850160
102 043	62819200010
075 011	76500800100
051 027	79642010080
071 018	K2310040070
062 002	P1177012600
085 057	S0973063031
157 011	S2169908420
165 031	S7557010550
146 057	T0019010020
102 029	V1112604030
105 002	V1112604030
105 016	V1112604030
095 048	V1112605030
100 004	V1112606025
071 022	V1112606040
167 013	V1122604012
077 030	V1122605012
167 014	V1122605016
161 005	V1122605035
163 004	V1122605035
163 014	V1122605035
160 026	V1122606016
161 019	V1122606016
161 016	V1122606020
162 008	V1122608030
162 026	V1122608040
095 048	V1212605016
160 008	V1212606016
162 018	V1212606016
160 009	V1212606020
093 033	V1222606016
090 030	V1222606020
101 052	V1222606020
059 010	V1222608020
090 089	V1222608020
165 018	V1222806016
166 008	V1222806016
166 011	V1222806016

KEY NO.	PART NO.
165 037	V1902604008
168 103	V1902604008
085 059	V2003616070
039 012	V2004612100
157 006	V2004612100
065 010	V2004616040
082 062	V2012610025
090 049	V2013608016
026 010	V2013608025
030 006	V2013608025
030 004	V2013608030
037 036	V2013608035
092 048	V2013608035
061 008	V2013608045
037 019	V2013608050
073 006	V2013608050
083 030	V2013608085
077 026	V2013608110
085 063	V2013610030
024 007	V2013610065
069 004	V2013610070
055 005	V2013610120
055 006	V2013610130
090 072	V2013612025
094 017	V2013612025
039 025	V2013612030
039 013	V2013612035
039 004	V2013612040
065 023	V2013612040
157 007	V2013612040
031 005	V2013612045
039 027	V2013612045
039 002	V2013612080
085 019	V2013612170
063 013	V2013614035
085 066	V2013614035
039 005	V2013614040
039 014	V2013614040
085 024	V2013614040
085 026	V2013614040
039 028	V2013614045
039 006	V2013614050
058 001	V2013616030
084 010	V2013616035
085 002	V2013616035
094 003	V2013616035
066 048	V2014608025
094 008	V2014612075
094 019	V2014612075
065 020	V2014616050

KEY NO.	PART NO.
063 017	V2023610050
063 002	V2023612050
061 014	V2024610030
063 009	V2024612035
071 008	V2024612050
066 005	V2024614090
062 032	V2034612090
090 068	V2053606025
090 010	V2053606035
082A 014	V2053606050
064 011	V2113606010
128 012	V2113606012
102 020	V2113606012
105 014	V2113606012
105 009	V2113606016
102 018	V2113606020
082 006	V2113606035
082 014	V2113606035
082A 006	V2113606035
082 006	V2113606040
082A 006	V2113606040
108 012	V2123606012
168 057	V2123606012
160 014	V2123606020
024 012	V2123806012
024 012	V2123806012
095 014	V2123806016
095 016	V2123806016
095 047	V2123806016
077 031	V2173608012
022 018	V2173608016
022 021	V2173608016
026 008	V2173608016
027 031	V2173608016
032 017	V2173608016
037 014	V2173608016
050 016	V2173608016
056 017	V2173608016
057 017	V2173608016
059 026	V2173608016
063 033	V2173608016
070 004	V2173608016
071 014	V2173608016
075 008	V2173608016
082A 073	V2173608016
082A 076	V2173608016
090 009	V2173608016
099 013	V2173608016
106 008	V2173608016
106 055	V2173608016

KEY NO.	PART NO.
025 049	V2173608020
027 010	V2173608020
027 048	V2173608020
029 011	V2173608020
039 031	V2173608020
050 004	V2173608020
057 027	V2173608020
061 009	V2173608020
077 029	V2173608020
090 027	V2173608020
167 040	V2173608020
024 030	V2173608025
025 053	V2173608025
038 026	V2173608025
059 029	V2173608025
067 031	V2173608025
082 054	V2173608025
090 074	V2173608025
093 017	V2173608025
168 094	V2173608025
023 029	V2173608030
102 046	V2173608030
106 009	V2173608030
064 009	V2173608040
069 002	V2173608040
081 040	V2173608040
075 004	V2173608045
081 040	V2173608045
037 016	V2173608050
077 010	V2173608050
081 043	V2173608055
168 022	V2173608060
045 009	V2173610020
053 007	V2173610020
082 023	V2173610020
082A 023	V2173610020
054 016	V2173610025
054 026	V2173610025
055 025	V2173610025
056 009	V2173610025
055 003	V2173610030
055 009	V2173610030
082A 040	V2173610030
069 005	V2173610035
055 004	V2173610060
069 019	V2173610065
167 004	V2173612030
038 028	V2183608016
043 007	V2183608016
057 018	V2183608016

KEY NO.	PART NO.
085 069	V2183608016
091 006	V2183608016
092 033	V2183608016
092 037	V2183608016
093 024	V2183608016
106 020	V2183608016
106 022	V2183608016
023 021	V2183608020
025 002	V2183608020
038 002	V2183608020
063 021	V2183608020
090 036	V2183608020
090 046	V2183608020
090 076	V2183608020
091 032	V2183608020
092 047	V2183608020
095 006	V2183608020
095 009	V2183608020
095 012	V2183608020
095 033	V2183608020
100 058	V2183608020
164 028	V2183608020
168 020	V2183608020
023 030	V2183608025
025 034	V2183608025
045 011	V2183608025
063 021	V2183608025
090 041	V2183608025
168 071	V2183608025
106 041	V2183608030
166 023	V2183608030
100 070	V2183608035
168 024	V2183608040
168 054	V2183608055
045 012	V2183608065
024 014	V2183610025
062 016	V2183610025
081 008	V2183610025
094 007	V2183612025
024 013	V2183808025
024 026	V2183808025
022 024	V2193606016
022 032	V2193606016
090 034	V2193606016
091 036	V2193606016
092 026	V2193606016
093 033	V2193606016
102 044	V2193606016
090 065	V2193606020
164 022	V2193606020

KEY NO.	PART NO.
023 028	V2193606025
090 068	V2193606025
164 012	V2193606025
102 006	V2313605012
091 016	V2323606016
102 015	V2323606016
061 010	V2512608025
031 011	V2513408020
050 025	V2513408020
062 017	V2513410020
031 016	V2513412035
043 003	V2513412035
031 017	V2513412045
043 002	V2513414035
043 009	V2513416035
084 012	V2513416035
094 025	V2513416035
031 015	V2514410025
102 031	V3002600040
105 004	V3002600040
105 018	V3002600040
024 038	V3002600060
024 038	V3002600060
026 016	V3002600060
053 009	V3002600060
090 012	V3002600060
099 006	V3002600060
162 015	V3002600060
164 014	V3002600060
166 007	V3012600040
157 003	V3022600120
026 012	V3042600080
027 043	V3042600080
027 056	V3042600080
030 005	V3042600080
030 007	V3042600080
030 013	V3042600080
038 003	V3042600080
037 037	V3042600080
050 005	V3042600080
050 023	V3042600080
053 004	V3042600080
056 022	V3042600080
064 010	V3042600080
066 049	V3042600080
092 049	V3042600080
095 024	V3042600080
095 046	V3042600080
099 010	V3042600080
164 031	V3042600080

KEY NO.	PART NO.
024 010	V3042600100
071 024	V3042600100
090 025	V3042600100
090 062	V3042600120
061 011	V3043600080
073 007	V3043600080
076 019	V3043600080
162 010	V3043600080
162 029	V3043600080
029 014	V3043600100
062 019	V3043600100
077 013	V3043600100
128 026	V3043600100
085 064	V3043600100
039 003	V3043600120
039 016	V3043600120
085 020	V3043600120
094 020	V3043600120
157 009	V3043600120
039 015	V3043600140
157 015	V3043600140
157 015	V3043600140
058 003	V3043600160
084 013	V3043600160
085 067	V3043600160
094 026	V3043600160
091 012	V3052600080
100 067	V3052600080
065 021	V3052600160
085 091	V3202600180
085 091	V3212600180
027 019	V3232600100
059 004	V3232600100
067 037	V3232600140
037 040	V3342600100
045 041	V3342600100
050 027	V3342600100
053 021	V3342600100
168 015	V3343600100
168 095	V3343600100
031 004	V3343600120
067 066	V3343600160
162 038	V3402700060
162 033	V3402700080
091 018	V3501100060
090 050	V3802600080
160 032	V3802600080
164 023	V3802600080
102 030	V4011600040
105 003	V4011600040

KEY NO.	PART NO.
105 017	V4011600040
166 006	V4011600040
024 037	V4011600060
024 037	V4011600060
026 017	V4011600060
053 019	V4011600060
071 023	V4011600060
082A 015	V4011600060
162 014	V4011600060
038 004	V4011600080
038 008	V4011600080
050 006	V4011600080
050 024	V4011600080
061 012	V4011600080
077 032	V4011600080
083 031	V4011600080
128 098	V4011600080
128 098	V4011600080
099 011	V4011600080
162 009	V4011600080
162 028	V4011600080
164 030	V4011600080
024 008	V4011600100
029 015	V4011600100
054 003	V4011600100
055 007	V4011600100
062 018	V4011600100
063 018	V4011600100
069 003	V4011600100
077 016	V4011600100
082 061	V4011600100
128 024	V4011600100
168 033	V4011600100
168 052	V4011600100
031 007	V4011600120
039 007	V4011600120
039 017	V4011600120
039 026	V4011600120
062 033	V4011600120
063 004	V4011600120
065 024	V4011600120
071 009	V4011600120
085 021	V4011600120
090 061	V4011600120
090 073	V4011600120
094 009	V4011600120
094 018	V4011600120
157 008	V4011600120
039 008	V4011600140
039 018	V4011600140

KEY NO.	PART NO.
063 014	V4011600140
066 006	V4011600140
085 027	V4011600140
085 065	V4011600140
157 014	V4011600140
157 014	V4011600140
058 002	V4011600160
065 011	V4011600160
084 011	V4011600160
085 003	V4011600160
085 061	V4011600160
094 004	V4011600160
085 090	V4011600180
085 097	V4011600180
092 061	V4111600040
102 032	V4111600040
105 005	V4111600040
105 019	V4111600040
166 005	V4111600040
024 039	V4111600060
024 039	V4111600060
027 005	V4111600060
027 028	V4111600060
030 018	V4111600060
053 020	V4111600060
086 071	V4111600060
090 011	V4111600060
164 013	V4111600060
026 011	V4111600080
027 012	V4111600080
027 044	V4111600080
030 009	V4111600080
030 029	V4111600080
038 005	V4111600080
038 009	V4111600080
038 024	V4111600080
056 019	V4111600080
057 010	V4111600080
057 041	V4111600080
090 048	V4111600080
162 027	V4111600080
164 029	V4111600080
024 009	V4111600100
027 017	V4111600100
027 025	V4111600100
037 041	V4111600100
045 042	V4111600100
050 028	V4111600100
053 022	V4111600100
059 006	V4111600100

KEY NO.	PART NO.
077 007	V4111600100
090 014	V4111600100
168 051	V4111600100
168 093	V4111600100
090 060	V4111600120
094 024	V4111600120
067 045	V4111600140
157 013	V4111600140
168 050	V4111600140
168 096	V4111600140
077 005	V4111600160
128 005	V4111600160
086 005	V4111600160
086 017	V4111600160
090 007	V4111600160
085 087	V4111600180
057 006	V4111600200
027 006	V5001920020
027 026	V5001920020
027 029	V5001920020
029 009	V5001920020
030 017	V5001920020
038 025	V5001920020
056 020	V5001920020
059 005	V5001920020
093 036	V5001920020
086 072	V5001925015
027 020	V5001925020
030 010	V5001925020
030 030	V5001925020
052 011	V5001925020
057 011	V5001925020
057 042	V5001925020
090 052	V5001925020
090 015	V5001925025
052 010	V5001930025
056 013	V5001930025
067 038	V5001932030
090 008	V5001940025
085 092	V5001940035
038 014	V5111006036
057 002	V5111008050
037 026	V5201006016
045 020	V5201006016
062 031	V5201010020
031 013	V5201010022
039 009	V5201010022
043 004	V5201010022
066 004	V5201012020
063 015	V5502040093

